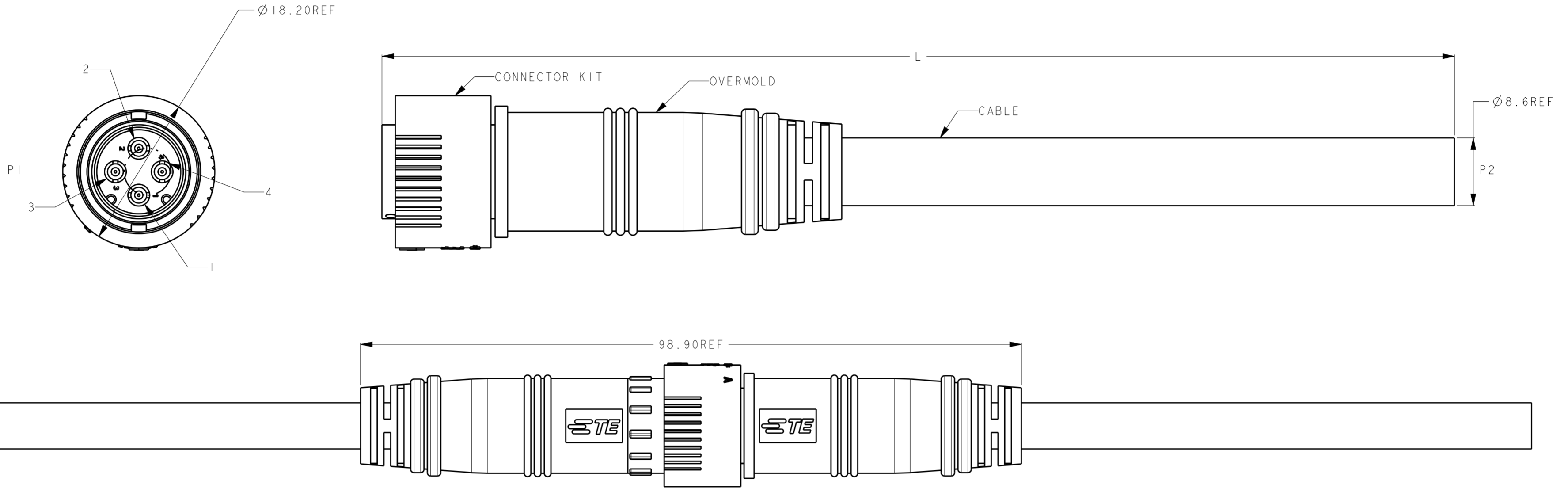


THIS DRAWING IS UNPUBLISHED. RELEASED FOR PUBLICATION 20
 © COPYRIGHT 20 BY - ALL RIGHTS RESERVED.

LOC	DIST	REVISIONS			
P	LTR	DESCRIPTION	DATE	DWN	APVD
-	-	A1	UPDATE TABLE	16APR2015	M.S X.X
		B	ECR-16-015004	25OCT2016	M.S X.X
		BI	ECR-17-000249	05JAN2017	M.S X.X
		C	ECR-19-006815	17MAY2019	F.F M.S



MATES WITH 2834005 SERIES

PI	WIRE COLOR	P2
PI-1	RED	-
PI-2	WHITE	-
PI-3	BLACK	-
PI-4	BROWN	-

NOTES:
 1. MATE WITH 2834005 SERIES.
 2. RATINGS:
 VOLTAGE: 300V AC/DC
 CURRENT: 6A MAX.
 TEMPERATURE: 80°C

P/N	CABLE	DIM A	L (mm)
9-2834004-1	RUBBER (THERMOPLASTIC ELASTOMER TYPE)	Ø8.5	150±5
9-2834004-2			250±10
9-2834004-3			500±15
9-2834004-4			1000±15

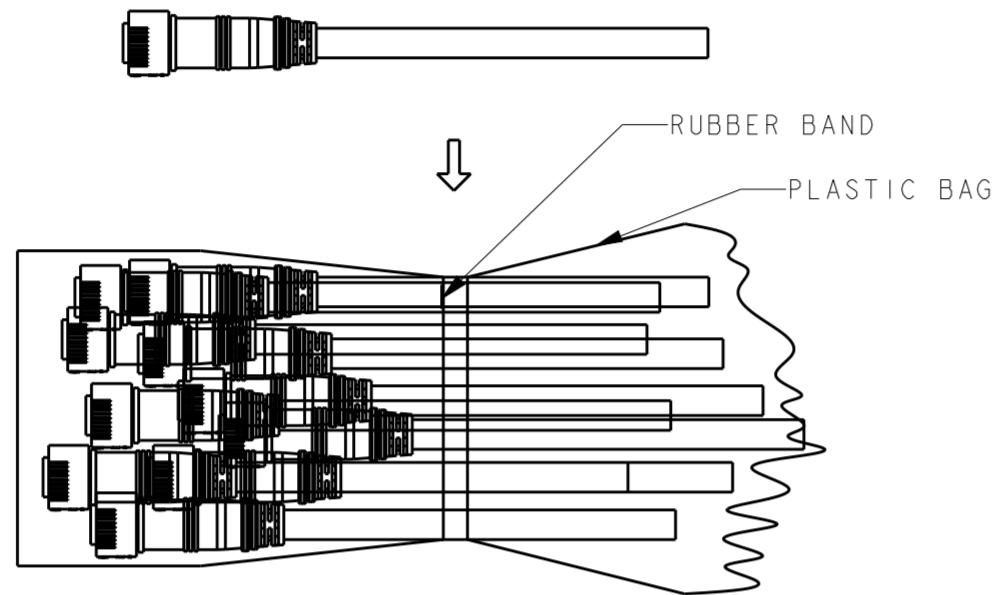
OBSOLETE

THIS DRAWING IS A CONTROLLED DOCUMENT.		DWN FRANK FAN 17MAY2019	TE Connectivity	
DIMENSIONS: mm		CHK GEORGE FU 17MAY2019		
TOLERANCES UNLESS OTHERWISE SPECIFIED:		APVD MING SHI 17MAY2019	NAME 4P MALE CABLE ASSEMBLY	
0 PLC ±-		PRODUCT SPEC 108-173041	SIZE A2	
1 PLC ±1.0		APPLICATION SPEC 114-173041	CAGE CODE -	DRAWING NO C-2834004
2 PLC ±0.5		WEIGHT -	RESTRICTED TO -	
3 PLC ±-			SCALE 1:2	SHEET 1 OF 2
4 PLC ±-			REV C	
ANGLES ±-				
FINISH				
MATERIAL -		Customer Drawing		

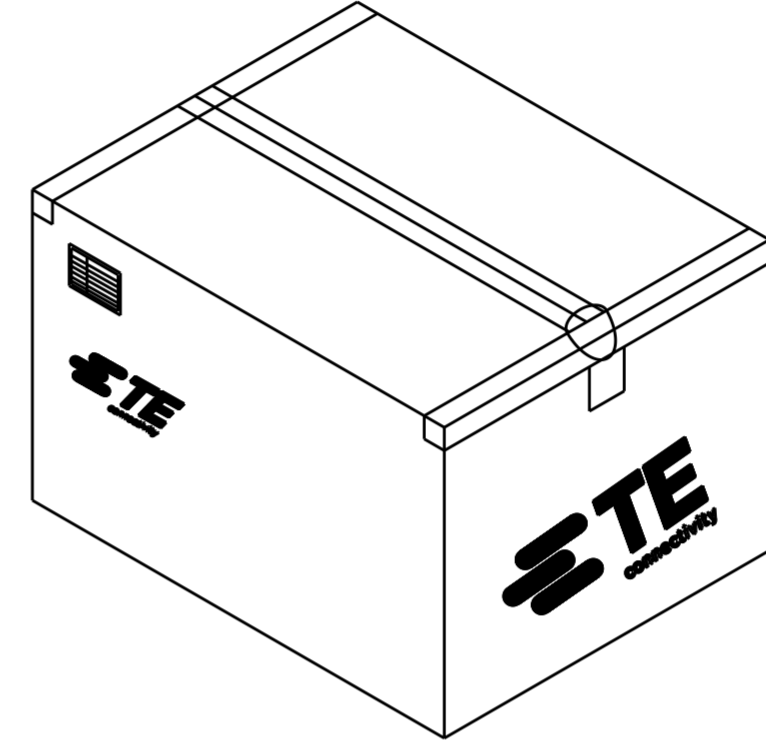
THIS DRAWING IS UNPUBLISHED. RELEASED FOR PUBLICATION 20
 © COPYRIGHT 20 BY - ALL RIGHTS RESERVED.

LOC		DIST		REVISIONS			
P	LTR	DESCRIPTION	DATE	DWN	APVD		
-	-	SEE SHEET 1	-	-	-		

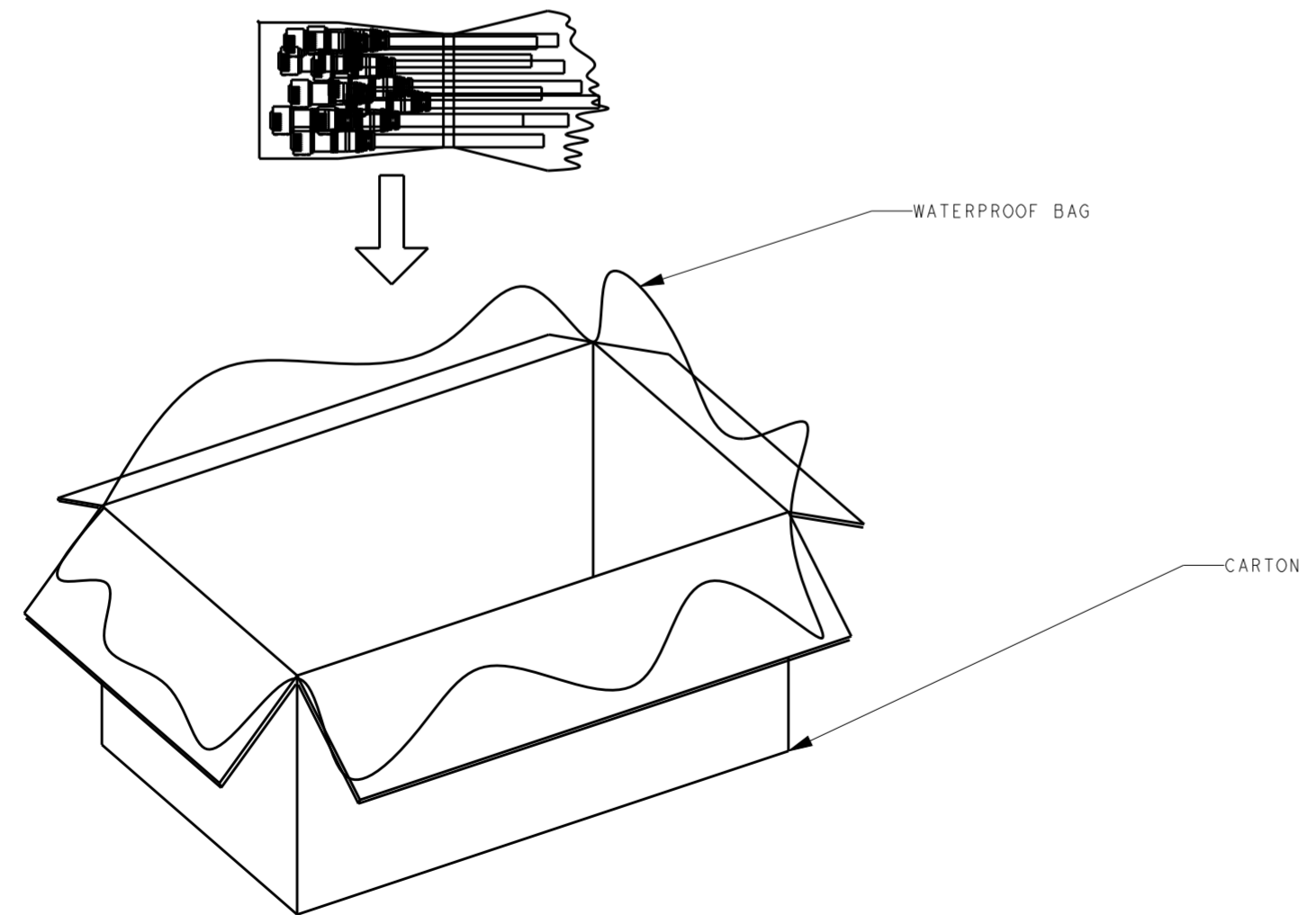
1. PUT PIECES OF PARTS INTO THE PLASTIC BAG, AND SEALED WITH RUBBER BAND AS 1 BUNCH.



3. SEAL THE CARTON.



2. PUT BUNCHES OF PARTS INTO CARTON.



4. PACKAGING QUANTITIES (REFER SHEET 1 FOR PN DEFINITION):

P/N	PARTS PER CARTON (PCS)
9-2834004-1	500
9-2834004-2	260
9-2834004-3	90
9-2834004-4	60

OBSOLETE

THIS DRAWING IS A CONTROLLED DOCUMENT.		DWN 17MAY2019 FRANK FAN	STE TE Connectivity	
DIMENSIONS: mm		CHK 17MAY2019 GEORGE FU		
TOLERANCES UNLESS OTHERWISE SPECIFIED:		APVD 17MAY2019 MING SHI	NAME 4P MALE CABLE ASSEMBLY	
0 PLC ±-		PRODUCT SPEC 108-173041	SIZE A2	
1 PLC ±1.0		APPLICATION SPEC 114-173041	CAGE CODE -	DRAWING NO C-2834004
2 PLC ±0.5		WEIGHT -	RESTRICTED TO -	SCALE NTS
3 PLC ±-		Customer Drawing	SHEET 2 OF 2	REV C
4 PLC ±-				
ANGLES ±-				
FINISH				