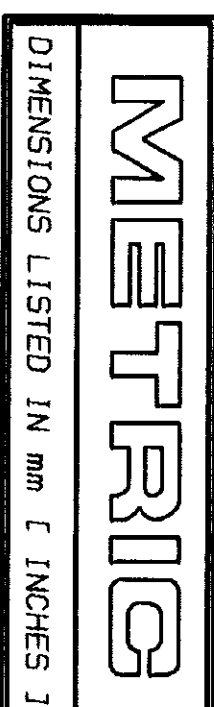
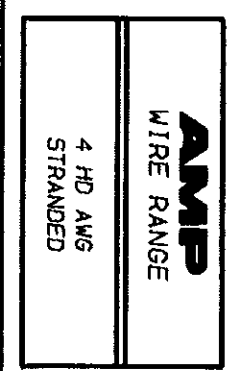
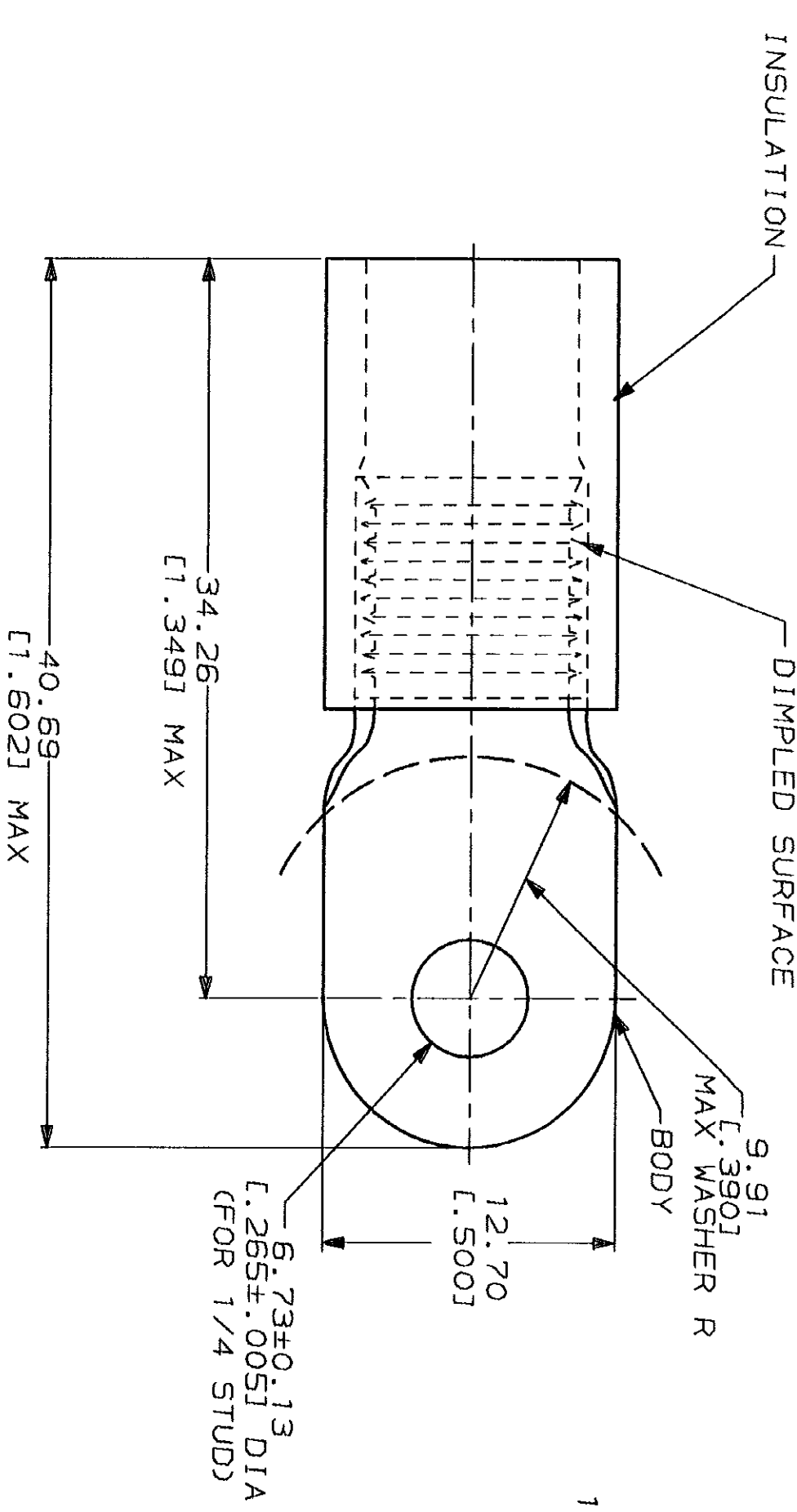


LOC	DIST	P	ZONE	LTR	DESCRIPTION	DATE	APPD
G	14				EC 0720-0279-93	5-23-93	BB

REVISIONS	
DESCRIPTION	DATE
	5-23-93



1. TONGUE MATERIAL THK 2.31±0.08 [0.91±.004]
 FOR 11.25 [1.443] MAX WIRE INS DIA



**AMP INCORPORATED
 CUSTOMER SERVICE SYSTEMS**

FOR ADDITIONAL PRODUCT INFORMATION OR COPIES OF DRAWINGS AND TECHNICAL DOCUMENTS	PRODUCT INFORMATION CENTER 1-800-522-6752	MAX RECOMMENDED OPERATING TEMPERATURE: 105°C	DO NOT SCALE PRINT. UNLESS SPECIFIED OTHERWISE: TOLERANCES ON: 2 PLC DEC ± 0.20 (L.008) 3 PLC DEC ± .1	DR 6-23-93 S.S. GOLDEN	QTY	PACKAGE TYPE	PART NO
FOR APPLICATION	TOOLING ASSISTANCE CENTER 1-800-722-1111	VOLTAGE RATING: -	MATERIAL COPPER PER ASTM B-152 NYLON (MIL-M-20693) TYPE 1 COLOR: YELLOW	CHK 6-23-93 R. HERSEY		AMP	AMP Incorporated Harrisburg, PA 17105-3608
TOOLING INFORMATION	1-800-526-5142	CIRCULAR MIL AREA: 16.8-26.7mm² [33, 100-52, 600] STRANDED	FINISH TIN PLATE PER MIL-T-10727	APPD 6-23-93 B. BAUE		TERMINAL, RING TONGUE, TERMINYL WIRE SIZE: 4 HD AWG	
FOR ORDER ENTRY				APPD 6-23-93 M. ELLIS		SIZE B	DRAWING NO G=330966
				APPLICATION SPEC		SCALE NTS	SHEET 1 OF 1