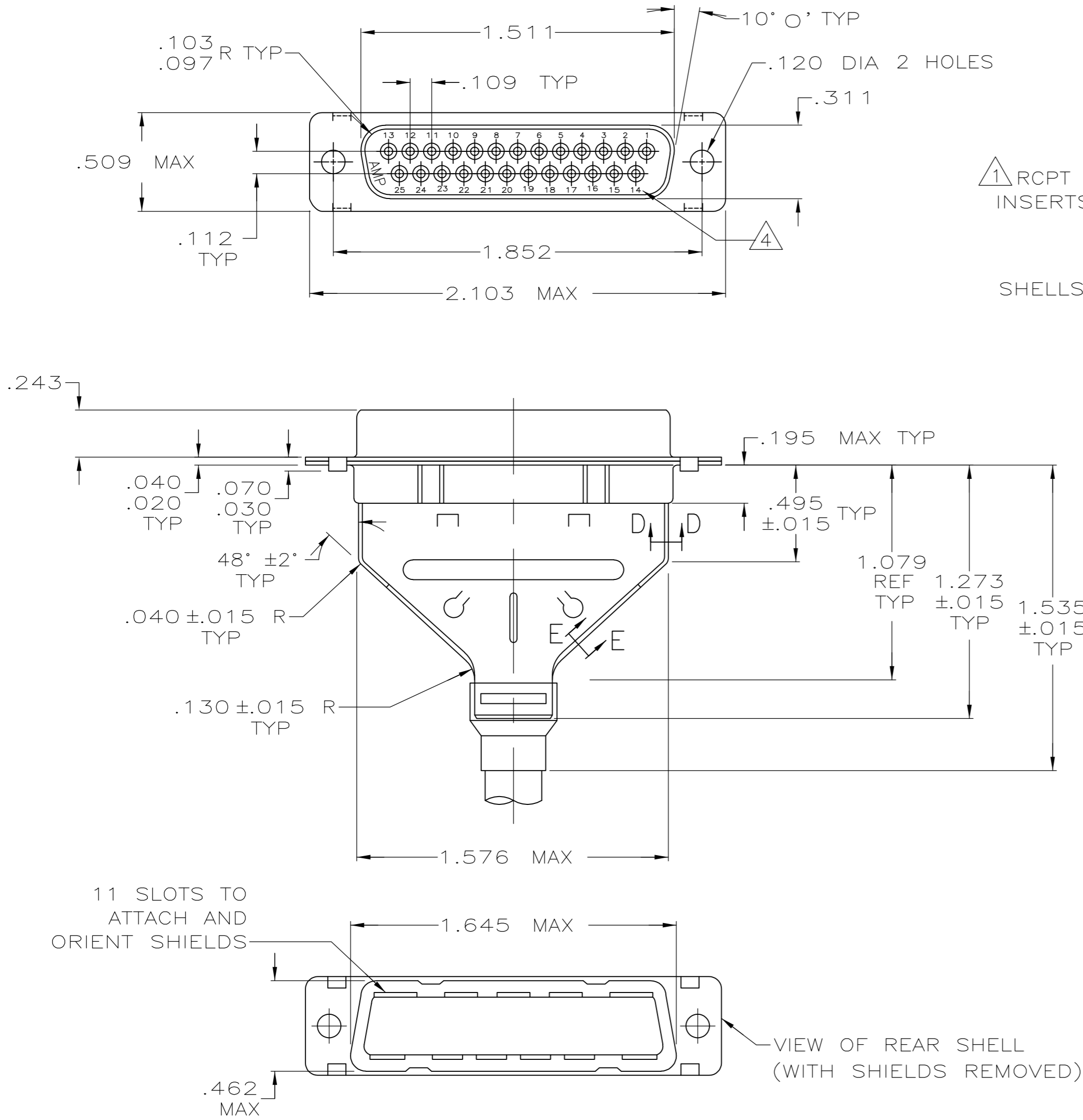
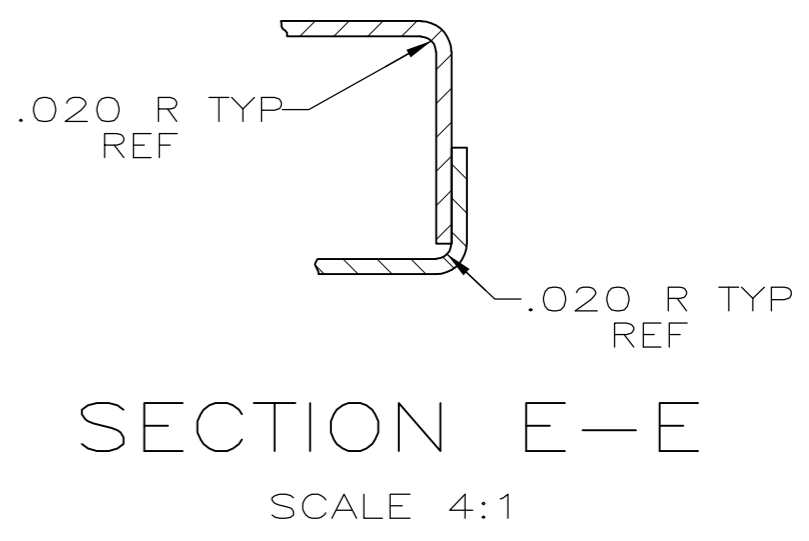
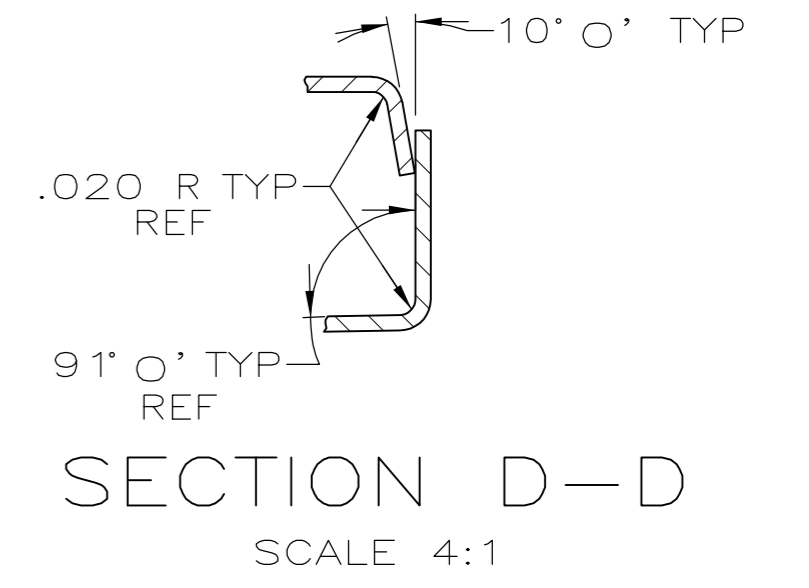
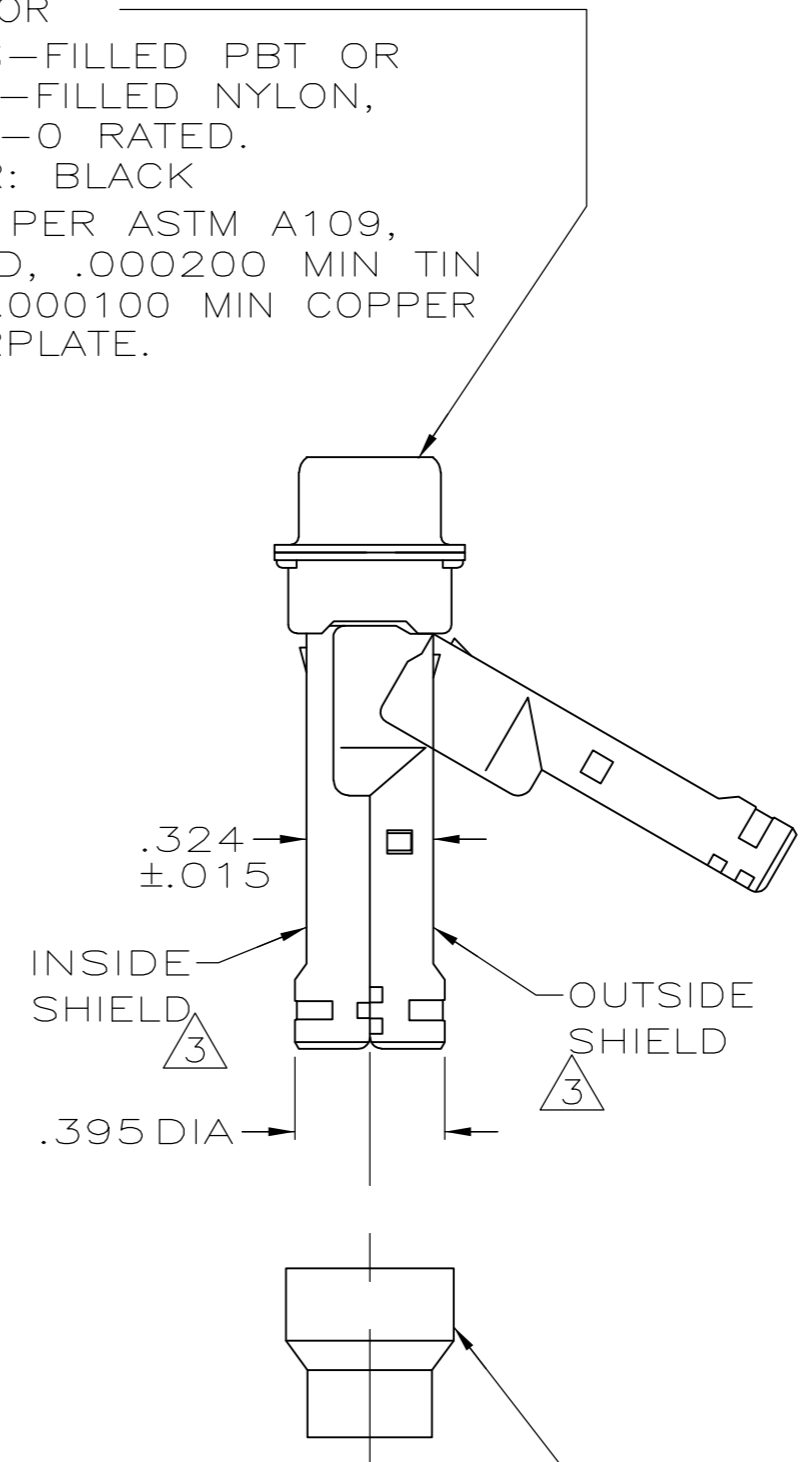


THIS DRAWING IS UNPUBLISHED. RELEASED FOR PUBLICATION
 © COPYRIGHT - By - ALL RIGHTS RESERVED.

LOC		DIST		REVISIONS					
P	LTR	DESCRIPTION	DATE	DWN	APVD				
GP	00			A		REVISED PER ECO-14-011808	09AUG2014	AP	SB



1 RCPT CONNECTOR
 INSERTS: GLASS-FILLED PBT OR GLASS-FILLED NYLON, UL94V-0 RATED. COLOR: BLACK
 SHELLS: STEEL PER ASTM A109, PLATED, .000200 MIN TIN OVER .000100 MIN COPPER UNDERPLATE.



- 1 RCPT ACCEPTS SIZE 20 SOCKET CONTACTS (CONTACTS MUST BE ORDERED SEPARATELY).
- 2. ALL PARTS SHIPPED UNASSEMBLED, EACH PART INDIVIDUALLY BULK PACKED.
- 3 SHIELDS: MATERIAL—.020 THICK STEEL, PER ASTM A109, PLATED .000200 MIN TIN OVER .000100 MIN COPPER UNDERPLATE.
- 4 RAISED CAVITY IDENTIFICATION AND AMP TRADEMARK.

1658649-1
 PART NUMBER

THIS DRAWING IS A CONTROLLED DOCUMENT.		DWN	J.REITZEL	31JUL03	 TE Connectivity	NAME		KIT, RCPT, SHIELDING HARDWARE, SIZE 3, 25 ^M POSITION, AMPLIMITE HDP-20		
DIMENSIONS: INCHES		CHK	S.BOLASH	31JUL03		PRODUCT SPEC		108-40030		
TOLERANCES UNLESS OTHERWISE SPECIFIED:		APVD	M.WALMSLEY	31JUL03		APPLICATION SPEC		114-40030		
0 PLC ± - 1 PLC ± - 2 PLC ± - 3 PLC ± .005 4 PLC ± - ANGLES ± 0° 30'		MATERIAL	SEE CALL OUT 3			WEIGHT	-		SIZE	A2
SEE CALL OUT 3		SEE CALL OUT 3		CUSTOMER DRAWING		SCALE	4:1		SHEET	1 of 1

1658649