

Automotive/Marine Rocker Switches

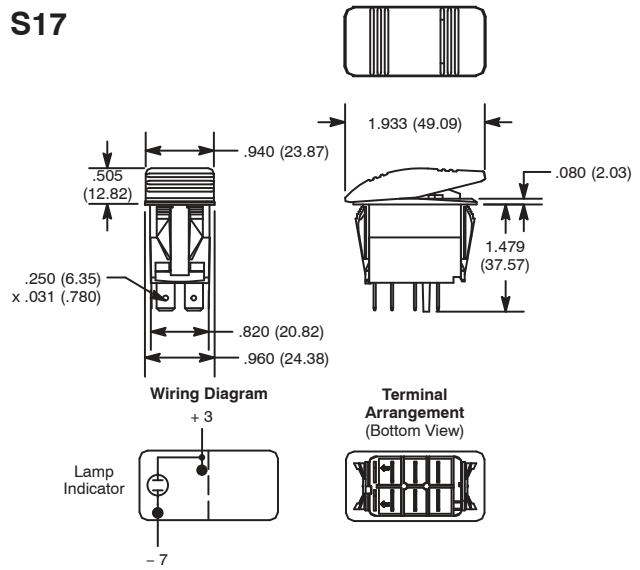
Sealed Nylon Snap-In



S17

Features

- IP66/IP68 Certified
- Illuminated and Non-Illuminated Types
- UL1500 Recognized – Ignition Protection for Marine Use
- Sealed for Auto/Marine applications
- Salt Spray Resistant
- Able to Withstand -40° to $+85^{\circ}\text{C}$ Temperature



Specifications

- Current Rating:** 20A 12VDC
Lamp Voltage: 12V Incandescent
Insulation Resistance: 50 Megohms (min.)
Dielectric Strength: 1500V RMS (min.)
Temperature Rating: -40° to $+185^{\circ}\text{F}$ (-40° to $+85^{\circ}\text{C}$)
Electrical Life: 50,000 to 100,000 cycles circuit dependent
Mechanical Life: 150,000 cycles
Terminal Type: .250" Tab Q.C.
Mounting Hole: 1.450 (36.83) x .830 (21.08)

| NTE Type No. | Circuitry | Action | | | Actuator | Lens Color | Diag No. |
|--------------|-----------|--------|------|------|--|------------|----------|
| 54-034 | SPST | ON | NONE | OFF | Thermoplastic polycarbonate with a hard Nylon 66 thermoplastic surface overlay | Amber | S17 |
| 54-035 | SPST | ON | NONE | OFF | | Red | S17 |
| 54-036 | DPDT | ON | OFF | ON | | Green | S17 |
| 54-037 | DPDT | ON | OFF | ON | | Red | S17 |
| 54-038 | SPST | (ON) | NONE | OFF | | Amber | S17 |
| 54-039 | SPST | (ON) | NONE | OFF | | Red | S17 |
| 54-040 | DPDT | (ON) | OFF | (ON) | | Amber | S17 |
| 54-041 | DPDT | (ON) | OFF | (ON) | | Green | S17 |
| 54-042 | DPDT | (ON) | OFF | (ON) | | Red | S17 |
| 54-043 | DPDT | (ON) | OFF | (ON) | | Blue | S17 |
| 54-044 | SPST | ON | NONE | OFF | | N/A | S17 |
| 54-045 | DPDT | ON | NONE | ON | | N/A | S17 |
| 54-046 | DPDT | ON | OFF | ON | | N/A | S17 |
| 54-087 | SPST | ON | NONE | OFF | | Green | S17 |
| 54-088 | SPST | ON | NONE | OFF | | Blue | S17 |
| 54-089 | DPDT | ON | OFF | ON | | Amber | S17 |
| 54-090 | DPDT | ON | OFF | ON | | Blue | S17 |
| 54-091 | SPST | (ON) | NONE | OFF | | Green | S17 |
| 54-092 | SPST | (ON) | NONE | OFF | | Blue | S17 |
| 54-639 | DPDT | (ON) | OFF | (ON) | | N/A | S17 |

SPECIAL NOTE: () = Momentary Function