

Quad high speed differential line receiver

26LS33/26LS33A

FEATURES

- Input voltage range of 30 volts differential for 26LS33 and 25 volts differential for 26LS33A
- $\pm 0.5V$ sensitivity on 26LS33
- 6k minimum input impedance
- 60mV input hysteresis
- Operation from single +5V supply
- Fail safe input-output relationship. Output always high when inputs are open.
- 3-state drive, with choice of complementary output enables, for receiving directly onto a data bus
- 3-state outputs disabled during power up and power down

DESCRIPTION

The 26LS33/33A is a quad line receiver that provides an enable and disable function common to all four receivers. Both parts feature 3-State outputs with 8mA sink capability and incorporate a fail-safe input-output relationship which forces the outputs high when the inputs are open.

ORDERING INFORMATION

DESCRIPTION	ORDER CODE	PACKAGE DESIGNATOR*
16-Pin Ceramic DIP	26LS33/BEA 26LS33A/BEA	GDIP1-T16

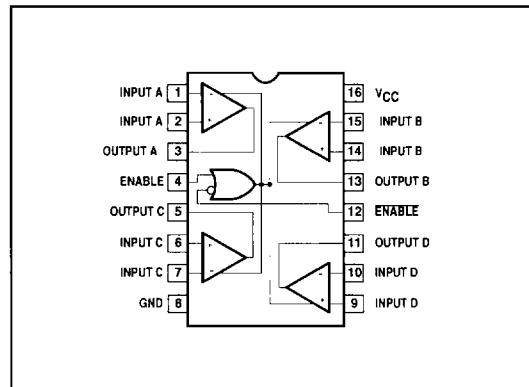
* MIL-STD 1835 or Appendix A of 1995 Military Data Handbook

FUNCTION TABLE (EACH RECEIVER)

DIFFERENTIAL INPUT	ENABLES		OUTPUT
	E	\bar{E}	
$V_{ID} \geq V_{TH}$	H X	X L	H H
$V_{TL} \leq V_{ID} \leq V_{TH}$	H X	X L	? ?
$V_{ID} \leq V_{TL}$	X	L	L
X	L	H	Z

H = High level
 L = Low level
 X = Irrelevant
 Z = High impedance (off)
 ? = Indeterminate
 E = Enable
 \bar{E} = Enable

PIN CONFIGURATIONS



ABSOLUTE MAXIMUM RATINGS¹

SYMBOL	PARAMETER	RATING	UNIT
V_{CC}	Power supply	7	V
V_{IN}	Input voltage	7	V
I_O	Output sink current	50	mA
V_{CMV}	Common mode range	± 25	V
V_{TH}	Differential input voltage	± 25	V
T_{STG}	Storage temperature range	-65 to +150	C

RECOMMENDED OPERATING CONDITIONS

SYMBOL	PARAMETER	LIMITS			UNIT
		MIN	NOM	MAX	
V_{CC}	Supply voltage	4.5	5.0	5.5	V
T_{amb}	Operating free-air temperature range	-55		+125	C

Quad high speed differential line receiver

26LS33/26LS33A

DC ELECTRICAL CHARACTERISTICS

(Over recommended operating temperature and supply voltage range unless otherwise specified.)

SYMBOL	PARAMETER	TEST CONDITIONS	LIMITS			UNIT
			MIN	TYP ¹	MAX	
V _{TH}	Differential input voltage	-15V ≤ V _{CM} ≤ +15V	-0.5	0.06	0.5	V
R _{IN}	Input resistance	-15V ≤ V _{CM} ≤ +15V, (One input AC ground)	6.0	9.8		kΩ
I _{IN}	Input current (under test)	V _{IN} = +15V (26LS33A) Other input -10V ≤ V _{IN} ≤ +15V (26LS33) Other input -15V ≤ V _{IN} ≤ +15V			2.3 2.3	mA mA
I _{IN}	Input current (under test)	V _{IN} = -15V (26LS33A) Other input -15V ≤ V _{IN} ≤ +10V (26LS33) Other input -15V ≤ V _{IN} ≤ +15V			-2.8 -2.8	mA mA
V _{OH}	Output High voltage	V _{CC} = Min, I _{OH} = -440μA ΔV _{IN} = +1.0V, V _{ENABLE} = 0.8V	2.5	3.4		V
V _{OL}	Output Low voltage	V _{CC} = Min, V _{ENABLE} = 0.8V, ΔV _{IN} = +1.0V	I _{OL} = 4.0mA	0.3	0.4	V
			I _{OL} = 8.0mA		0.45	V
V _{IL}	Enable Low voltage				0.8	V
V _{IH}	Enable High voltage		2.0			V
V _I	Enable clamp voltage	V _{CC} = Min, I _{IN} = -18mA			-1.5	V
I _O	Off state (high impedance) output current	V _{CC} = Max	V _O = 2.4V		20	μA
			V _O = 0.4V		-20	μA
I _{IL}	Enable Low current	V _{IN} = 0.4V		-0.2	-0.36	mA
I _{IH}	Enable High current	V _{IN} = 2.7V		0.5	20	μA
I _I	Enable input High current	V _{IN} = 5.5V		1	100	μA
I _{SC}	Output short circuit current	V _{CC} = Max, ΔV _{IN} = +1V, V _{OUT} = 0V	-15	-60	-85	mA
I _{CC}	Power supply current	V _{CC} = Max; All V _{IN} = GND, outputs disabled		52	70	mA
V _{HYST}	Input hysteresis	T _{amb} = 25°C, V _{CC} = 5.0V, V _{CM} = 0V		120		mV

AC ELECTRICAL CHARACTERISTICST_{amb} = +25°C, V_{CC} = 5.0V

SYMBOL	PARAMETER	TEST CONDITIONS	26LS33 LIMITS			26LS33A LIMITS		UNIT
			MIN	TYP ¹	MAX	MIN	MAX	
t _{PLH}	Input to output	See switching test circuit and waveforms. C _L = 15pF		9	25		35	ns
t _{PHL}	Input to output	See switching test circuit and waveforms. C _L = 15pF		10	25		35	ns
t _{LZ}	Enable to output	See switching test circuit and waveforms. C _L = 5pF		15	30		40	ns
t _{HZ}	Enable to output	See switching test circuit and waveforms. C _L = 5pF		12	22		30	ns
t _{ZL}	Enable to output	See switching test circuit and waveforms. C _L = 15pF		8	22		25	ns
t _{ZH}	Enable to output	See switching test circuit and waveforms. C _L = 15pF		8	22		25	ns

Quad high speed differential line receiver

26LS33/26LS33A

AC ELECTRICAL CHARACTERISTICS

$-55^{\circ}\text{C} \leq T_{\text{amb}} \leq +125^{\circ}\text{C}$, $V_{\text{CC}} = 5.0\text{V}$

SYMBOL	PARAMETER	TEST CONDITIONS	26LS33 LIMITS		26LS33A LIMITS		UNIT
			MIN	MAX	MIN	MAX	
t_{PLH}	Input to output	See switching test circuit and waveforms. $C_L = 15\text{pF}$		38		53	ns
t_{PHL}	Input to output	See switching test circuit and waveforms. $C_L = 15\text{pF}$		38		53	ns
t_{LZ}	Enable to output	See switching test circuit and waveforms. $C_L = 5\text{pF}$		45		60	ns
t_{HZ}	Enable to output	See switching test circuit and waveforms. $C_L = 5\text{pF}$		33		45	ns
t_{ZL}	Enable to output	See switching test circuit and waveforms. $C_L = 15\text{pF}$		33		38	ns
t_{ZH}	Enable to output	See switching test circuit and waveforms. $C_L = 15\text{pF}$		33		38	ns

NOTE:

1. All typical values are $T_A = 25^{\circ}\text{C}$, $V_{\text{CC}} = 5.0\text{V}$.

