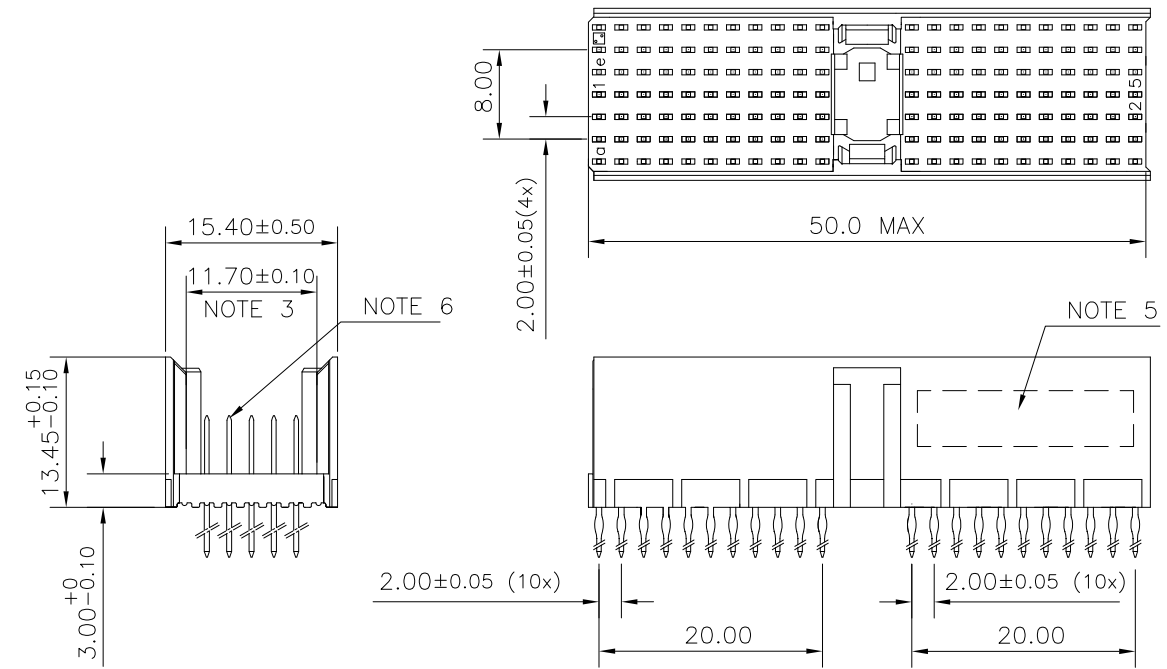


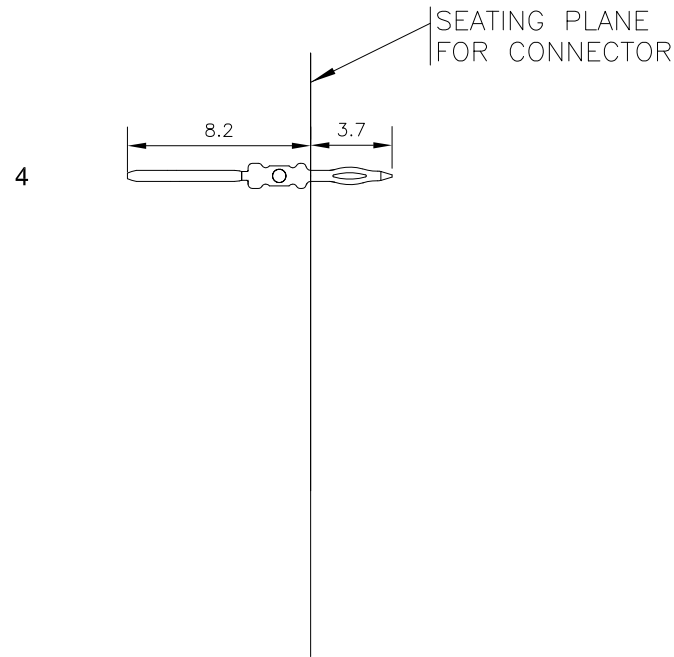
LOADING PATTERN MATING SIDE

f	0	0	0	0	0	0	0	0	0	0	0	0	0	0	0	0	0	0	0	0
e	4	4	4	4	4	4	4	4	4	4	4	4	4	4	4	4	4	4	4	4
d	4	4	4	4	4	4	4	4	4	4	4	4	4	4	4	4	4	4	4	4
c	4	4	4	4	4	4	4	4	4	4	4	4	4	4	4	4	4	4	4	4
b	4	4	4	4	4	4	4	4	4	4	4	4	4	4	4	4	4	4	4	4
a	4	4	4	4	4	4	4	4	4	4	4	4	4	4	4	4	4	4	4	4
z	0	0	0	0	0	0	0	0	0	0	0	0	0	0	0	0	0	0	0	0
POS	01																			
		05																		
			10																	
				15																
					20															
						25														

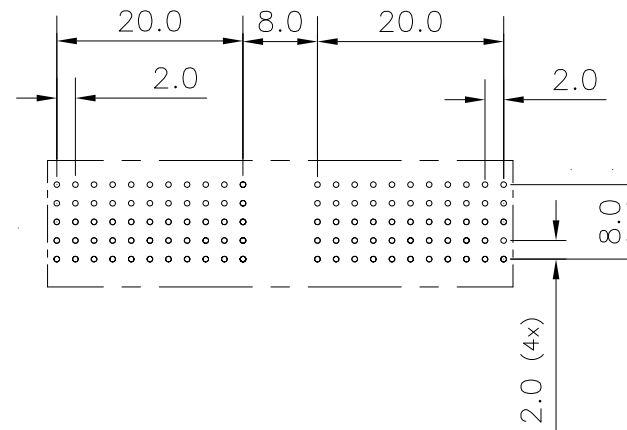
LOADED CONNECTOR ASSEMBLY (FOR EXAMPLE)



CONTACT OVERVIEW



LAY-OUT P.C.B.-HOLE



LEAD FREE INDICATOR : LF = LEAD FREE (DIGIT 15 & 16)

HM2P40PD5110

PLATING CODE (DIGIT 13 AND 14) (REF. DWG NO. BSC,201844, 003)

NOTES

1. THIS PRODUCT IS CSA APPROVED.
2. THIS PRODUCT IS UL RECOGNIZED.
3. MEASURED AT THE BOTTOM.
4. FOR GENERAL DETAILS PLEASE REFER DRAWING: BS, C ,203028, 000
5. CONNECTOR PRINTED WITH P/N AND DATE CODE.
6. FOR ACTUAL CONTACT LOADINGS, SEE LOADING PATTERN MATING SIDE.
7. THIS PRODUCT MEETS EUROPEAN UNION DIRECTIVES AND OTHER COUNTRY REGULATIONS AS DESCRIBED IN GS-47-0004
8. FOR RECOMMENDED PTH DIMENSIONS REFER DRAWING : BS, A , 201572 , 001

CATALOG NO: HM2P40PD5110----

mat'l. code SEE NOTE 4				surface ISO 1302 ✓		tolerance ISO 406 ISO 1101		projection MM		product family MILLIPACS	
ltr				ecn no		dr		date		title	
A				105-0159		MINI		2005-09-09		MPACS 5+2R STR HDR PF CONN TYPE A NO PEG	
B				105-0099		MINI		2006-07-15			
C				ELX-1-41982		MINI		2021-08-10			
				dr		MINI K VANDANATH		2005-09-09		dwg no	
				enr		BINESH		2021-08-10		sheet 1 of 1	
				chr		ALEX		2021-08-10		size	
				appd		SANJ		2021-08-10		A3	
sheet index				revision sheet		C		1		type Product Customer Drawing	