

6

5

4

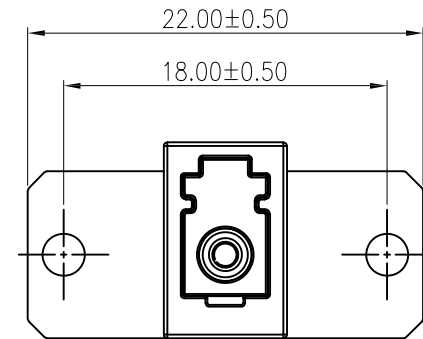
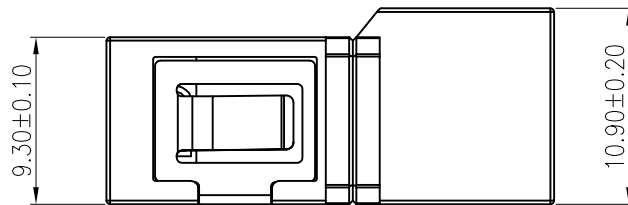
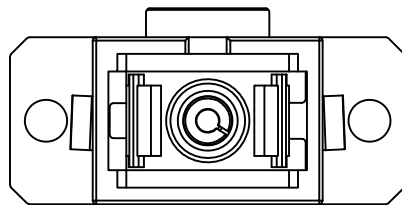
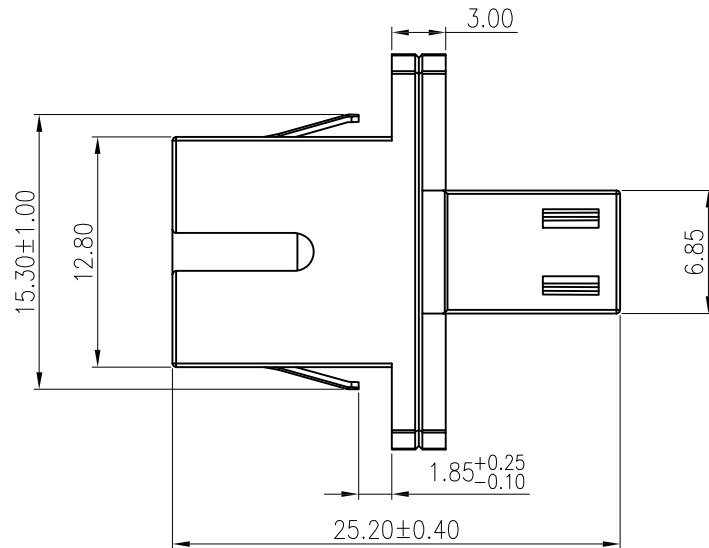
3

2

1

APPROVED: _____
 DATE: _____ TITLE: _____

Rev	AWO #	Description	Date	Appr
-		RELEASED	9/9/20	



SPECIFICATIONS:

Material:
 Housing: Alloy, rated UL 94V-0,
 Sleeve: Zirconia ceramic
 Electrical:
 Repeatability: 1000 min times
 Insertion loss: 0.3dB max
 Interchangeability: 0.3dB max
 Temperature Rating:
 Operating temperature: -40°C to +85°C
 Environmental:
 Lead free, RoHS compliant.



UNLESS OTHERWISE SPECIFIED
 ALL DIMENSIONS ARE MILLIMETERS
 TOLERANCES: EXCEPT AS NOTED
 MM ANGLE
 .X ± 0.35 X* ± 2°
 .X ± 0.30 .X* ± 1°
 .XX ± 0.25 .XX* ± 0.5°
 .XXX ± 0.15 .XXX* ± 0.5°

ADAM TECH INTERCONNECTS
 909 Rahway Avenue,
 Union, NJ 07083
 Phone: 908-687-5000
 Fax: 908-687-5710

APPROVALS		DATE
DRAWN	LH	9/9/20
CHECKED	JL	9/9/20
APPROVED		

TITLE OPTICAL SC/LC ADAPTERS, 1 PORTS , LONG-EARED WITH CUCURBIT TYPE DUST CAP / LC DUST CAP		
SIZE X	PART NO. OPSLN1ANNC1P2A	REV. -
REF: S00005C	SCALE: NTS	SHEET 1 OF 1

6

5

4

3

2

1

D

D

C

C

B

B

A

A