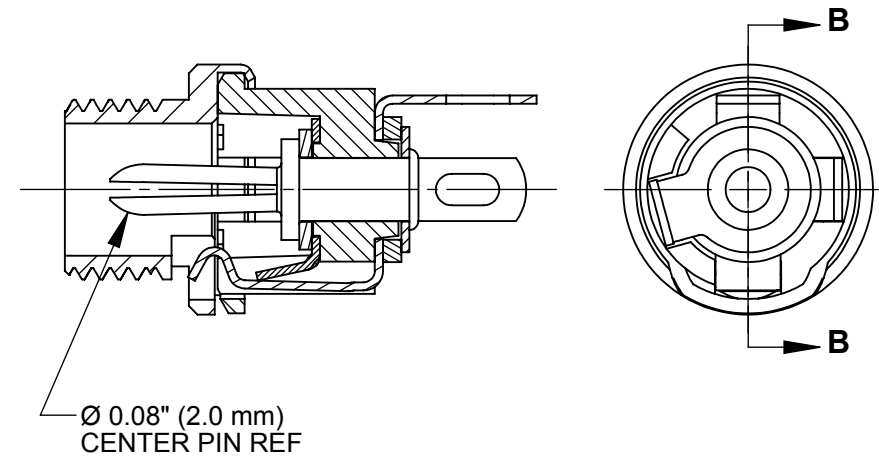
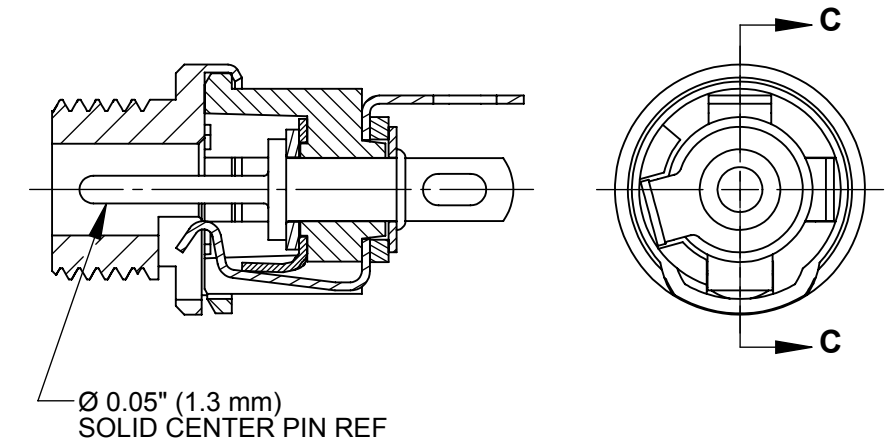


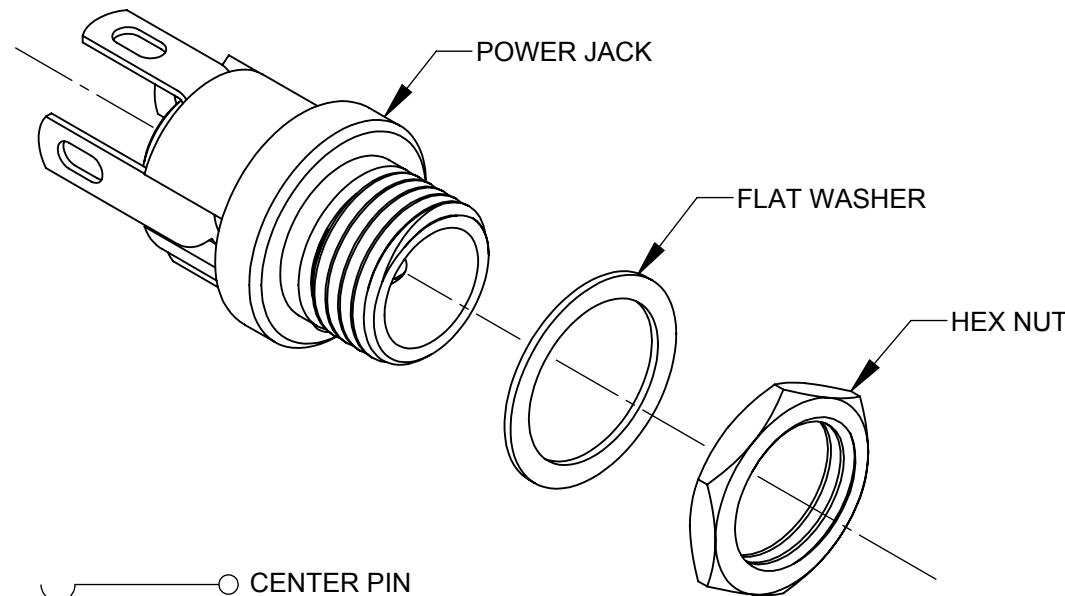
712AH



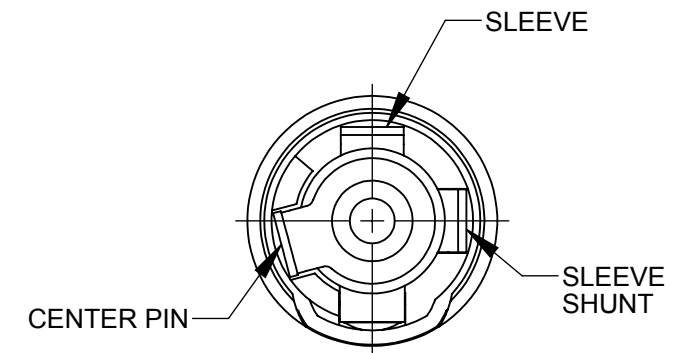
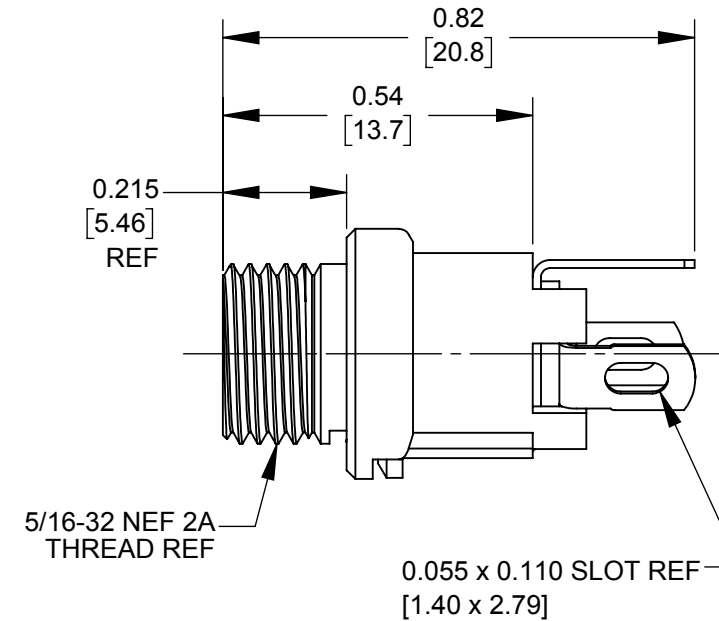
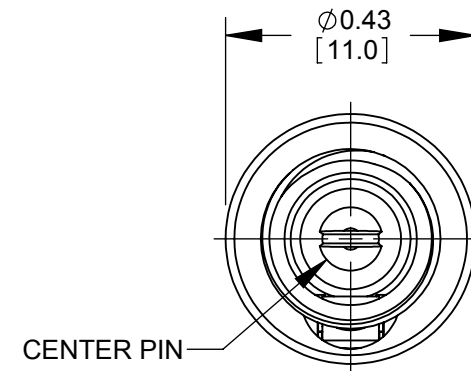
722AH



732AH



SCHEMATIC



- NOTES:**
- DIMENSIONS SHOWN FOR REFERENCE ONLY.
 - HEX NUT AND FLAT WASHER SUPPLIED UNASSEMBLED.
 - MATERIAL:**
 HOUSING, HEX NUT - COPPER ALLOY, NICKEL PLATED
 INSULATOR HOUSING - THERMOPLASTIC, BEIGE
 TERMINAL INSULATORS - PHENOLIC
 FLAT WASHER - STEEL, NICKEL PLATED
 PIN, SPRING, TERMINALS - COPPER ALLOY, SILVER PLATED
 - THESE PRODUCTS ARE RoHS COMPLIANT

CUSTOMER DRAWING

REV	ECO NUMBER	DATE	BY	APVD
A	27941	09/06/17	PC	TJK
REVISIONS				

UNLESS OTHERWISE SPECIFIED

- ALL DIMENSIONS IN INCHES [mm]
 - TWO PLACE DECIMALS ±0.02 [0.5]
 - THREE PLACE DECIMALS ±0.005 [0.13]

DO NOT SCALE DRAWING

THIS DRAWING DESCRIBES A DESIGN CONSIDERED PROPRIETARY IN NATURE, DEVELOPED AND MANUFACTURED BY SWITCHCRAFT INC. AND IS RELEASED ON A CONFIDENTIAL BASIS FOR IDENTIFICATION PURPOSES ONLY.									
SIZE	WIDTH	MULT	LBS/M	TEMPER					
FINISH					MATERIAL				
SPEC No.					SPEC No.				
FIRST USED ON			SCALE						
			3:1						
DATE DRAWN	BY	CHKD	APVD						
6/27/16	PNK	PNK	SRC						
		6/27/16	6/27/16						
NAME				PART No.			REV		
HT POWER JACKS				712AH 722AH 732AH			A		
7_2AH SERIES, RoHS									

SolidWorks CAD File