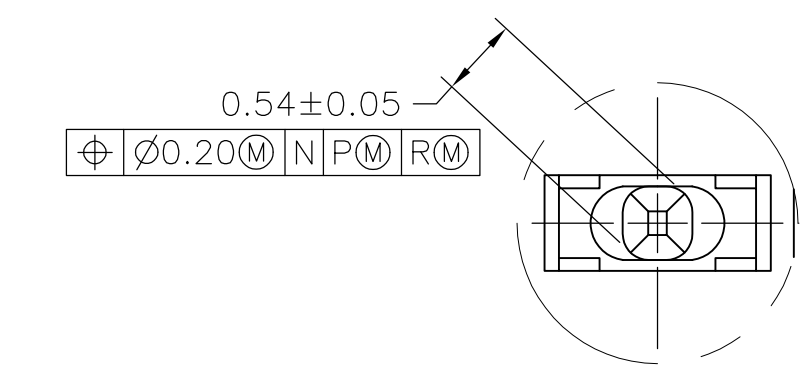
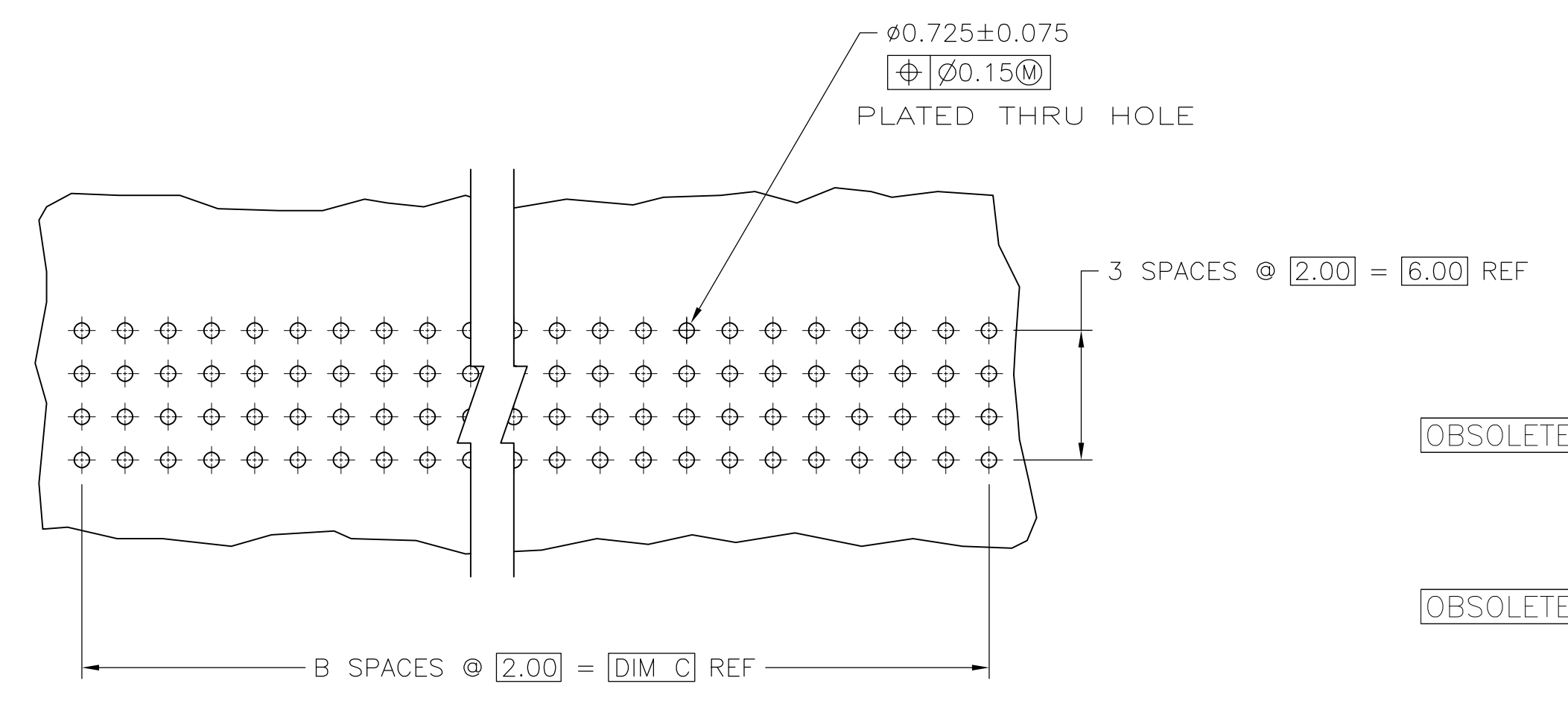
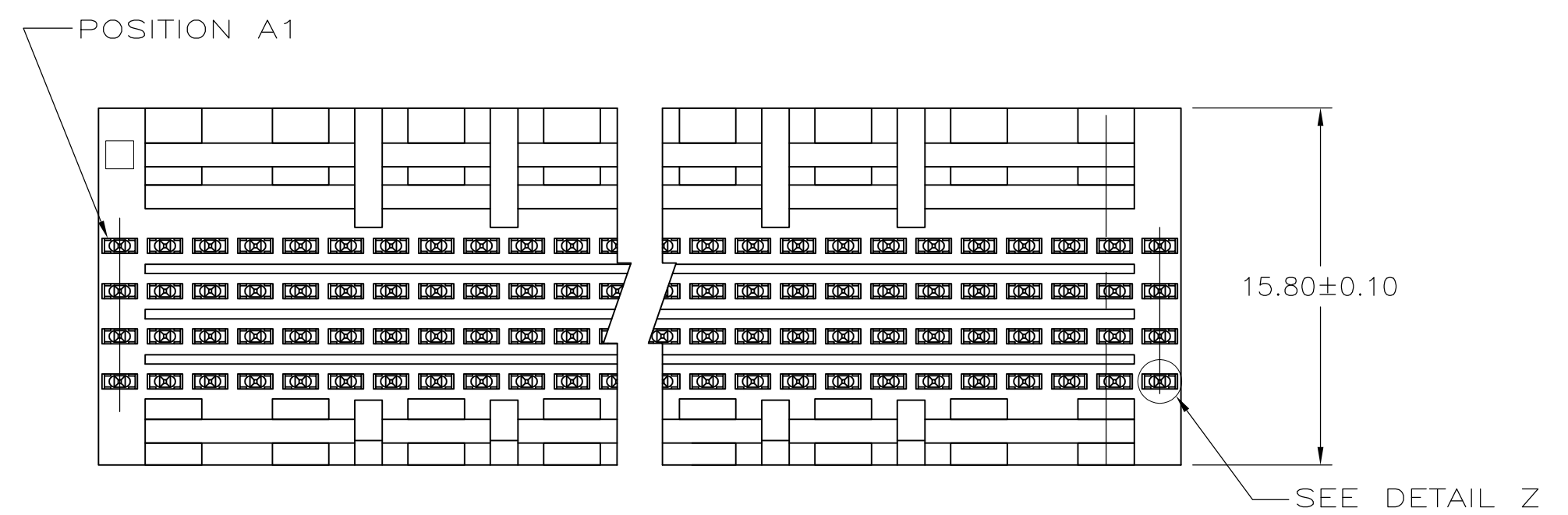


- 1 HOUSING MATERIAL: LIQUID CRYSTAL POLYMER PER ASTM D5138 LCPO00 G30A 32250, COLOR: NATURAL.
- 2 CONTACT MATERIAL: PHOSPHOR BRONZE.
- 3 CONTACT FINISH:
UNDERPLATE (ENTIRE CONTACT):
0.00127 MIN NICKEL PER SAE-AMS-QQ-N-290.
ON MATING SURFACES:
CONFORMS TO ALL TESTING SPECIFIED FOR TELCORDIA UNCONTROLLED ENVIRONMENT.
ON LEADS
0.0006 MIN TIN PER ASTM B 545 OVER UNDERPLATE.
LUBRICATION (MIN MATING SURFACES):
SURFACE CONDITIONER AFTER PLATING.
- 4 PART MARKING, LOCATED APPROXIMATELY AS SHOWN.
- 5 DIMENSION APPLIES WHEN SEATED ON PRINTED CIRCUIT BOARD.
- 6 CONTACT FINISH:
UNDERPLATE (ENTIRE CONTACT):
0.00127 MIN NICKEL PER SAE-AMS-QQ-N-290.
ON MATING SURFACES:
0.00076 MIN NICKEL OR COBALT HARDENED GOLD PER ASTM B-488 OVER UNDERPLATE.
ON LEADS
0.0006 MIN TIN PER ASTM B 545 OVER UNDERPLATE.
LUBRICATION (MIN MATING SURFACES):
SURFACE CONDITIONER AFTER PLATING.



DETAIL Z
SCALE 20:1



RECOMMENDED CIRCUIT PATTERN
PER IPC-D300 TYPE II, CLASS C
(COMPONENT SIDE)

	4.25	46	23	47.88	6	96	3-5536504-3
	4.25	22	11	23.88	6	48	3-5536504-2
	4.25	10	5	11.88	6	24	3-5536504-1
OBSOLETE	4.25	34	17	35.88	3	72	1-5536504-2
	4.25	130	65	131.88	3	264	1-5536504-1
	4.25	106	53	107.88	3	216	1-5536504-0
	4.25	118	59	119.88	3	240	5536504-9
OBSOLETE	4.25	70	35	71.88	3	144	5536504-8
	4.25	66	33	67.88	3	136	5536504-7
	4.25	58	29	59.88	3	120	5536504-6
	4.25	82	41	83.88	3	168	5536504-5
	4.25	94	47	95.88	3	192	5536504-4
	4.25	46	23	47.88	3	96	5536504-3
	4.25	22	11	23.88	3	48	5536504-2
	4.25	10	5	11.88	3	24	5536504-1
	D	C	B	A	FINISH	NO OF POSN	PART NUMBER

THIS DRAWING IS A CONTROLLED DOCUMENT.

DWN: B. MCMASTER 30AUG04
CHK: R. WERTZ 30AUG04
APVD: R. WERTZ 30AUG04

TE Connectivity

NAME: PIN ASSEMBLY, SIGNAL MODULE, Z-PACK 2mm FB, 2mm

PRODUCT SPEC: -

APPLICATION SPEC: -

SIZE: A1 CAGE CODE: 00779 DRAWING NO: 5536504

SCALE: 4:1 SHEET: 1 OF 1 REV: B2