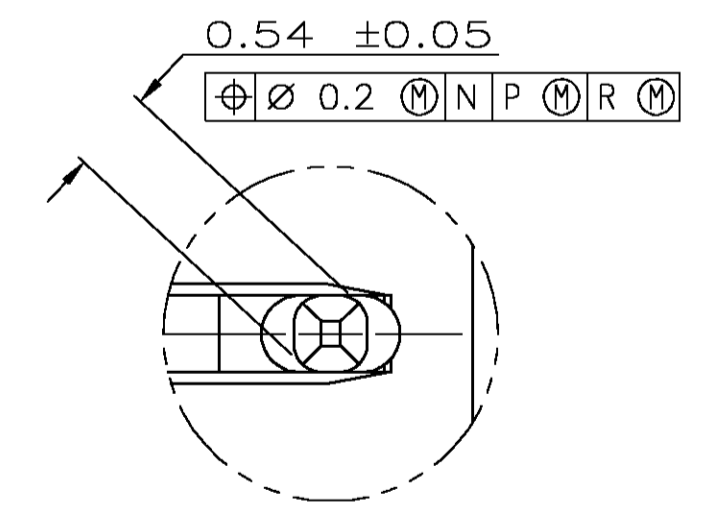


RECOMMENDED CIRCUIT PATTERN  
 PER IPC-D300 TYPE II, CLASS C  
 (COMPONENT SIDE)

- 1 HOUSING MATERIAL: LIQUID CRYSTAL POLYMER, COLOR: NATURAL.
- 2 CONTACT MATERIAL: PHOSPHOR BRONZE
- 3 CONTACT FINISH:(D)  
 UNDERPLATE (ENTIRE CONTACT):  
 0.00127 MIN NICKEL PER SAE-AMS-QQ-N-290  
 ON MATING SURFACES:  
 FLASH GOLD PER ASTM B 488, OVER  
 0.00076 MIN PALLADIUM-NICKEL OVER UNDERPLATE, OR  
 0.00076 MIN GOLD PER ASTM B 488 OVER UNDERPLATE.  
 ON LEADS:  
 0.00127 MIN MATTE TIN PER ASTM B 545 OVER UNDERPLATE.  
 LUBRICATION (MIN MATING SURFACES):  
 SURFACE CONDITIONER AFTER PLATING.
- 4 PART MARKING LOCATED APPROXIMATELY AS SHOWN.

ROW	D	AC	AC			
C		AB	AB			
B		AA	AA			
A		AC	AC			
	1	2	3	4	5	6
POWER POSITION						

CODE LETTER	MATING POST LENGTH ±0.1	LEAD LENGTH (REF)
AA	6.5	4.25
AB	7.25	4.25
AC	8	4.25



DETAIL Z  
 SCALE 20:1

6	1	10	5	11.88	FINISH	8	5536634-1
E	D	C	B	A		NO OF POWER POSN	PART NUMBER
THIS DRAWING IS A CONTROLLED DOCUMENT.		DIM R BUCHHEISTER 23/OCT/98 CHK K.DUSCHA 23/OCT/98		Tyco Electronics Corporation Harrisburg, Pa 17105-3608			
DIMENSIONS: mm [INCHES]		TOLERANCES UNLESS OTHERWISE SPECIFIED: 0 PLC ± - 1 PLC ± - 2 PLC ± 0.13[005] 3 PLC ± - 4 PLC ± - ANGLES ± -		APVD K.DUSCHA 23/OCT/98 PRODUCT SPEC		NAME ASSEMBLY, PIN, POWER, VERTICAL, Z-PACK 2mm FB, 4 ROW, PRESS FIT LEADS, SEQUENCED	
MATERIAL		FINISH		SIZE	CAGE CODE	DRAWING NO	RESTRICTED TO
				A1	00779	5536634	
1 2		3		CUSTOMER DRAWING		SCALE 4:1	SHEET 1 OF 1 REV 0