

## TLR. | Clamps tensile compensated

Steel or stainless steel



### STANDARD EXECUTIONS

- **TLR.Z:** zinc-plated steel.
- **TLR.SST:** AISI 304 stainless steel.

### FEATURES AND APPLICATIONS

TLR hook clamps are particularly suitable for use on doors subject to vibrations for the action of tensile compensation exerted by the springs.



## TLU. | Adjustable hook clamps

Steel



### LEVER BODY AND CATCH BRACKET MATERIAL

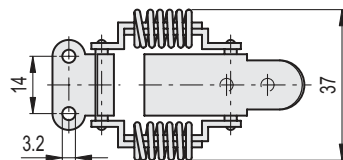
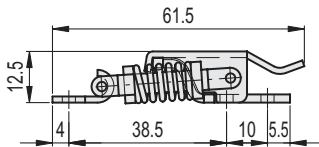
Zinc-plated steel.

### FEATURES AND APPLICATIONS

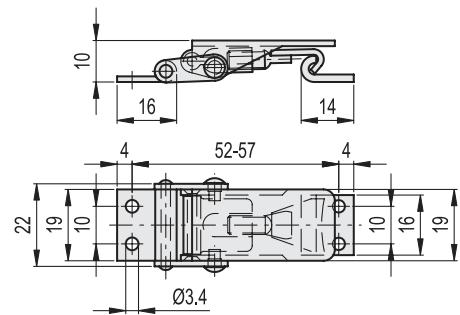
TLU hook clamps are particularly suitable for use on inclined surfaces.



- 1
- 2
- 3
- 4
- 5
- 6
- 7
- 8
- 9
- 10
- 11
- 12
- 13
- 14
- 15
- 16
- 17
- 18



METRIC



METRIC

### TLR.Z

Code	Description	Max. working load [N]	Load at breakage [N]	⚖️
420202	TLR.Z-37/61,5+R	500	1500	35

Code	Description	Max. working load [N]	Load at breakage [N]	⚖️
420232	TLU.Z-19/60-65+R	750	1500	35

### TLR.SST



420201	TLR.SST-37/61,5+R	500	1500	35
--------	-------------------	-----	------	----