

## 1 Scope

The present specifications shall apply to a RS4FS.

## 2 Outline

Type	Silicon Diode (Mesa Type)	
Structure	Resin Molded	Flammability:UL94-V0 (Equivalent)
Applications	Damper Circuit	

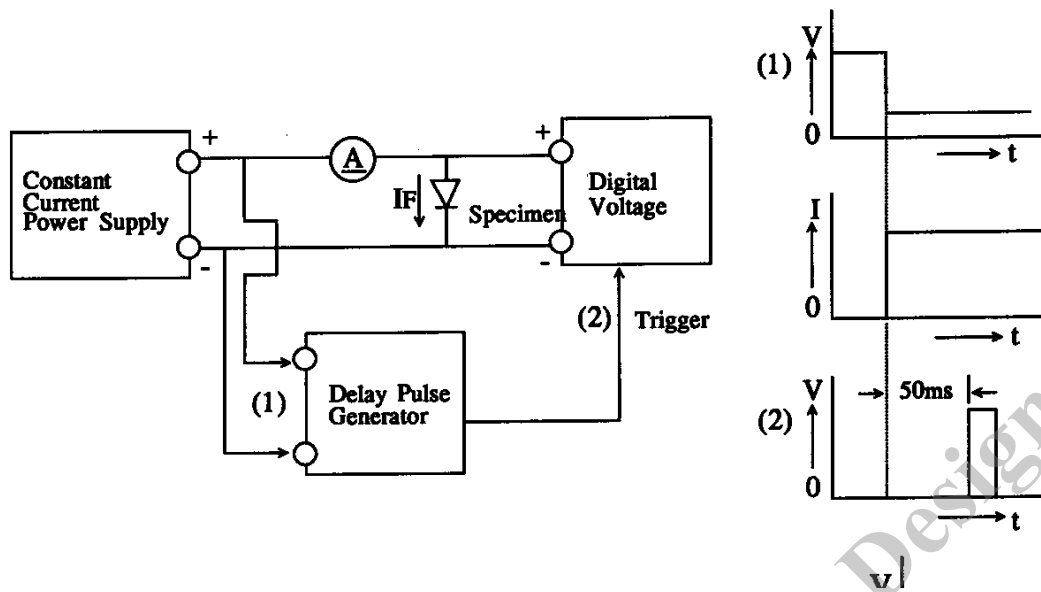
## 3 Absolute maximum ratings

No.	Item	Symbol	Unit	Rating	Conditions	
1	Transient Peak Reverse Voltage	$V_{RSM}$	V	1500		
2	Peak Reverse Voltage	$V_{RM}$	V	1500		
3	Average Forward Current	$I_{F(AV)}$	A	1.5 (Ta=60°C)	Without heatsink	Refer to derating curve in Section 6
				2.5 (Ta=60°C)	With heatsink	
4	Peak Surge Forward Current	$I_{FSM}$	A	50	10ms. Half sine wave, one shot	
5	Junction Temperature	$T_j$	°C	-40 to +150		
6	Storage Temperature	$T_{stg}$	°C	-40 to +150		

## 4 Electrical characteristics (Ta=25°C, unless otherwise specified)

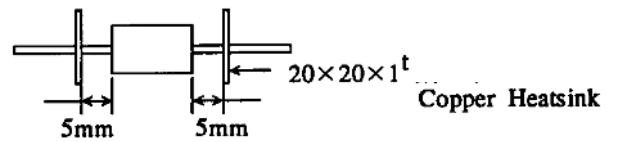
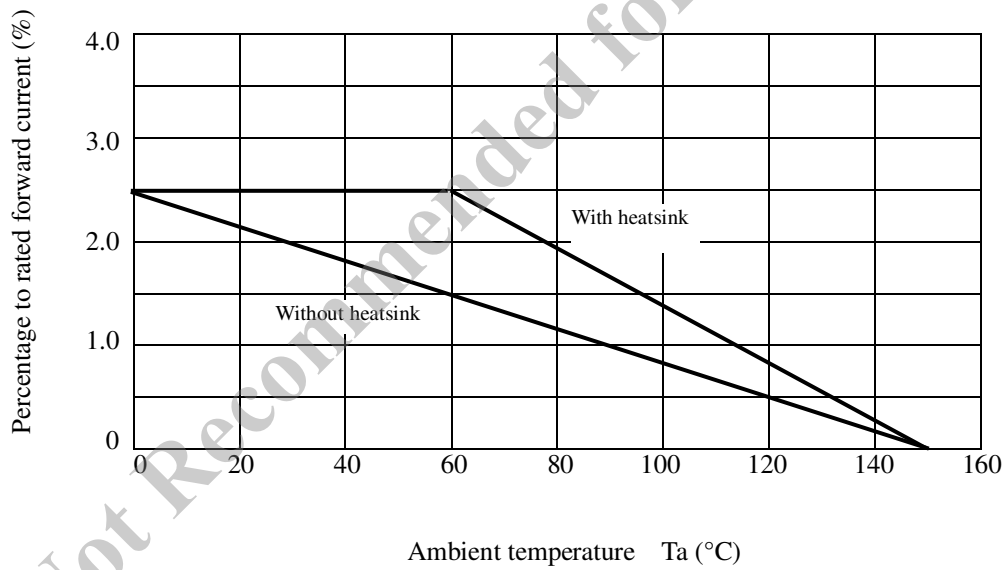
No.	Item	Symbol	Unit	Value	Conditions
1	Forward Voltage Drop	$V_F$	V	1.50 max.	$I_F=3.0A$
2	Reverse Leakage Current	$I_R$	μA	50 max.	$V_R=V_{RM}$
3	Reverse Leakage Current Under High Temperature	$H \cdot I_R$	μA	500 max.	$V_R=V_{RM}, T_j=100^\circ C$
4	Reverse Recovery Time	trr-1	μs	1.0 max.	$I_F=I_{RP}=100mA$ 90% Recovery point, $T_j=25^\circ C$
		trr-2	μs	0.4 max.	$I_F=0.1A, I_{RP}=0.2A,$ 75% Recovery point, $T_j=25^\circ C$
5	Thermal Resistance	$R_{th(j-l)}$	°C/W	8 max.	Between Junction and Lead

5  $V_F$  test and test circuit



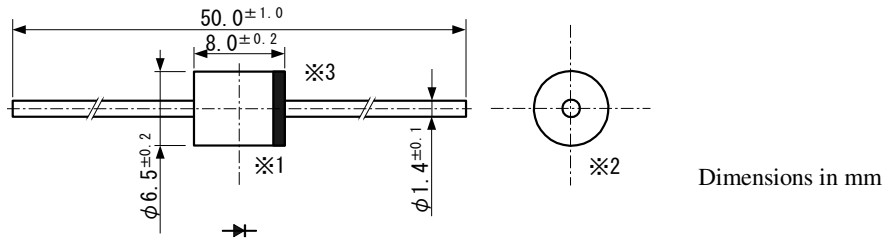
6 Derating

Derating to the ambient temperature.  
Power loss generated by voltage is not taken into consideration.



7 Package information

7-1 Package type, physical dimensions and material

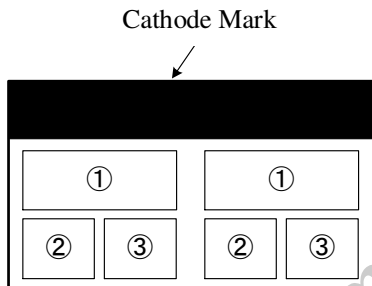


- \*1 Wire diameter of lead tips is  $\phi 1.55\text{mm}$ (max.)
- \*2 The allowance position of body against the center of whole lead wire is 0.5mm (max.)
- \*3 The centric allowance of lead wire against center of physical body is 0.3mm (max.)
- \*4 The burr may exit up to 2mm from the body of lead

7-2 Appearance

The body shall be clean and shall not bear any stain, rust or flaw.

7-3 Marking



- ① Type number : RS4FS
- ② Lot number 1
  - First digit: Last digit of Year
  - Second digit: Month
  - From 1 to 9 for Jan. to Sep.
  - O for Oct., N for Nov., and D for Dec.
- ③ Lot number 2 (ten days)
  - Top of the month
  - Middle of month
  - End of month

The Type number and Lot number are to be marked in Yellow.