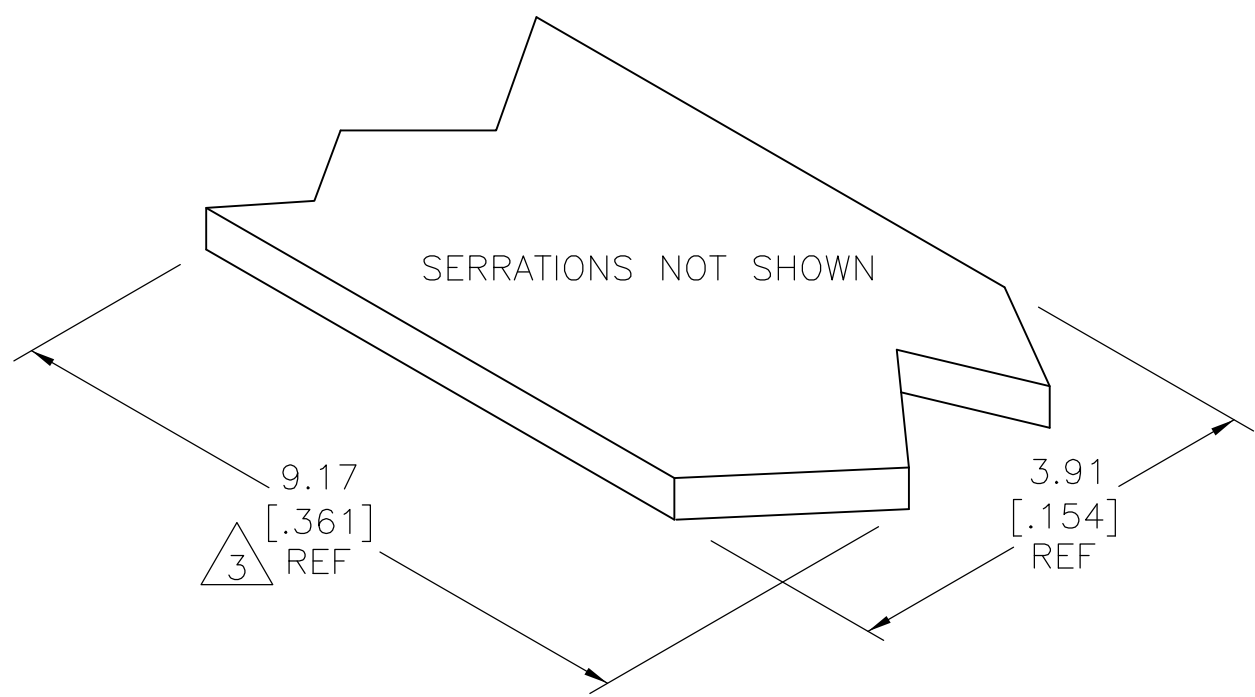
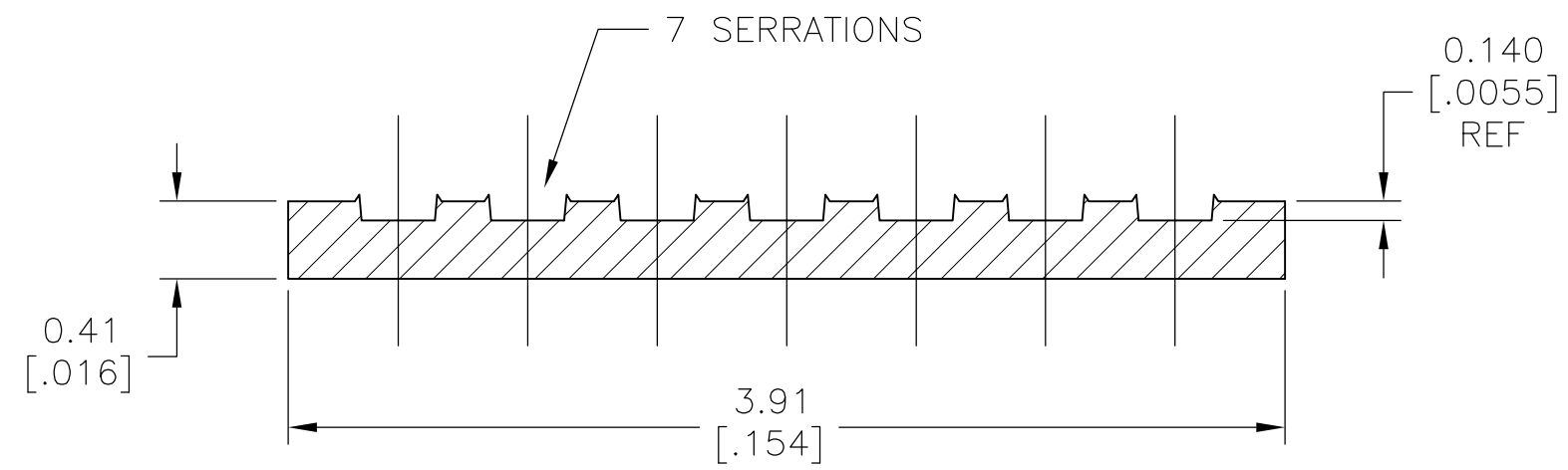


THIS DRAWING IS UNPUBLISHED. RELEASED FOR PUBLICATION  
 © COPYRIGHT BY TYCO ELECTRONICS CORPORATION. ALL INTERNATIONAL RIGHTS RESERVED.

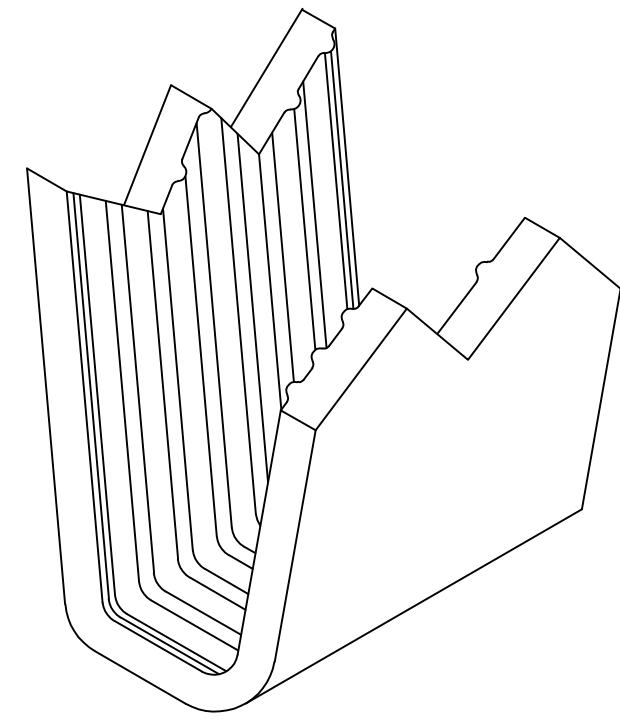
LOC	DIST	REVISIONS			
P	LTR	DESCRIPTION	DATE	DWN	APVD
—	—	A	NEW P/N PER RTS 240665.1	20NOV09	HMR GP



- 1 CRIMPBAND MATERIAL PROVIDED IN CONTINUOUS STRIP.
- 2 REFERENCE DESCRIPTIVE PART NUMBER L076/0926R16BX.
- 3 BLANK LENGTH DETERMINED BY 076/092 TOOLSET.



TYP. CROSS SECTION



PARTIAL FORMED VIEW (REF)  
FORMED BY APPLICATION TOOLING

1601335-1  
PART NUMBER

THIS DRAWING IS A CONTROLLED DOCUMENT.		DWN RAGHAVENDRA 20NOV09	Tyco Electronics Corporation Harrisburg, PA 17105-3608		
DIMENSIONS: mm [INCHES]		CHK G PORTA 20NOV09	NAME		
TOLERANCES UNLESS OTHERWISE SPECIFIED:		APVD G PORTA 20NOV09	CRIMPBAND, MTM		
0 PLC ± -		PRODUCT SPEC	SIZE		
1 PLC ± -		APPLICATION SPEC	CAGE CODE	DRAWING NO	RESTRICTED TO
2 PLC ± -		—	A3 00779 C-1601335		—
3 PLC ± 0.13 [.005]		—	SCALE 1:1 SHEET 1 OF 1 REV A		
4 PLC ± -		—			
ANGLES ± -		—			
MATERIAL UNS C26000 BRASS	FINISH TIN	WEIGHT —			
		CUSTOMER DRAWING			