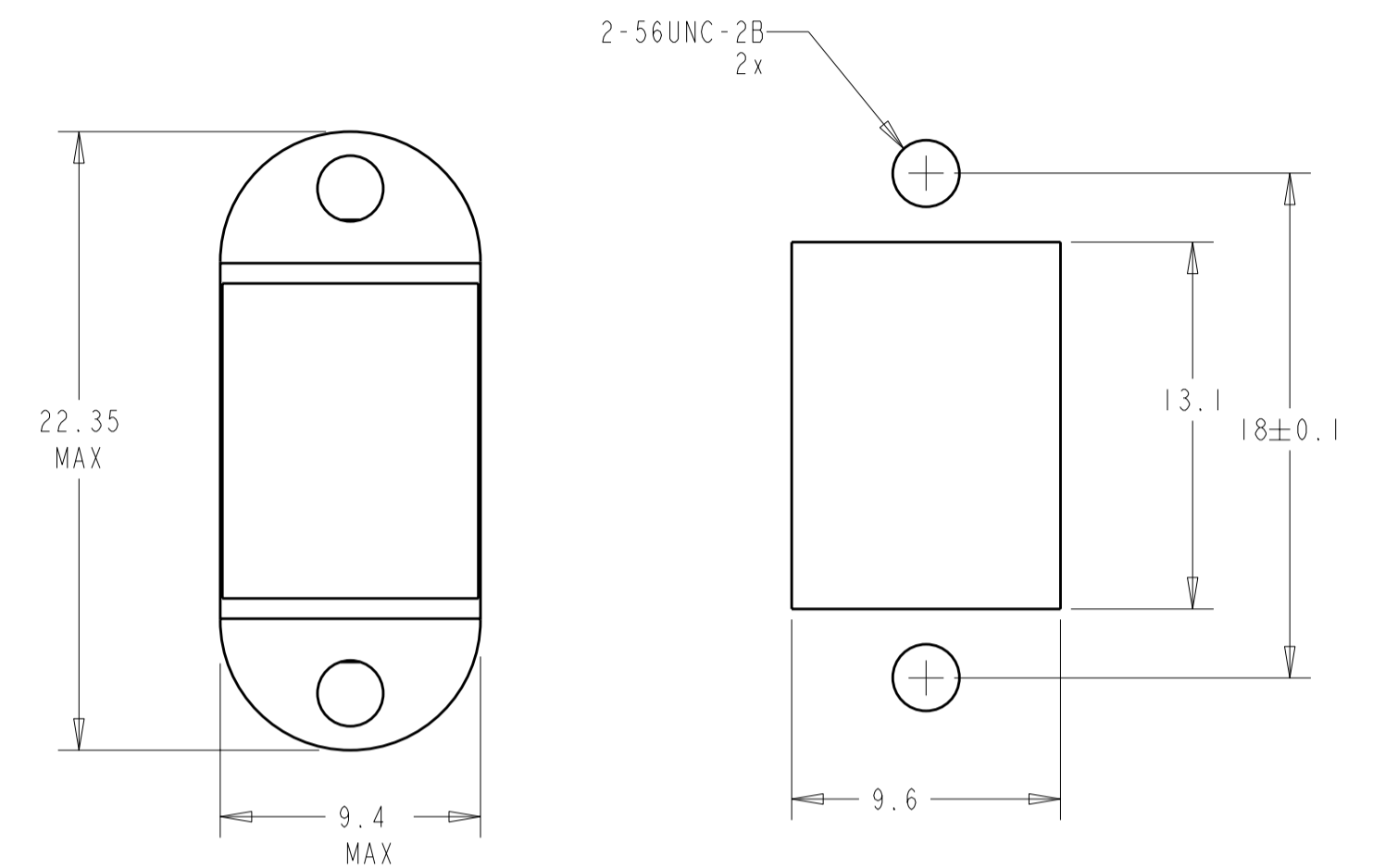
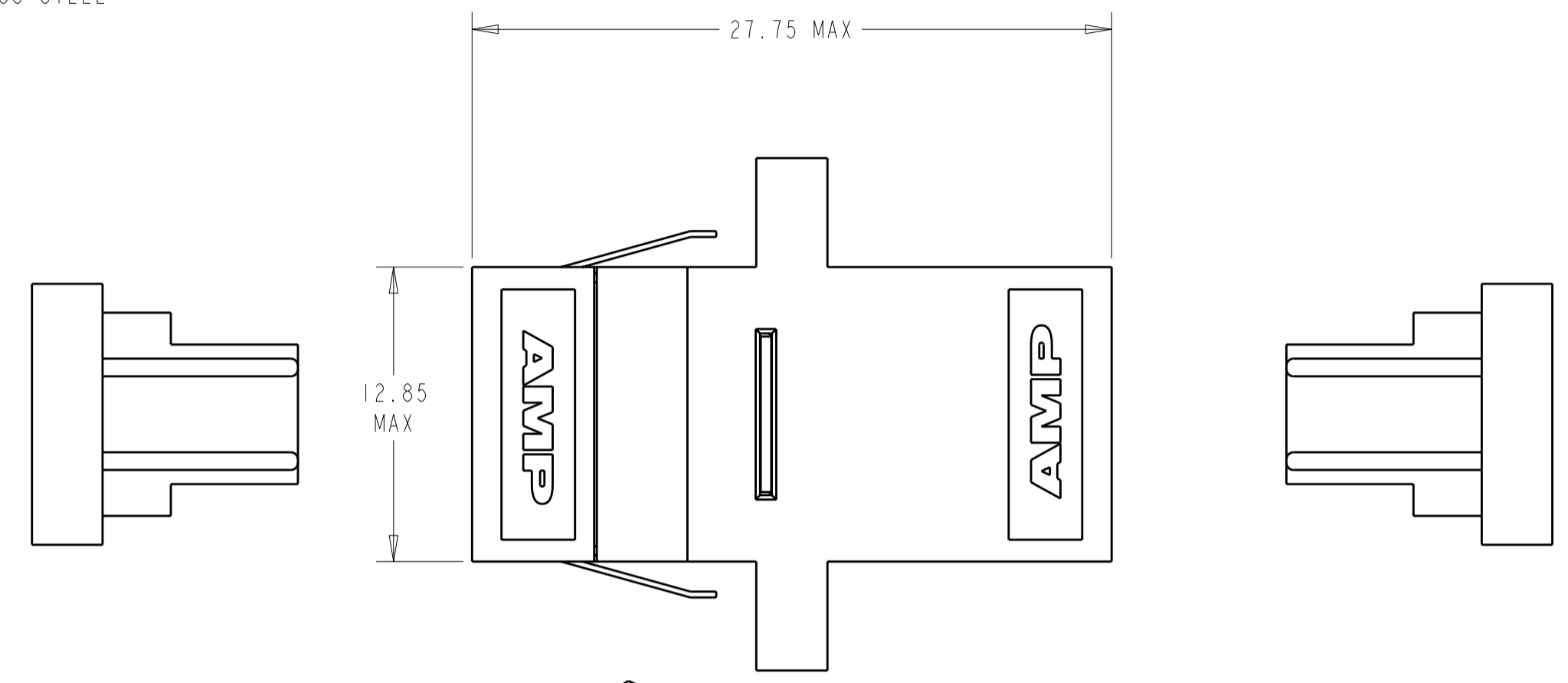


THIS DRAWING IS UNPUBLISHED. RELEASED FOR PUBLICATION
 © COPYRIGHT 19 BY TYCO ELECTRONICS CORPORATION. ALL RIGHTS RESERVED.

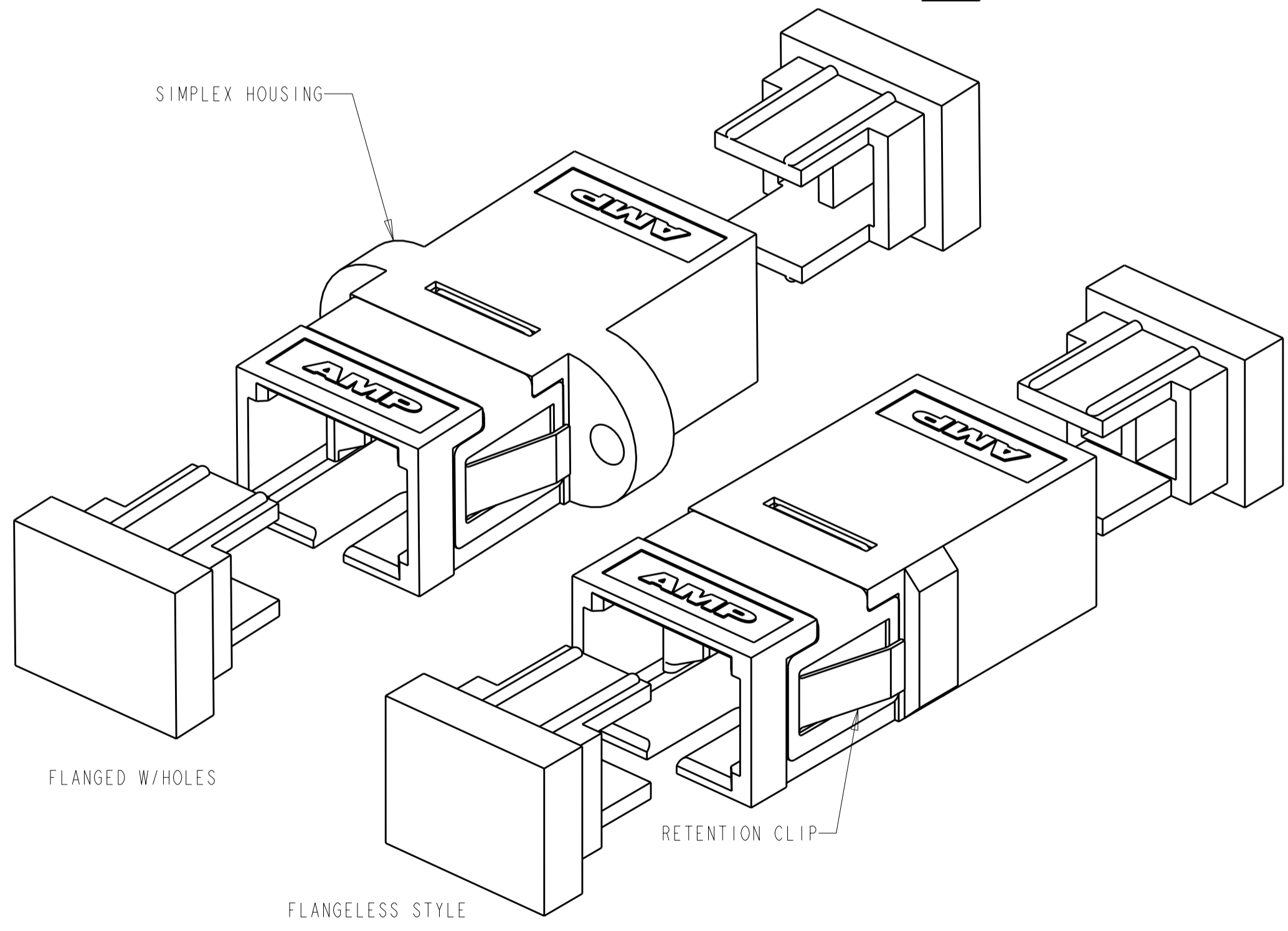
LOC	DIST	REVISIONS			
P	LTR	DESCRIPTION	DATE	DWN	APVD
CE	00	A	RELEASE TO ACTIVE	07JUN2006	BB SM

1 MATERIAL:
 HOUSING: DIECAST ZINC, NICKEL PLATED
 SLEEVE: SEE DASH NO'S
 RETAINER: PEI GF30, COLOR: BLACK, UL94 V-0 RATED AT QUALIFYING THICKNESS.
 PROTECTIVE COVER: TPE, COLOR: BLACK, UL94 V-0 RATED AT QUALIFYING THICKNESS.
 RETENTION CLIP: STAINLESS STEEL

2 BULK PACKAGE.



SUGGESTED PANEL CUTOUT
 MAX PANEL THICKNESS 1.7



ALIGNMENT SLEEVE	DESCRIPTION	PART NO
2	CERAMIC FLANGED W/HOLES, NO CLIP	1-6278348-2
2	CERAMIC FLANGELESS, NO CLIP	1-6278348-0
2	METAL FLANGED W/HOLES, NO CLIP	6278348-9
2	CERAMIC FLANGELESS	6278348-8
	CERAMIC FLANGELESS	6278348-7
2	METAL FLANGELESS	6278348-6
	METAL FLANGELESS	6278348-5
2	CERAMIC FLANGED W/HOLES	6278348-4
	CERAMIC FLANGED W/HOLES	6278348-3
2	METAL FLANGED W/HOLES	6278348-2
	METAL FLANGED W/HOLES	6278348-1

THIS DRAWING IS A CONTROLLED DOCUMENT FOR TYCO ELECTRONICS CORPORATION IT IS SUBJECT TO CHANGE AND THE CONTROLLING ENGINEERING ORGANIZATION SHOULD BE CONTACTED FOR THE LATEST REVISION.		DWN B. BRIGGS 12MAY2005 CHK S. MILLER 12MAY2005 APVD S. BUCHTER 12MAY2005	AMP AMP Incorporated Harrisburg, PA 17105-3608
DIMENSIONS: mm 		NAME RECEPTACLE ASSEMBLY, AMP SC TO SC PRODUCT SPEC - APPLICATION SPEC - WEIGHT -	
TOLERANCES UNLESS OTHERWISE SPECIFIED: 0 PLC ±- 1 PLC ±0.1 2 PLC ±- 3 PLC ±- 4 PLC ±- ANGLES ±- FINISH -		SIZE A2 CAGE CODE 00779 DRAWING NO C-6278348	RESTRICTED TO - SCALE 4:1 SHEET 1 OF 1 REV A
MATERIAL - 		CUSTOMER DRAWING	