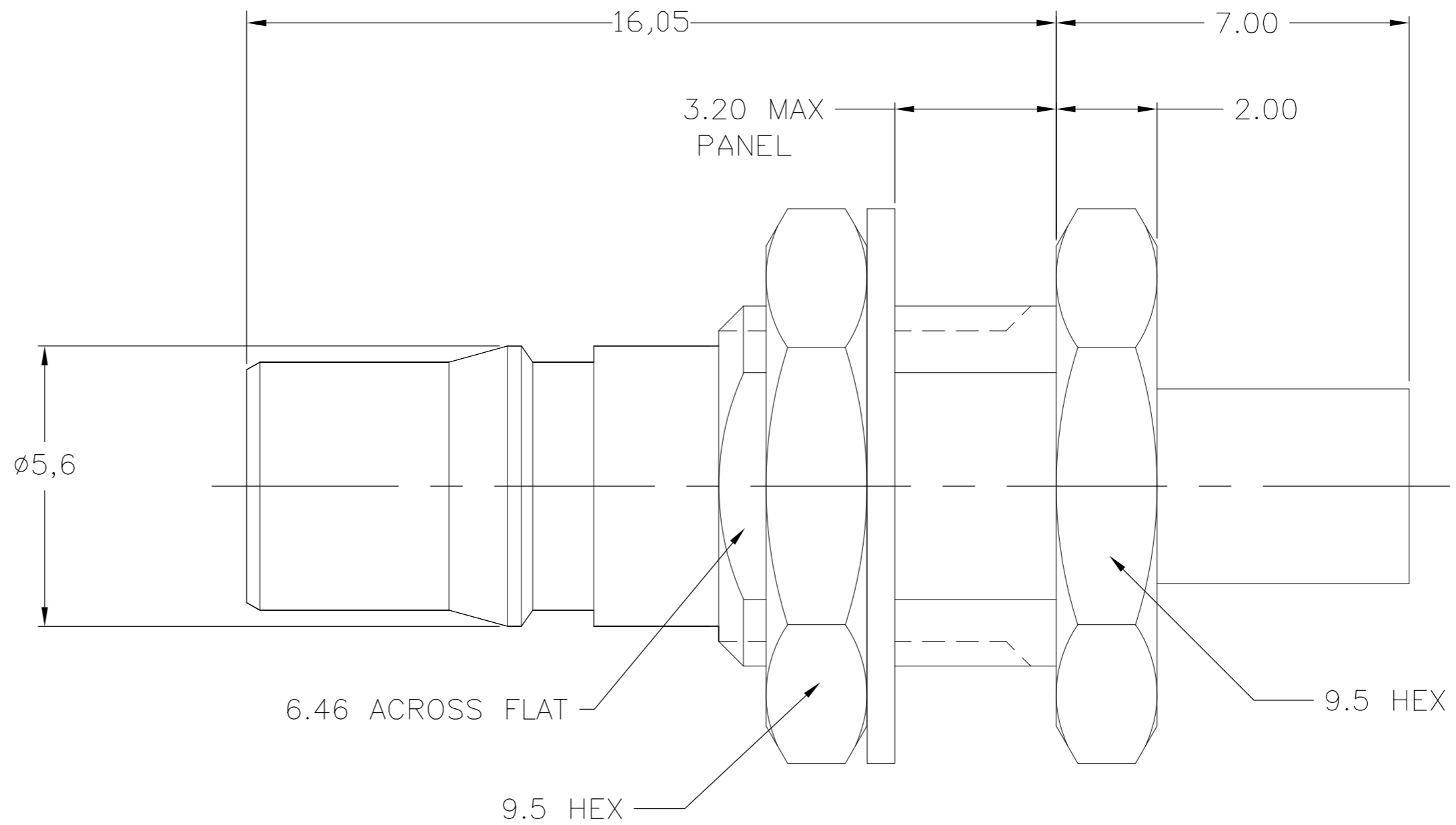
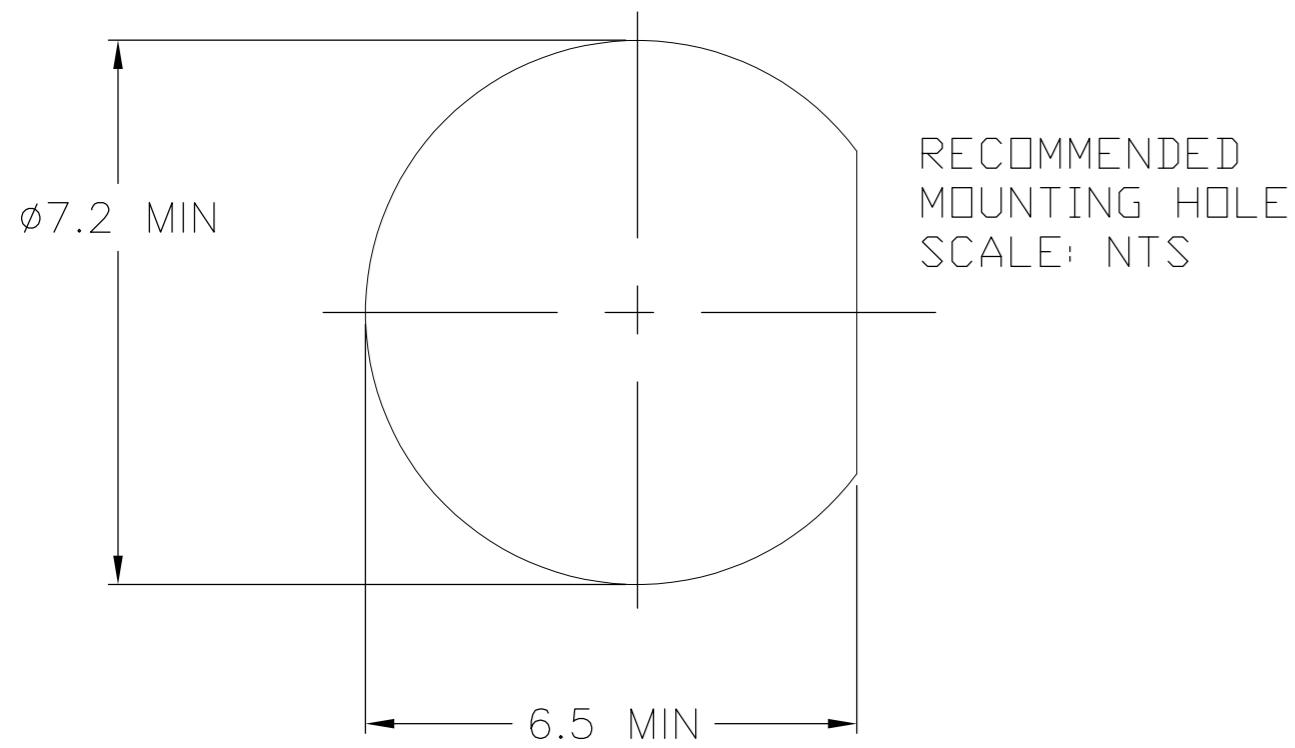
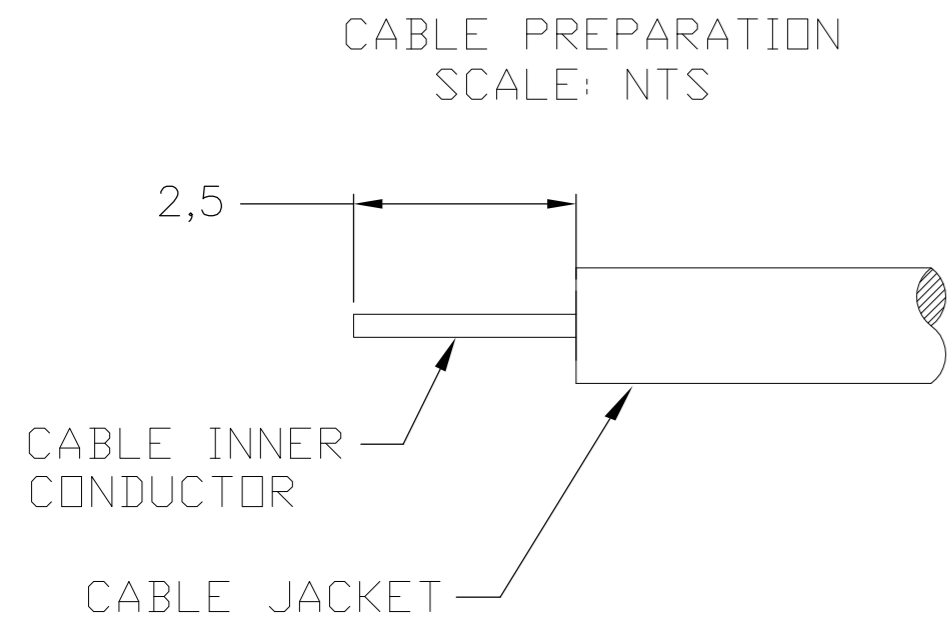


THIS DRAWING IS UNPUBLISHED. RELEASED FOR PUBLICATION
 © COPYRIGHT BY TYCO ELECTRONICS CORPORATION. ALL RIGHTS RESERVED.

LOC	DIST	REVISIONS			
P	LTR	DESCRIPTION	DATE	DWN	APVD
HC	00	REV PER ECO 09-011512	5/27/2009	DW	JO

- NOTES:
- DESIGNED FOR USE WITH .141 SEMI-RIGID (RG402/U) AND CONFORMABLE CABLES WITH SIMILAR DIAMETERS
 - ASSEMBLE TO CABLE USING IS 408-8905



CENTER CONTACT	BERYLLIUM COPPER	GOLD
HOUSING NUT	BRASS	GOLD
WASHER	BRONZE	GOLD
DIELECTRIC	PTFE	N/A
COMPONENT	MATERIAL	FINISH

8-1403077-1	5-1403080-9	1408411-8	1408461-1	1408349-1
MTG NUT	WASHER	CONTACT	HSG ASSY	PART NO.

THIS DRAWING IS A CONTROLLED DOCUMENT.

DWN	D Cam	11Nov2002	Tyco Electronics Corporation Norwood, MA 02062			
CHK	-	-				
APVD	D Cam	3/5/04	NAME QMA STRAIGHT CABLE JACK DIRECT SOLDER ATTACHMENT			
PRODUCT SPEC	108-2087					
APPLICATION SPEC	-		SIZE	CAGE CODE	DRAWING NO	RESTRICTED TO
MATERIAL	-	WEIGHT	A2	00779	C=1408349	-
FINISH	-	CUSTOMER DRAWING	SCALE	10:1	SHEET	1 OF 1
					REV	A