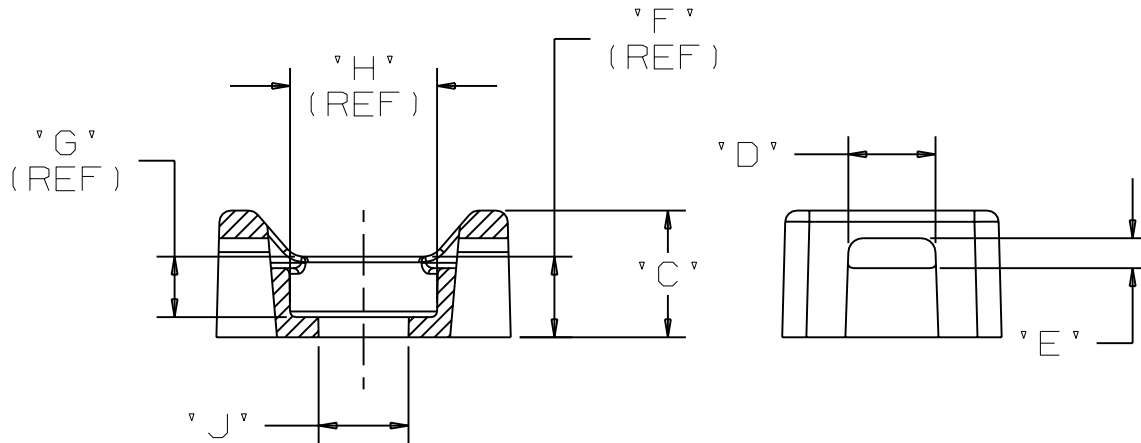
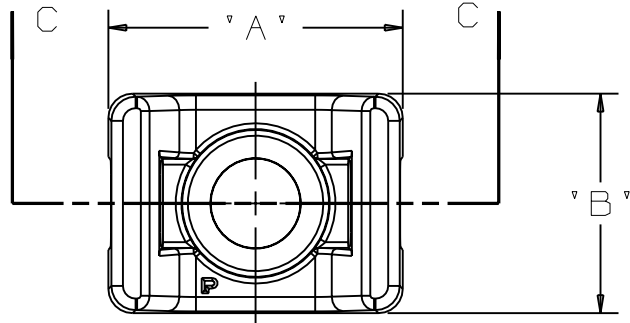


THIS COPY IS PROVIDED ON A RESTRICTED BASIS AND IS NOT TO BE USED IN ANY WAY DETRIMENTAL TO THE INTERESTS OF PANDUIT CORP.

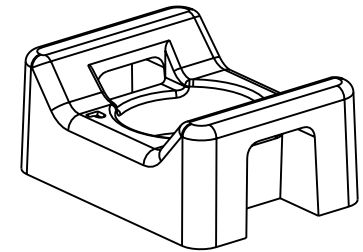
PANDUIT PART NO	REC'M FASTENER	DIMENSIONS									WEIGHT	
		'A'	'B'	'C'	'D'	'E'	'F'	'G'	'H'	'J'	lbs 100	(g) pcs
TMSG1S6-____ SGTM1S6-____	#6 (M3) SCREW	0.51 (12.95)	0.38 (9.65)	0.22 (5.6)	0.151 (3.84)	0.051 (1.30)	0.14 (3.56)	0.10 (2.54)	0.257 (6.53)	0.153 (3.90)	0.78 (353.8)	

USE WITH THESE
CABLE TIE
CROSS SECTIONS

M,
SG100M



SECTION C - C



DIMENSIONS IN BRACKETS ARE METRIC [mm]

CAD FILENAME/LAYERS G03150FJ_PB_SGTM1S6_00

PANDUIT CORP. TINLEY PARK, ILLINOIS

TIE MOUNT FOR SUPER GRIP TIES
(SGTM1S6- _ TMSG1S6- _)

UNLESS OTHERWISE SPECIFIED,
DIMENSIONAL TOLERANCES ARE:
(.X) ±0.05 (1.3) (.XXX) ±0.010 (0.25)
(.XX) ±0.02 (0.5) ANGLES ±5°

UNLESS OTHERWISE SPECIFIED,
ALL DIMENSIONS ARE GIVEN
IN INCHES, THIRD ANGLE
PROJECTION.

DRAWN BY JAD

MAT'L: NYLON 6/6

SCALE 4X

DATE 8/17/06

CHK'D

DRAWING NO. GB3150FJ

DWG A

REV	DATE	BY	CHK	DESCRIPTION	ECN	R	CUST	SUP
R	8/17/06	JAD		INITIAL RELEASE	GB3150FJ	R		