

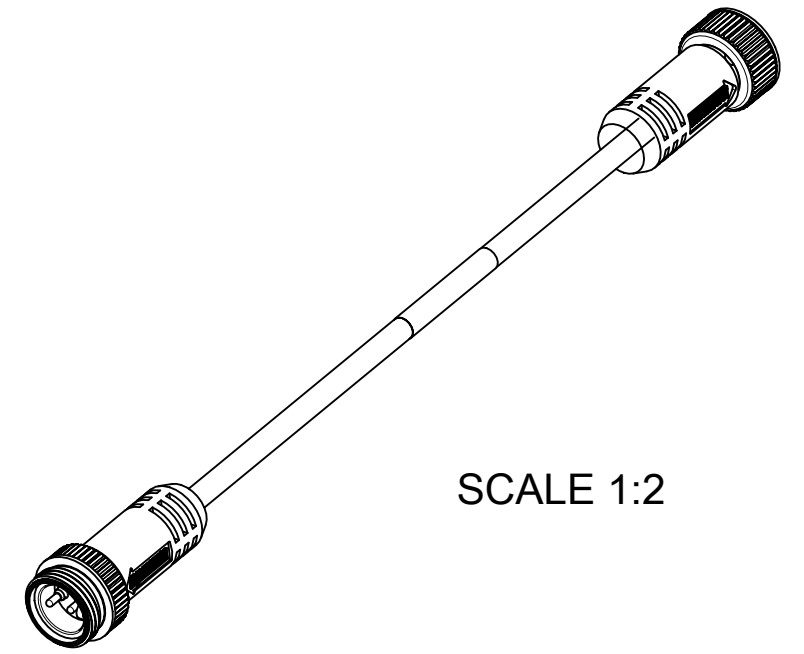
MATERIAL NO.	ENGINEERING NO.	FINISHED LENGTH
1300101718	112030A01F060	6FT (1.8M)
1300100208	112030A01M050	16FT 4.8IN (5M)
1300102031	112030A01F250	25FT (7.6M)

PART NO. MATRIX
112030A01-M005

FINISHED LENGTH
F010 = 1.0 FEET
F100 = 10.0 FEET
M005= 0.5 METER
M010= 1 METER
M100= 10 METER

CABLE LENGTH TOLERANCES

<.3M [1FT]:	+19mm-0 [+.75in-0]
.3 - .9M [1 - 3FT]:	+44.5mm-0 [+1.75in-0]
.9 - 1.8M [3 - 6FT]:	+55.6mm-0 [+2.19in-0]
1.8 - 3.7M [6 - 12FT]:	+88.9mm-0 [+3.50in-0]
3.7 - 7.3M [12 - 24FT]:	+165.1mm-0 [+6.50in-0]
7.3-14.6M [24 - 48FT]:	+317.5mm-0 [+12.50in-0]
14.6 - 30.5M [48-100FT]:	+622.3mm-0 [+24.50in-0]
OVER 30M [100FT]	+2% OF FINISHED LENGTH

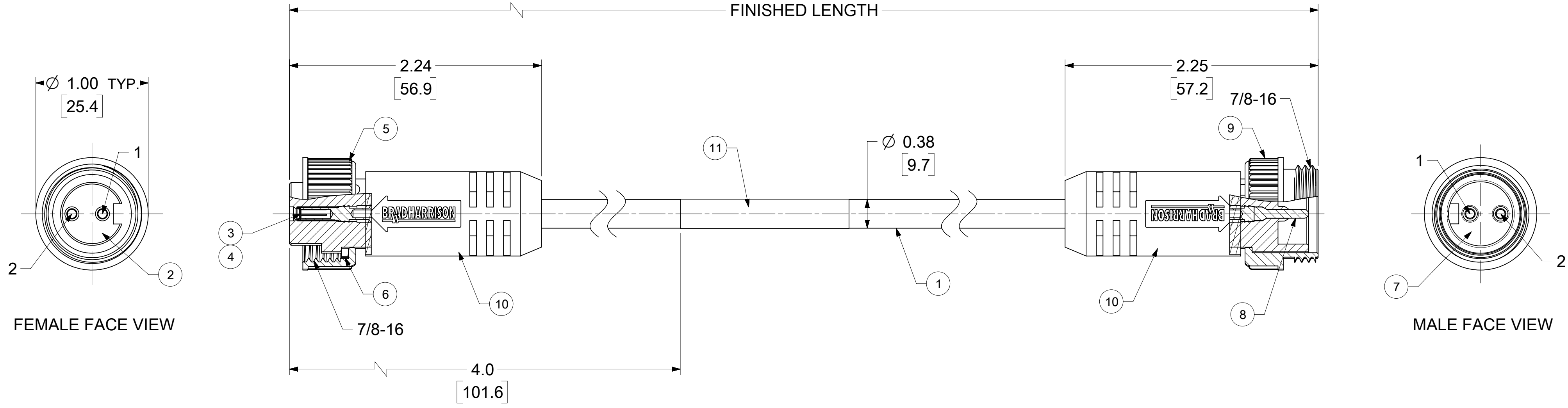


SCALE 1:2

- NOTES:**
1. MATERIAL: AS NOTED
 2. FINISH: AS NOTED
 3. ELECTRICAL SPECIFICATIONS
VOLTAGE RATING: 500V PER IEC60664
600V PER UL2238
CURRENT RATING: 13A
 4. TEMP RANGE: -20°C TO +105°C
 5. PROTECTION: IP67 (WHEN MATED)
 6. UL RECOGNIZED FILE: E152210
CSA CERTIFIED FILE: LR6837
 7. ALL DIMS ARE FOR REFERENCE UNLESS TOLERANCED OR NOTED OTHERWISE

WIRING DIAGRAM

1	WHITE	1
2	BLACK	2



11	LABEL	VINYL	BLACK/YELLOW	
10	OVERMOLD	TPE	YELLOW	(A)
9	COUPLING NUT, MALE	ZINC DIE-CAST	BLACK E-COAT	
8	CONTACT PIN	COPPER ALLOY	SELECTIVE GOLD/NICKEL	
7	MALE INSERT	TPE	YELLOW	(A)
6	FRICITION RING	NYLON	NATURAL	
5	COUPLING NUT, FEMALE	ZINC DIE-CAST	BLACK E-COAT	
4	SLEEVE	STAINLESS STEEL	-	
3	CONTACT SOCKET	COPPER ALLOY	SELECTIVE GOLD/NICKEL	
2	FEMALE INSERT	TPE	YELLOW	(A)
1	CABLE, 16/2 AWG	PVC JACKET	YELLOW	
ITEM	DESCRIPTION	MATERIAL	FINISH	

THIS DRAWING CONTAINS INFORMATION THAT IS PROPRIETARY TO MOLEX ELECTRONIC TECHNOLOGIES, LLC AND SHOULD NOT BE USED WITHOUT WRITTEN PERMISSION

DIMENSION UNITS	SCALE	CURRENT REV DESC: INITIAL RELEASE, PVC CHANGED TO TPE	
INCH/MM	1.5:1		
GENERAL TOLERANCES (UNLESS SPECIFIED)		EC NO: 648668	
	MM	INCH	
4 PLACES	±	±	DRWN: VASUTHKARP 2020/10/12
3 PLACES	±	±	CHK'D: RSTONE 2020/11/11
2 PLACES	±	±	APPR: BWOODMAN 2020/11/18
1 PLACE	±	±	INITIAL REVISION:
0 PLACES	±	±	DRWN: VASUTHKARP 2020/10/12
ANGULAR TOL	±	°	APPR: BWOODMAN 2020/11/18
DRAFT WHERE APPLICABLE MUST REMAIN WITHIN DIMENSIONS		THIRD ANGLE PROJECTION	DRAWING SERIES
			C-SIZE 130010
DOCUMENT STATUS		DOC TYPE	DOC PART
P1	RELEASE DATE	PSD	000
2020/11/18	23:03:21	1300100208	A
MATERIAL NUMBER		CUSTOMER	SHEET NUMBER
SEE TABLE		GENERAL MARKET	1 OF 1