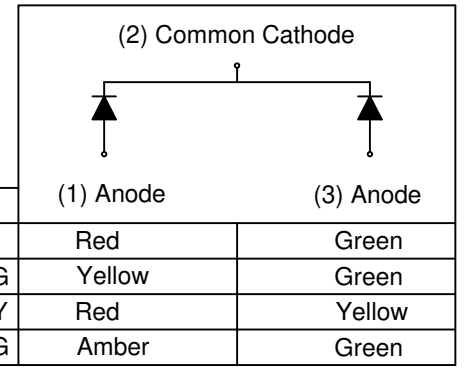
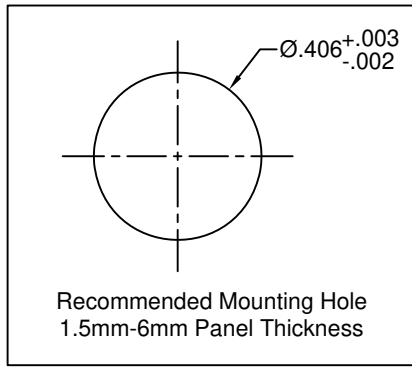
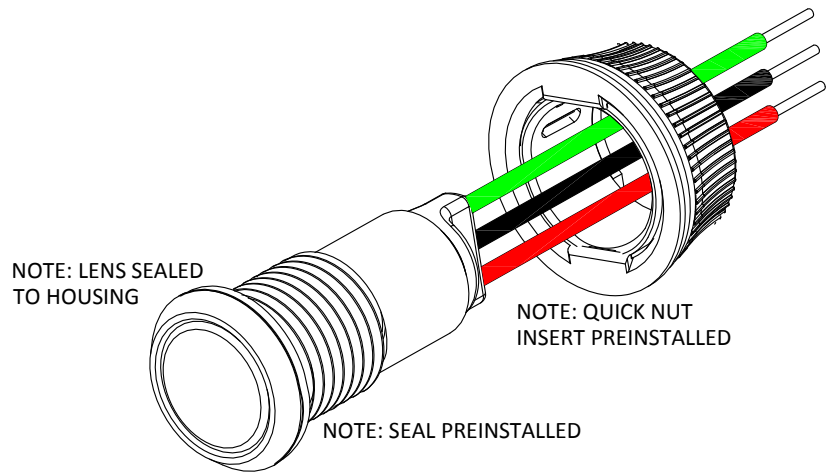
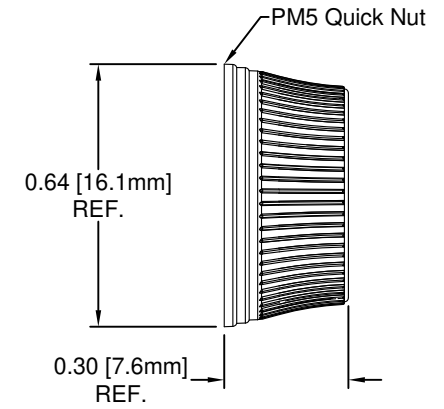
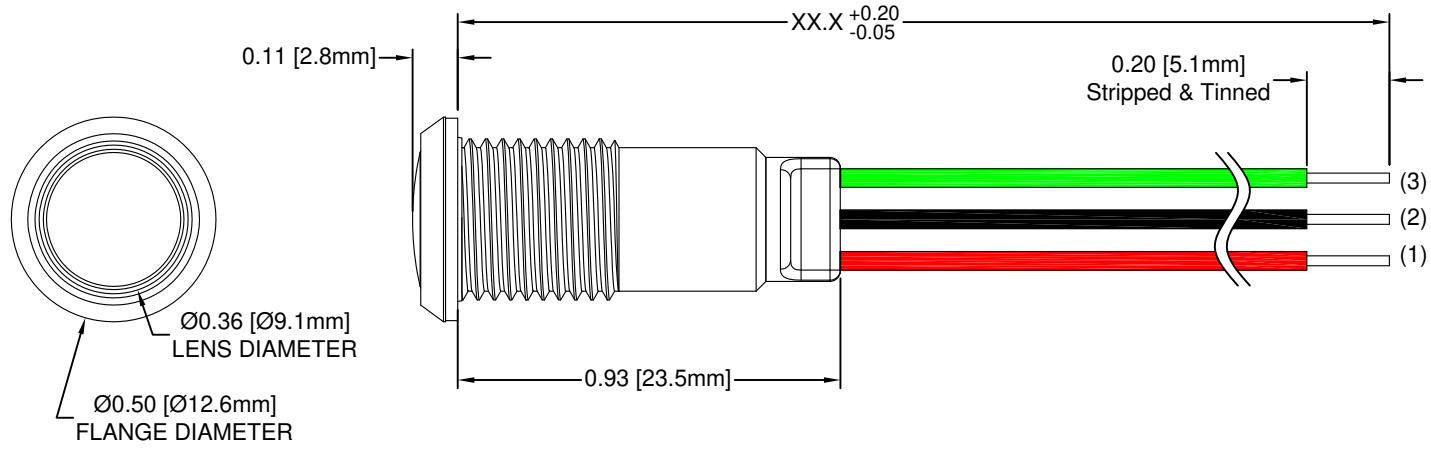


| REV. | DESCRIPTION                    | DATE     | APPROVED |
|------|--------------------------------|----------|----------|
| A    | Engineering Release            | 04/29/14 | J. C.    |
| B    | Added 5BC-3-A/G Spec on Page 2 | 08/22/16 | J. C.    |
|      |                                |          |          |
|      |                                |          |          |



EXAMPLE:  
**PM53-KNBCW6.5**  
 └── Wire Length in 0.5" Increments  
 └── LED Colors  
 └── Series

NOTES:  
 1. ROHS COMPLIANT  
 2. MOUNTING HARDWARE SHIPPED NON-ASSEMBLED


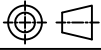
|   |                       |   |  |
|---|-----------------------|---|--|
| STANDARD TOLERANCE (UNLESS OTHERWISE SPECIFIED) |                       | <br>4 THOMAS, IRVINE, CA. 92618<br>TEL: (949) 951-8808 FAX: (949) 951-3974  |  |
| DECIMALS  | ANGULAR               |   |  |
| .X ± .1   | X° ± 1°               | <b>TITLE:</b> Quick-Mount Panel Mount Indicator w/ Wires, 3-Lead Bi-Color<br><b>PART NO:</b> PM53-KNXXWXX.X<br><b>REVISION:</b> B |  |
| .XX ± .02                                       |                       |   |  |
| .XXX ± .010                                     |                       |   |  |
| DESIGNED: <b>M. Doan</b>                        | DATE: <b>04/21/14</b> | <b>CAGE CODE :</b> 32559 <b>SHEET # 1 OF 2</b>  |  |
| CHECKED: <b>B. Oliver</b>                       | DATE: <b>04/21/14</b> | CAD GENERATED DOCUMENT. DO NOT MEASURE DRAWING.   |  |

|      |              |      |          |
|------|--------------|------|----------|
| REV. | DESCRIPTION  | DATE | APPROVED |
|      | SEE SHEET #1 |      |          |

| Assembly Part Number | LED P/N   | Peak Wave Length $\lambda_p$ (nm) | Emitted Color | Electro-Optical Data @ 20mA |                   | Viewing Angle |
|----------------------|-----------|-----------------------------------|---------------|-----------------------------|-------------------|---------------|
|                      |           |                                   |               | Typ Vf (VDC)                | Assembly Iv (mcd) |               |
|                      |           |                                   |               | TYP                         | TYP               |               |
| PM53-KNBCWXX.X       | 5BC-3     | 625                               | RED           | 2.0                         | 12                | 120           |
|                      |           | 568                               | GREEN         | 2.1                         | 12                |               |
| PM53-KNYGWXX.X       | 5BC-3-Y/G | 590                               | YELLOW        | 2.0                         | 11                | 120           |
|                      |           | 568                               | GREEN         | 2.1                         | 12                |               |
| PM53-KNRYWXX.X       | 5BC-3-R/Y | 625                               | RED           | 2.0                         | 12                | 120           |
|                      |           | 590                               | YELLOW        | 2.0                         | 11                |               |
| PM53-KNAGWXX.X       | 5BC-3-A/G | 605                               | AMBER         | 2.0                         | 11                | 120           |
|                      |           | 568                               | GREEN         | 2.1                         | 11                |               |

## ABSOLUTE MAXIMUM RATINGS (Ta = 25°C)

MAXIMUM REVERSE VOLTAGE \_\_\_\_\_ 5V  
 MAXIMUM POWER DISSIPATION \_\_\_\_\_ 150 mW  
 OPERATING TEMPERATURE RANGE \_\_\_\_\_ -30°C ~ 85°C  
 STORAGE TEMPERATURE \_\_\_\_\_ -40°C ~ 85°C

|   |         |   |                          |                                   |
|---|---------|---|--------------------------|-----------------------------------|
| STANDARD TOLERANCE<br>(UNLESS OTHERWISE SPECIFIED)                                    |         | <br>4 THOMAS, IRVINE, CA. 92618<br>TEL: (949) 951-8808 FAX: (949) 951-3974 |                          |                                   |
| DECIMALS  | ANGULAR |   |                          |                                   |
|  |         | <b>TITLE:</b> Quick-Mount Panel Mount Indicator w/ Wires, 3-Lead Bi-Color   |                          |                                   |
|   |         | DESIGNED:<br><b>M. Doan</b>   | DATE:<br><b>04/21/14</b> | <b>PART NO:</b><br>PM53-KNXXWXX.X |
| CHECKED:<br><b>B. Oliver</b>  |         | DATE:<br><b>04/21/14</b>  | <b>CAGE CODE : 32559</b> | <b>SHEET # 2 OF 2</b>             |
| CAD GENERATED DOCUMENT. DO NOT MEASURE DRAWING.                                       |         |   |                          |                                   |