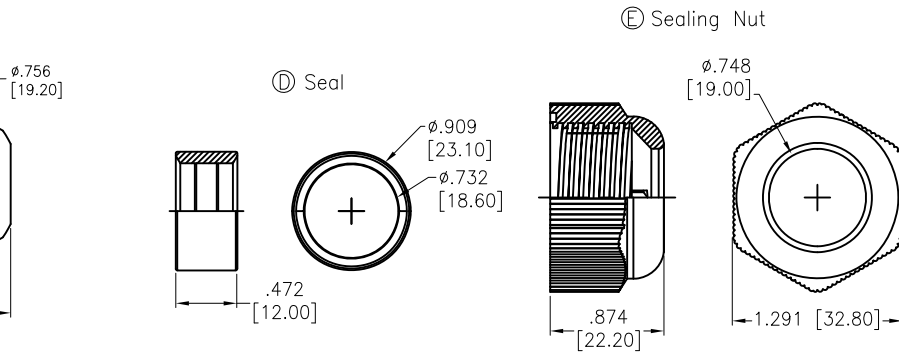
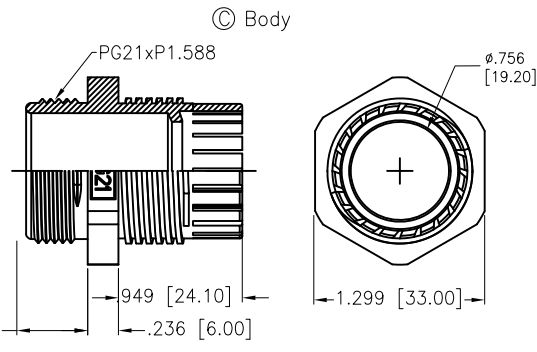
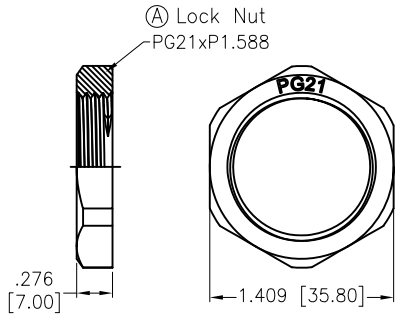


APPROVED: _____
 DATE: _____ TITLE: _____

Rev	AWO #	Description	Date	Appr
-		RELEASED	11/1/22	
A		UPDATE SPEC.	11/30/22	WX/RC



SPECIFICATIONS:

Material:

Lock Nut: PA66, rated UL 94V-2

Body: PA66, rated UL 94V-2

Sealing Nut: PA66, rated UL 94V-2

Washer: Nitrile Butylene

Seal: Nitrile Butylene

Mechanical:

Cable Range O.D.: 13-18 mm

Thread O.D. L2: 28.3mm

Thread Length L2: 12 mm

Spanner Size A&E: 36/33 mm

Nut Torque: 3Nm Max.

Temperature Rating:

-40°C to +100°C

Environmental:

Waterproof: IP68

Lead free, RoHS compliant.



UNLESS OTHERWISE SPECIFIED ALL DIMENSIONS ARE INCHES [MM]. TOLERANCES: EXCEPT AS NOTED

INCHES		HOLES	
.X	± .10	Ø.X	± .10
.XX	± .020	Ø.XX	± .015
.XXX	± .015	Ø.XXX	± .010



909 Rahway Avenue,
 Union, NJ 07083
 Phone: 908-687-5000
 Fax: 908-687-5710

DRAWN	JJ	11/1/22
CHECKED	RC	11/1/22
APPROVED		

TITLE: WATERPROOF CONNECTOR, PG21, 1 HOLE,
 CABLE GLAND, WATERPROOF: IP68

THIS DRAWING CONTAINS INFORMATION THAT IS PROPRIETARY AND SHOULD NOT BE USED WITHOUT PRIOR WRITTEN PERMISSION FROM ADAM TECH

SIZE	PART NO.	REV.
X	CG-P-21	A
REF: S00211C	SCALE: NTS	SHEET 1 OF 1