

## Description

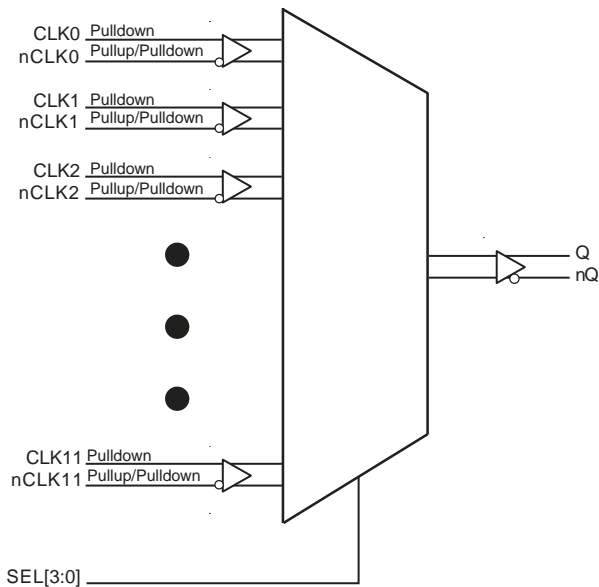
The ICS853S012I is an 12:1 Differential-to-3.3V or 2.5V LVPECL Clock/Data Multiplexer which can operate up to 3.2GHz. The ICS853S012I has twelve differential selectable clock inputs. The CLK, nCLK input pairs can accept LVPECL, LVDS or CML levels.

The fully differential architecture and low propagation delay make the device ideal for use in clock distribution circuits. The select pins have internal pull-down resistors.

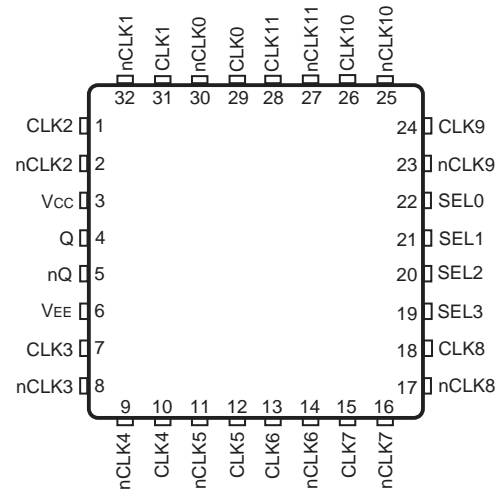
## Features

- High speed 12:1 differential multiplexer
- One differential 3.3V or 2.5V LVPECL output
- Twelve selectable differential clock or data inputs
- CLKx, nCLKx pairs can accept the following differential input levels: LVPECL, LVDS, CML
- Maximum output frequency: 3.2GHz
- Translates any single ended input signal to LVPECL levels with resistor bias on nCLKx input
- Additive phase jitter, RMS: 0.144ps (typical)
- Part-to-part skew: 250ps (maximum)
- Propagation delay: 1.15ns (maximum)
- Full 3.3V or 2.5V operating supply modes
- -40°C to 85°C ambient operating temperature
- Available lead-free (RoHS 6) package

## Block Diagram



## Pin Assignment



**ICS853S012I**

32-Lead VFQFN

5mm x 5mm x 0.925mm package body

K Package

Top View

**Table 1. Pin Descriptions**

| Number            | Name                      | Type   |                     | Description  |
|-------------------|---------------------------|--------|---------------------|--|
| 1                 | CLK2                      | Input  | Pulldown            | Non-inverting differential clock input.                                    |
| 2                 | nCLK2                     | Input  | Pullup/<br>Pulldown | Inverting differential clock input. $V_{CC}/2$ default when left floating. |
| 3                 | $V_{CC}$                  | Power  |                     | Positive supply pin.   |
| 4, 5              | Q, nQ                     | Output |                     | Differential output pair. LVPECL interface levels.                         |
| 6                 | $V_{EE}$                  | Power  |                     | Negative supply pin.   |
| 7                 | CLK3                      | Input  | Pulldown            | Non-inverting differential clock input.                                    |
| 8                 | nCLK3                     | Input  | Pullup/<br>Pulldown | Inverting differential clock input. $V_{CC}/2$ default when left floating. |
| 9                 | nCLK4                     | Input  | Pullup/<br>Pulldown | Inverting differential clock input. $V_{CC}/2$ default when left floating. |
| 10                | CLK4                      | Input  | Pulldown            | Inverting differential clock input.  |
| 11                | nCLK5                     | Input  | Pullup/<br>Pulldown | Inverting differential clock input. $V_{CC}/2$ default when left floating. |
| 12                | CLK5                      | Input  | Pulldown            | Inverting differential clock input.  |
| 13                | CLK6                      | Input  | Pulldown            | Non-inverting differential clock input.                                    |
| 14                | nCLK6                     | Input  | Pullup/<br>Pulldown | Inverting differential clock input. $V_{CC}/2$ default when left floating. |
| 15                | CLK7                      | Input  | Pulldown            | Non-inverting differential clock input.                                    |
| 16                | nCLK7                     | Input  | Pullup/<br>Pulldown | Inverting differential clock input. $V_{CC}/2$ default when left floating. |
| 17                | nCLK8                     | Input  | Pullup/<br>Pulldown | Inverting differential clock input. $V_{CC}/2$ default when left floating. |
| 18                | CLK8                      | Input  | Pulldown            | Inverting differential clock input.  |
| 19, 20,<br>21, 22 | SEL3, SEL2,<br>SEL1, SEL0 | Input  | Pulldown            | Clock select input pins. LVCMOS/LVTTL interface levels.                    |
| 23                | nCLK9                     | Input  | Pullup/<br>Pulldown | Inverting differential clock input. $V_{CC}/2$ default when left floating. |
| 24                | CLK9                      | Input  | Pulldown            | Inverting differential clock input.  |
| 25                | nCLK10                    | Input  | Pullup/<br>Pulldown | Inverting differential clock input. $V_{CC}/2$ default when left floating. |
| 26                | CLK10                     | Input  | Pulldown            | Inverting differential clock input.  |
| 27                | nCLK11                    | Input  | Pullup/<br>Pulldown | Inverting differential clock input. $V_{CC}/2$ default when left floating. |
| 28                | CLK11                     | Input  | Pulldown            | Inverting differential clock input.  |
| 29                | CLK0                      | Input  | Pulldown            | Inverting differential clock input.  |
| 30                | nCLK0                     | Input  | Pullup/<br>Pulldown | Inverting differential clock input. $V_{CC}/2$ default when left floating. |
| 31                | CLK1                      | Input  | Pulldown            | Inverting differential clock input.  |
| 32                | nCLK1                     | Input  | Pullup/<br>Pulldown | Inverting differential clock input. $V_{CC}/2$ default when left floating. |

NOTE: Pullup and Pulldown refer to internal input resistors. See Table 2, Pin Characteristics, for typical values.

## Table 2. Pin Characteristics

| Symbol                | Parameter               | Test Conditions | Minimum | Typical | Maximum | Units |
|-----------------------|-------------------------|-----------------|---------|---------|---------|-------|
| R <sub>PULLDOWN</sub> | Input Pulldown Resistor |                 |         | 50      |         | kΩ    |
| R <sub>PULLUP</sub>   | Input Pullup Resistor   |                 |         | 50      |         | kΩ    |
| C <sub>IN</sub>       | Input Capacitance       | SEL[3:0]        |         | 2       |         | pF    |

## Function Table

### Table 3. Control Input Function Table

| Inputs |      |      |      | Outputs |                 |
|--------|------|------|------|---------|-----------------|
| SEL3   | SEL2 | SEL1 | SEL0 | Q       | nQ              |
| 0      | 0    | 0    | 0    | CLK0    | nCLK0 (default) |
| 0      | 0    | 0    | 1    | CLK1    | nCLK1           |
| 0      | 0    | 1    | 0    | CLK2    | nCLK2           |
| 0      | 0    | 1    | 1    | CLK3    | nCLK3           |
| 0      | 1    | 0    | 0    | CLK4    | nCLK4           |
| 0      | 1    | 0    | 1    | CLK5    | nCLK5           |
| 0      | 1    | 1    | 0    | CLK6    | nCLK6           |
| 0      | 1    | 1    | 1    | CLK7    | nCLK7           |
| 1      | 0    | 0    | 0    | CLK8    | nCLK8           |
| 1      | 0    | 0    | 1    | CLK9    | nCLK9           |
| 1      | 0    | 1    | 0    | CLK10   | nCLK10          |
| 1      | 0    | 1    | 1    | CLK11   | nCLK11          |
| 1      | 1    | X    | X    | L       | H               |

## Absolute Maximum Ratings

NOTE: Stresses beyond those listed under *Absolute Maximum Ratings* may cause permanent damage to the device. These ratings are stress specifications only. Functional operation of product at these conditions or any conditions beyond those listed in the *DC Characteristics* or *AC Characteristics* is not implied. Exposure to absolute maximum rating conditions for extended periods may affect product reliability.

| Item  | Rating                   |
|---|--------------------------|
| Supply Voltage, $V_{CC}$                              | 4.6V                     |
| Inputs, $V_I$   | -0.5V to $V_{CC} + 0.5V$ |
| Outputs, $I_O$<br>Continuous Current<br>Surge Current | 50mA<br>100mA            |
| Package Thermal Impedance, $\theta_{JA}$              | 39.5°C/W (1 mps)         |
| Storage Temperature, $T_{STG}$                        | -65°C to 150°C           |

## DC Electrical Characteristics

**Table 4A. Power Supply DC Characteristics,  $V_{CC} = 3.3V \pm 5\%$ ;  $V_{EE} = 0V$ ,  $T_A = -40^\circ C$  to  $85^\circ C$**

| Symbol   | Parameter            | Test Conditions | Minimum | Typical | Maximum | Units |
|----------|----------------------|-----------------|---------|---------|---------|-------|
| $V_{CC}$ | Power Supply Voltage |                 | 3.135   | 3.3     | 3.465   | V     |
| $I_{EE}$ | Power Supply Current |                 |         |         | 70      | mA    |

**Table 4B. Power Supply DC Characteristics,  $V_{CC} = 2.5V \pm 5\%$ ;  $V_{EE} = 0V$ ,  $T_A = -40^\circ C$  to  $85^\circ C$**

| Symbol   | Parameter            | Test Conditions | Minimum | Typical | Maximum | Units |
|----------|----------------------|-----------------|---------|---------|---------|-------|
| $V_{CC}$ | Power Supply Voltage |                 | 2.375   | 2.5     | 2.625   | V     |
| $I_{EE}$ | Power Supply Current |                 |         |         | 67      | mA    |

**Table 4C. LVCMOS/LVTTL DC Characteristics,  $V_{CC} = 3.3V \pm 5\%$  or  $2.5V \pm 5\%$ ;  $V_{EE} = 0V$ ,  $T_A = -40^\circ C$  to  $85^\circ C$**

| Symbol   | Parameter          | Test Conditions   | Minimum | Typical | Maximum        | Units   |
|----------|--------------------|---|---------|---------|----------------|---------|
| $V_{IH}$ | Input High Voltage | $V_{CC} = 3.3V$   | 2.2     |         | $V_{CC} + 0.3$ | V       |
|          |                    | $V_{CC} = 2.5V$   | 1.7     |         | $V_{CC} + 0.3$ | V       |
| $V_{IL}$ | Input Low Voltage  | $V_{CC} = 3.3V$   | -0.3    |         | 0.8            | V       |
|          |                    | $V_{CC} = 2.5V$   | -0.3    |         | 0.7            | V       |
| $I_{IH}$ | Input High Current | SEL[3:0]<br>$V_{CC} = V_{IN} = 3.465V$ or $2.625V$        |         |         | 150            | $\mu A$ |
| $I_{IL}$ | Input Low Current  | SEL[3:0]<br>$V_{CC} = 3.465V$ or $2.625V$ , $V_{IN} = 0V$ | -10     |         |                | $\mu A$ |

**Table 4D. Differential DC Characteristics,  $V_{CC} = 3.3V \pm 5\%$  or  $2.5V \pm 5\%$ ;  $V_{EE} = 0V$ ,  $T_A = -40^{\circ}C$  to  $85^{\circ}C$** 

| Symbol    | Parameter                 | Test Conditions          | Minimum   | Typical | Maximum  | Units   |
|-----------|---------------------------|--------------------------|---|---------|----------|---------|
| $I_{IH}$  | Input High Current        | CLK[0:11],<br>nCLK[0:11] | $V_{CC} = V_{IN} = 3.465$ or<br>$2.625V$        |         | 150      | $\mu A$ |
| $I_{IL}$  | Input Low Current         | CLK[0:11]                | $V_{CC} = 3.465$ or $2.625V$ ,<br>$V_{IN} = 0V$ | -10     |          | $\mu A$ |
|           |                           | nCLK[0:11]               | $V_{CC} = 3.465$ or $2.625V$ ,<br>$V_{IN} = 0V$ | -150    |          | $\mu A$ |
| $V_{PP}$  | Peak-to-Peak Voltage      |                          | 0.15  |         | 1.5      | V       |
| $V_{CMR}$ | Common Mode Range; NOTE 1 |                          | 1.2   |         | $V_{CC}$ | V       |

NOTE 1: Common mode input voltage is defined as  $V_{IH}$ .

**Table 4E. LVPECL DC Characteristics,  $V_{CC} = 3.3V \pm 5\%$ ,  $V_{EE} = 0V$ ,  $T_A = -40^{\circ}C$  to  $85^{\circ}C$** 

| Symbol      | Parameter                         | Test Conditions | Minimum          | Typical | Maximum          | Units |
|-------------|-----------------------------------|-----------------|------------------|---------|------------------|-------|
| $V_{OH}$    | Output High Voltage; NOTE 1       |                 | $V_{CC} - 1.125$ |         | $V_{CC} - 0.935$ | V     |
| $V_{OL}$    | Output Low Voltage; NOTE 1        |                 | $V_{CC} - 1.895$ |         | $V_{CC} - 1.670$ | V     |
| $V_{SWING}$ | Peak-to-Peak Output Voltage Swing |                 | 0.6              |         | 1.0              | V     |

NOTE 1: Outputs termination with  $50\Omega$  to  $V_{CC} - 2V$ .

**Table 4F. LVPECL DC Characteristics,  $V_{CC} = 2.5V \pm 5\%$ ,  $V_{EE} = 0V$ ,  $T_A = -40^{\circ}C$  to  $85^{\circ}C$** 

| Symbol      | Parameter                         | Test Conditions | Minimum          | Typical | Maximum          | Units |
|-------------|-----------------------------------|-----------------|------------------|---------|------------------|-------|
| $V_{OH}$    | Output High Voltage; NOTE 1       |                 | $V_{CC} - 1.125$ |         | $V_{CC} - 0.835$ | V     |
| $V_{OL}$    | Output Low Voltage; NOTE 1        |                 | $V_{CC} - 1.895$ |         | $V_{CC} - 1.670$ | V     |
| $V_{SWING}$ | Peak-to-Peak Output Voltage Swing |                 | 0.6              |         | 1.0              | V     |

NOTE 1: Outputs termination with  $50\Omega$  to  $V_{CC} - 2V$ .

## AC Electrical Characteristics

**Table 5. AC Electrical Characteristics,  $V_{CC} = 3.3V \pm 5\%$  or  $2.5V \pm 5\%$ ;  $V_{EE} = 0V$ ,  $T_A = -40^{\circ}C$  to  $85^{\circ}C$**

| Symbol            | Parameter   | Test Conditions   | Minimum | Typical | Maximum | Units |
|-------------------|---|---|---------|---------|---------|-------|
| $f_{OUT}$         | Output Frequency  |   |         |         | 3.2     | GHz   |
| $t_{jit}$         | Buffer Additive Phase Jitter, RMS; refer to Additive Phase Jitter Section | $f_{OUT} = 155.52MHz$ , $V = 3.3V$<br>Integration Range:<br>12kHz – 20MHz |         | 0.144   |         | ps    |
|                   |   | $f_{OUT} = 155.52MHz$ , $V = 2.5V$<br>Integration Range:<br>12kHz – 20MHz |         | 0.164   |         | ps    |
| $t_{PD}$          | Propagation Delay;<br>NOTE 1  | CLKx, nCLKx to Q, nQ  | 425     |         | 875     | ps    |
| $t_{sk(pp)}$      | Part-to-Part Skew;<br>NOTE 2, 3   |   |         |         | 250     | ps    |
| $t_{sk(i)}$       | Input Skew  |   |         |         | 60      | ps    |
| $t_R / t_F$       | Output Rise/ Fall Time  | 20% to 80%  | 75      |         | 225     | ps    |
| $MUX_{ISOLATION}$ | Mux Isolation; NOTE 4   | $f_{OUT} = 155.52MHz$ ,<br>Input Peak-to-Peak = 800mV                     |         | 75      |         | dB    |

NOTE: All parameters characterized up to 1GHz unless noted otherwise.

NOTE: Electrical parameters are guaranteed over the specified ambient operating temperature range, which is established when the device is mounted in a test socket with maintained transverse airflow greater than 500 lpm. The device will meet specifications after thermal equilibrium has been reached under these conditions.

NOTE 1: Measured from the differential input crossing point to the differential output crossing point.

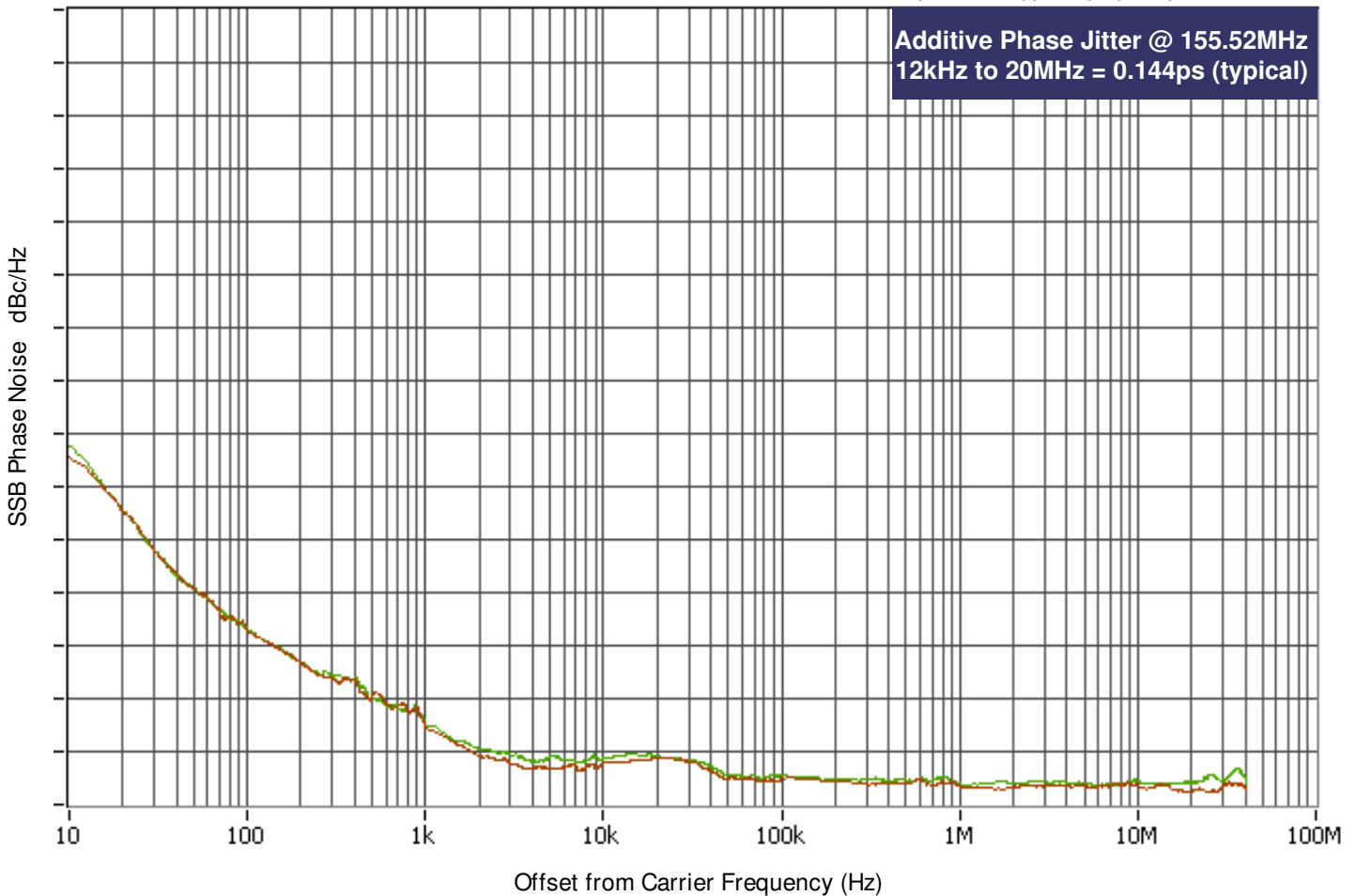
NOTE 2: Defined as skew between outputs on different devices operating at the same supply voltage, same frequency, same temperature and with equal load conditions. Using the same type of inputs on each device, the outputs are measured at the differential cross points.

NOTE 3: This parameter is defined in accordance to JEDEC Standard 65.

NOTE 4: Qx, nQx outputs measured differentially. See *MUX Isolation diagram* in the *Parameter Measurement Information section*.

## Additive Phase Jitter

The spectral purity in a band at a specific offset from the fundamental compared to the power of the fundamental is called the *dBc Phase Noise*. This value is normally expressed using a Phase noise plot and is most often the specified plot in many applications. Phase noise is defined as the ratio of the noise power present in a 1Hz band at a specified offset from the fundamental frequency to the power value of the fundamental. This ratio is expressed in decibels (dBm) or a ratio of the power in the 1Hz band to the power in the fundamental. When the required offset is specified, the phase noise is called a *dBc* value, which simply means dBm at a specified offset from the fundamental. By investigating jitter in the frequency domain, we get a better understanding of its effects on the desired application over the entire time record of the signal. It is mathematically possible to calculate an expected bit error rate given a phase noise plot.

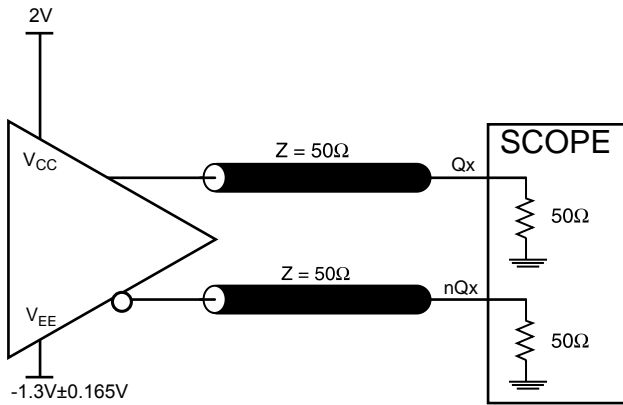


As with most timing specifications, phase noise measurements has issues relating to the limitations of the equipment. Often the noise floor of the equipment is higher than the noise floor of the device. This is illustrated above. The device meets the noise floor of what is shown, but can actually be lower. The phase noise is dependent on the input source and measurement equipment.

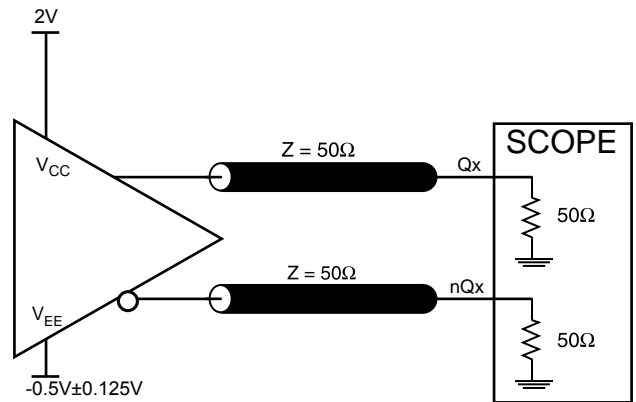
Measured using a Rohde & Schwarz SMA100 as the input source.

## Parameter Measurement Information

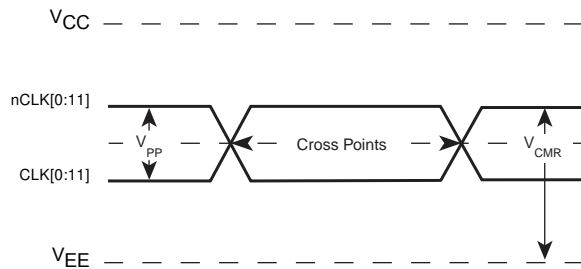
3.3V LVPECL Output Load AC Test Circuit



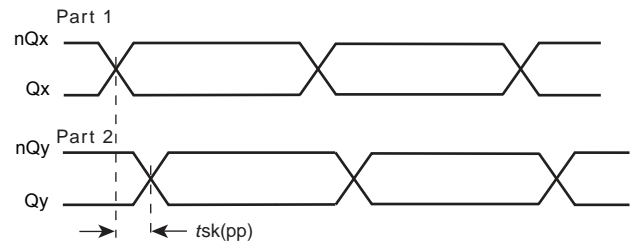
2.5V LVPECL Output Load AC Test Circuit



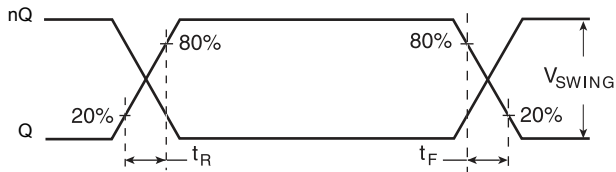
Differential Input Level



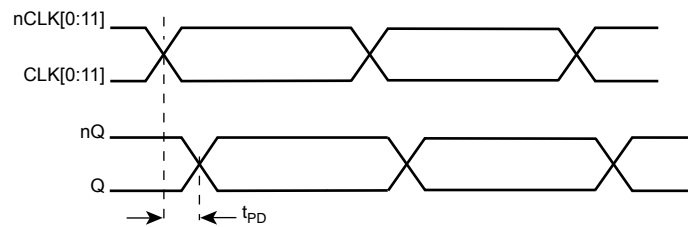
Part-to-Part Skew



Output Rise/Fall Time

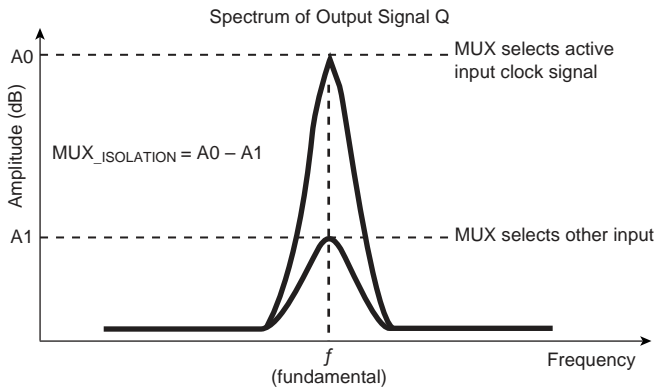


Propagation Delay

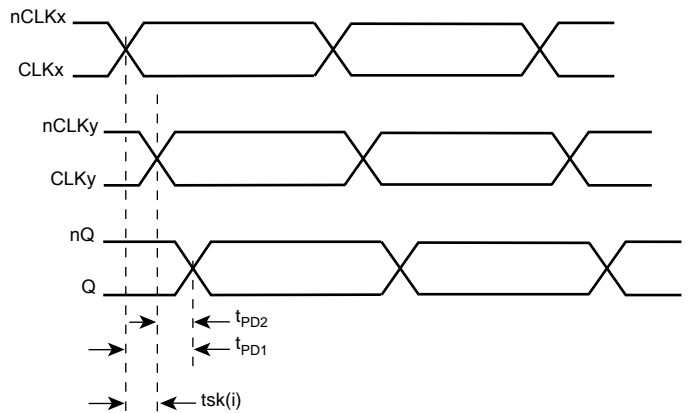




**MUX Isolation**



**Input Skew**



$$tsk(i) = |t_{PD1} - t_{PD2}|$$

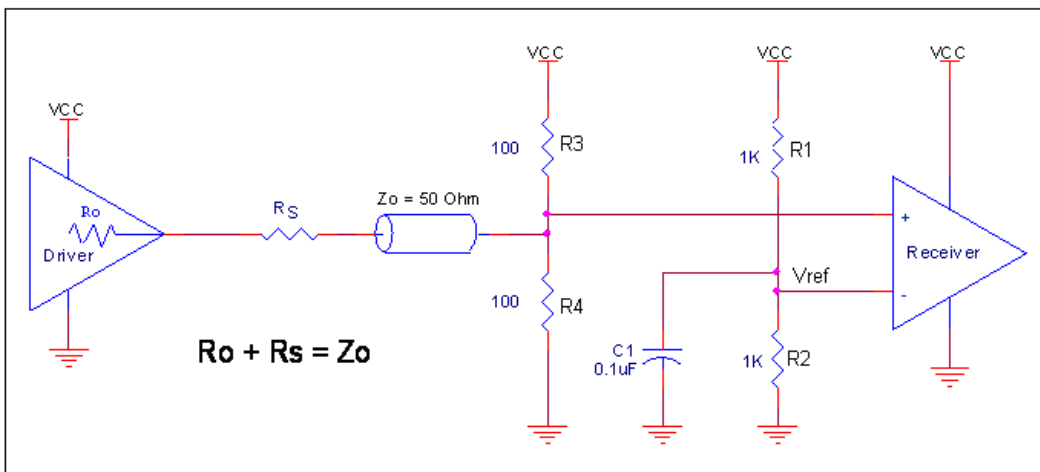
x, y = 0 to 11

**Applications Information**

**Wiring the Differential Input to Accept Single-Ended Levels**

Figure 1 shows how a differential input can be wired to accept single ended levels. The reference voltage  $V_{REF} = V_{CC}/2$  is generated by the bias resistors R1 and R2. The bypass capacitor (C1) is used to help filter noise on the DC bias. This bias circuit should be located as close to the input pin as possible. The ratio of R1 and R2 might need to be adjusted to position the  $V_{REF}$  in the center of the input voltage swing. For example, if the input clock swing is 2.5V and  $V_{CC} = 3.3V$ , R1 and R2 value should be adjusted to set  $V_{REF}$  at 1.25V. The values below are for when both the single ended swing and  $V_{CC}$  are at the same voltage. This configuration requires that the sum of the output impedance of the driver ( $R_o$ ) and the series resistance ( $R_s$ ) equals the transmission line impedance. In addition, matched termination at the input will attenuate the signal in half. This can be done in one of two ways. First, R3 and R4 in parallel should equal the transmission line impedance.

For most 50Ω applications, R3 and R4 can be 100Ω. The values of the resistors can be increased to reduce the loading for slower and weaker LVCMOS driver. When using single-ended signaling, the noise rejection benefits of differential signaling are reduced. Even though the differential input can handle full rail LVCMOS signaling, it is recommended that the amplitude be reduced. The datasheet specifies a lower differential amplitude, however  $V_{IL}$  cannot be less than -0.3V and  $V_{IH}$  cannot be more than  $V_{CC} + 0.3V$ . Though some of the recommended components might not be used, the pads should be placed in the layout. They can be utilized for debugging purposes. The datasheet specifications are characterized and guaranteed by using a differential signal.

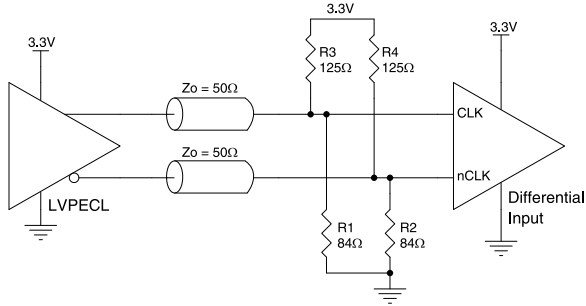


**Figure 1. Recommended Schematic for Wiring a Differential Input to Accept Single-ended Levels**

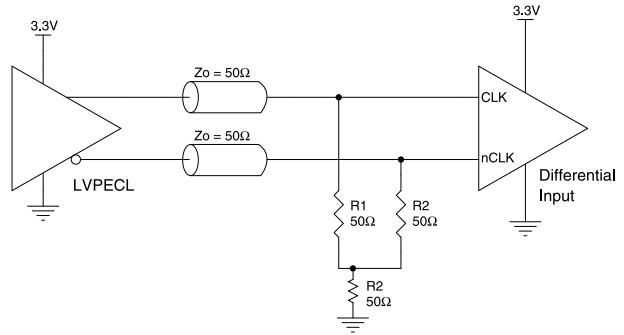
### 3.3V Differential Clock Input Interface

The CLK /nCLK accepts LVDS, LVPECL, CML and other differential signals. Both  $V_{SWING}$  and  $V_{OH}$  must meet the  $V_{PP}$  and  $V_{CMR}$  input requirements. Figures 2A to 2E show interface examples for the IN/nIN input with built-in 50Ω terminations driven by the most common driver types. The input interfaces suggested here are examples only. If the driver is from another vendor, use their termination recommendation. Please consult with the vendor of the driver component to confirm the driver termination requirements.

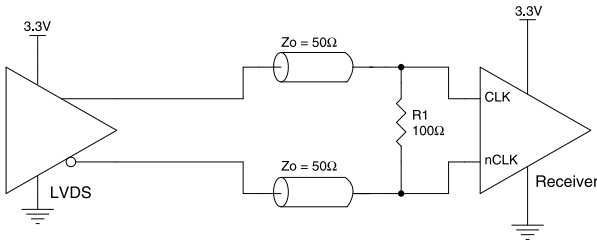
**Figure 2A. CLK/nCLK Input Driven by a 3.3V LVPECL Driver**



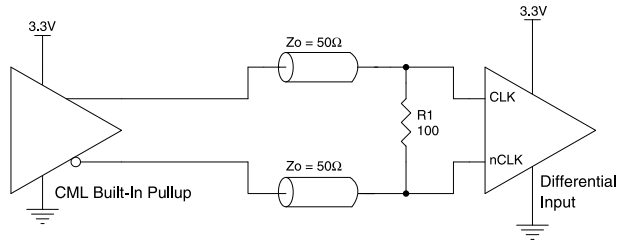
**Figure 2B. CLK/nCLK Input Driven by a 3.3V LVPECL Driver**



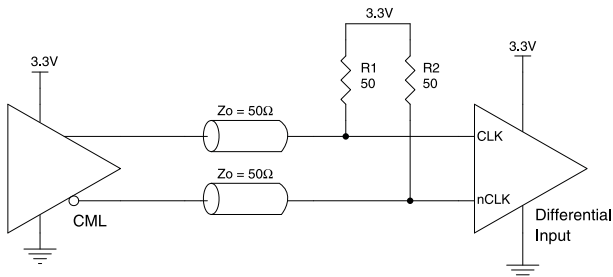
**Figure 2C. CLK/nCLK Input Driven by a 3.3V LVDS Driver**



**Figure 2D. CLK/nCLK Input Driven by a Built-In Pullup CML Driver**



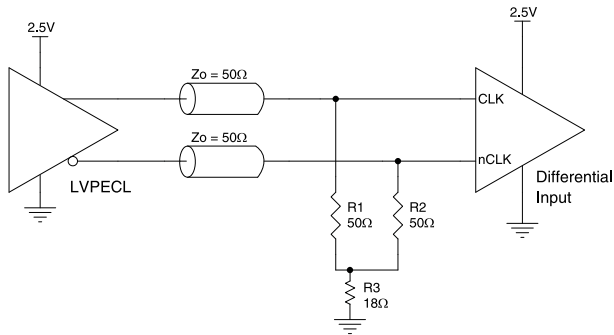
**Figure 2E. CLK/nCLK Input Driven by an IDT Open Collector CML Driver**



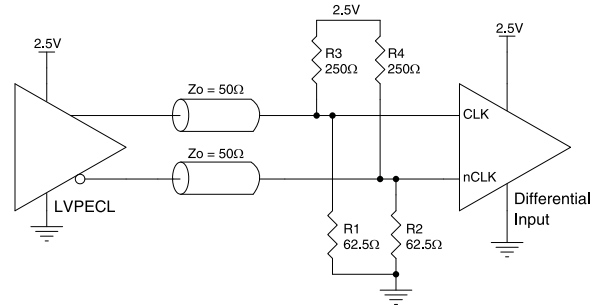
## 2.5V Differential Clock Input Interface

The CLK /nCLK accepts LVDS, LVPECL, CML and other differential signals. Both  $V_{SWING}$  and  $V_{OH}$  must meet the  $V_{PP}$  and  $V_{CMR}$  input requirements. Figures 3A to 3E show interface examples for the IN/nIN input with built-in  $50\Omega$  terminations driven by the most common driver types. The input interfaces suggested here are examples only. If the driver is from another vendor, use their termination recommendation. Please consult with the vendor of the driver component to confirm the driver termination requirements.

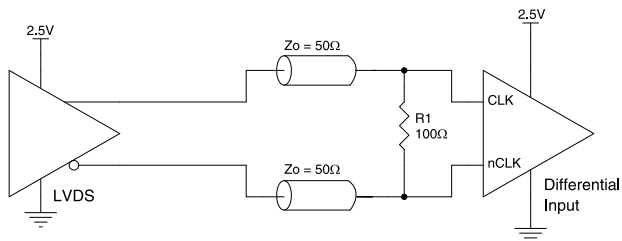
**Figure 3A. CLK/nCLK Input Driven by a 2.5V LVPECL Driver**



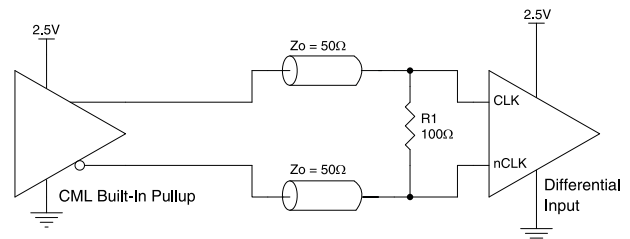
**Figure 3B. CLK/nCLK Input Driven by a 2.5V LVPECL Driver**



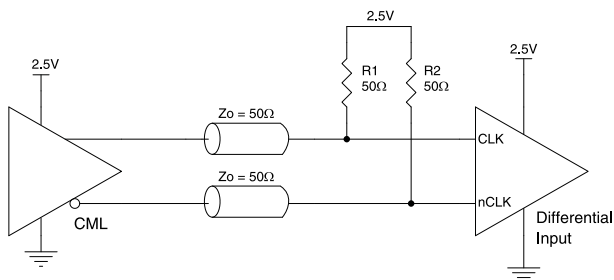
**Figure 3C. CLK/nCLK Input Driven by a 2.5V LVDS Driver**



**Figure 3D. CLK/nCLK Input Driven by a Built-In Pullup CML Driver**



**Figure 3E. CLK/nCLK Input Driven by an IDT Open Collector CML Driver**



## Recommendations for Unused Output Pins

### Inputs

#### CLK/nCLK Inputs

For applications not requiring the use of the differential input, both CLK and nCLK can be left floating. Though not required, but for additional protection, a 1kΩ resistor can be tied from CLK to ground.

#### LVC MOS Control Pins

All control pins have internal pull-ups or pull-downs; additional resistance is not required but can be added for additional protection. A 1kΩ resistor can be used.

### Outputs

#### LVPECL Outputs

All unused LVPECL outputs can be left floating. We recommend that there is no trace attached. Both sides of the differential output pair should either be left floating or terminated.

### Termination for 3.3V LVPECL Outputs

The clock layout topology shown below is a typical termination for LVPECL outputs. The two different layouts mentioned are recommended only as guidelines.

The differential outputs are low impedance follower outputs that generate ECL/LVPECL compatible outputs. Therefore, terminating resistors (DC current path to ground) or current sources must be used for functionality. These outputs are designed to drive 50Ω transmission lines. Matched impedance techniques should be used to maximize operating frequency and minimize signal distortion. *Figures 4A and 4B* show two different layouts which are recommended only as guidelines. Other suitable clock layouts may exist and it would be recommended that the board designers simulate to guarantee compatibility across all printed circuit and clock component process variations.

Figure 4A. 3.3V LVPECL Output Termination

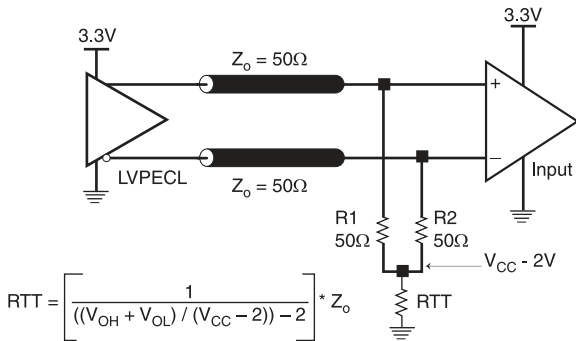
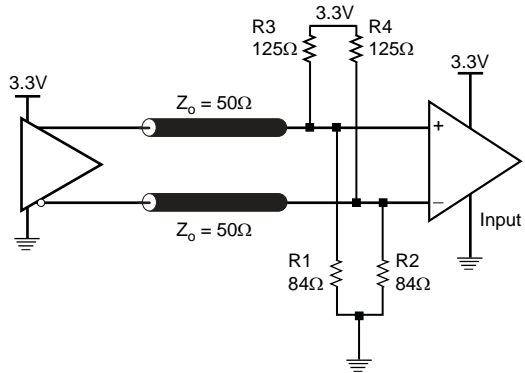


Figure 4B. 3.3V LVPECL Output Termination



## Termination for 2.5V LVPECL Outputs

Figure 5A and Figure 5B show examples of termination for 2.5V LVPECL driver. These terminations are equivalent to terminating  $50\Omega$  to  $V_{CC} - 2V$ . For  $V_{CC} = 2.5V$ , the  $V_{CC} - 2V$  is very close to ground level. The R3 in Figure 5B can be eliminated and the termination is shown in Figure 5C.

Figure 5A. 2.5V LVPECL Driver Termination Example

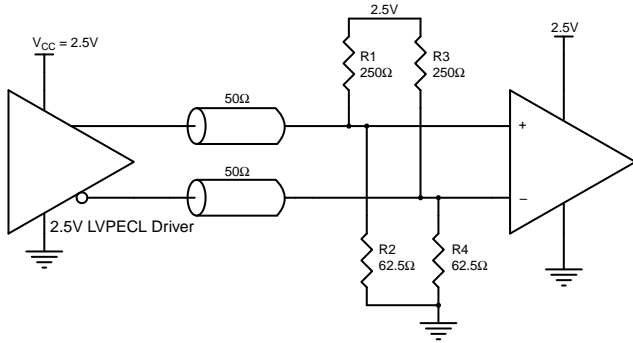


Figure 5B. 2.5V LVPECL Driver Termination Example

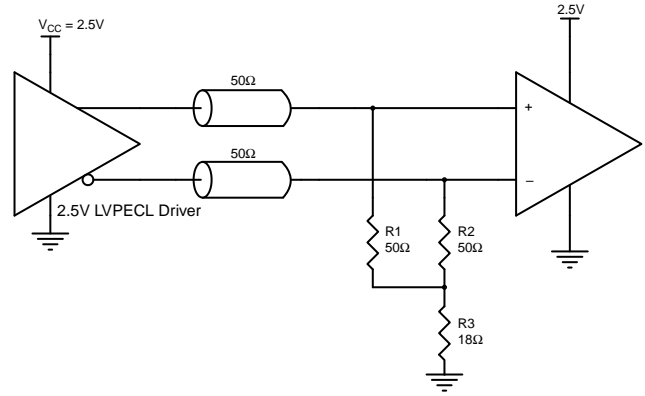
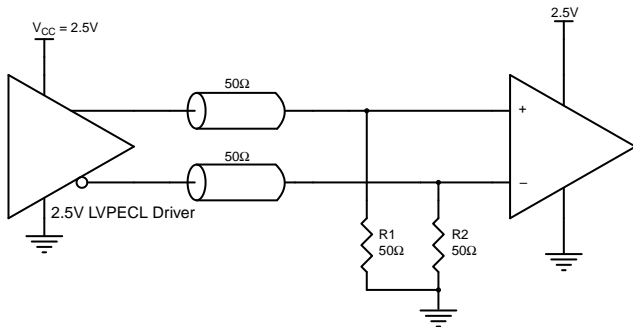


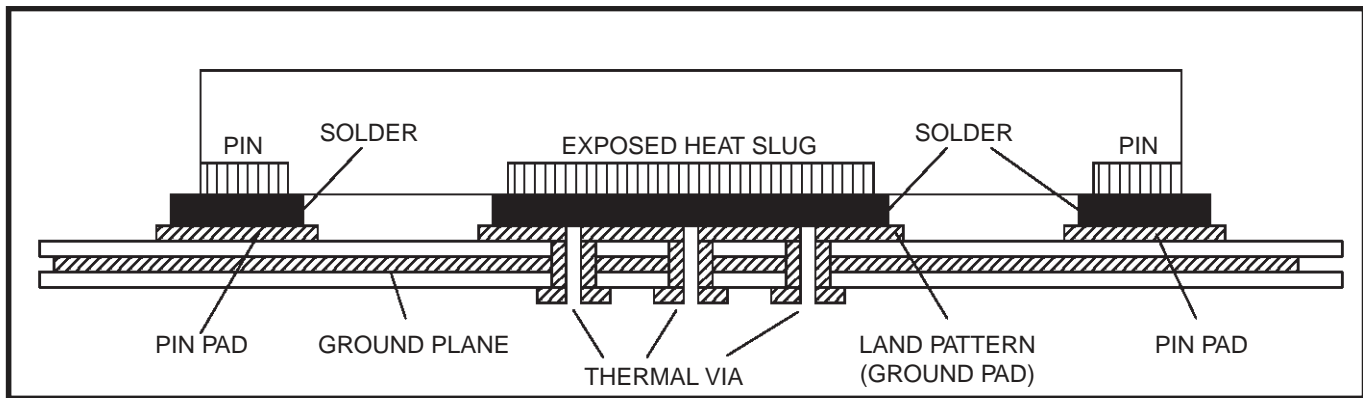
Figure 5C. 2.5V LVPECL Driver Termination Example



## VFQFN EPAD Thermal Release Path

In order to maximize both the removal of heat from the package and the electrical performance, a land pattern must be incorporated on the Printed Circuit Board (PCB) within the footprint of the package corresponding to the exposed metal pad or exposed heat slug on the package, as shown in *Figure 6*. The solderable area on the PCB, as defined by the solder mask, should be at least the same size/shape as the exposed pad/slug area on the package to maximize the thermal/electrical performance. Sufficient clearance should be designed on the PCB between the outer edges of the land pattern and the inner edges of pad pattern for the leads to avoid any shorts.

While the land pattern on the PCB provides a means of heat transfer and electrical grounding from the package to the board through a solder joint, thermal vias are necessary to effectively conduct from the surface of the PCB to the ground plane(s). The land pattern must be connected to ground through these vias. The vias act as “heat pipes”. The number of vias (i.e. “heat pipes”) are application specific and dependent upon the package power dissipation as well as electrical conductivity requirements. Thus, thermal and electrical analysis and/or testing are recommended to determine the minimum number needed. Maximum thermal and electrical performance is achieved when an array of vias is incorporated in the land pattern. It is recommended to use as many vias connected to ground as possible. It is also recommended that the via diameter should be 12 to 13mils (0.30 to 0.33mm) with 1oz copper via barrel plating. This is desirable to avoid any solder wicking inside the via during the soldering process which may result in voids in solder between the exposed pad/slug and the thermal land. Precautions should be taken to eliminate any solder voids between the exposed heat slug and the land pattern. Note: These recommendations are to be used as a guideline only. For further information, please refer to the Application Note on the Surface Mount Assembly of Amkor’s Thermally/ Electrically Enhance Leadframe Base Package, Amkor Technology.



**Figure 6. P.C. Assembly for Exposed Pad Thermal Release Path – Side View (drawing not to scale)**

## Power Considerations

This section provides information on power dissipation and junction temperature for the ICS853S0311. Equations and example calculations are also provided.

### 1. Power Dissipation.

The total power dissipation for the ICS853S0311 is the sum of the core power plus the power dissipated in the load(s). The following is the power dissipation for  $V_{CC} = 3.465V$ , which gives worst case results.

NOTE: Please refer to Section 3 for details on calculating power dissipated in the load.

- Power (core)<sub>MAX</sub> =  $V_{CC\_MAX} * I_{EE\_MAX} = 3.465V * 70mA = \mathbf{242.55mW}$
- Power (outputs)<sub>MAX</sub> = **31.12mW/Loaded Output pair**

**Total Power<sub>MAX</sub>** (3.465V, with all outputs switching) = 242.55mW + 31.12mW = **273.67mW**

### 2. Junction Temperature.

Junction temperature,  $T_j$ , is the temperature at the junction of the bond wire and bond pad directly affects the reliability of the device. The maximum recommended junction temperature is 125°C. Limiting the internal transistor junction temperature,  $T_j$ , to 125°C ensures that the bond wire and bond pad temperature remains below 125°C.

The equation for  $T_j$  is as follows:  $T_j = \theta_{JA} * Pd\_total + T_A$

$T_j$  = Junction Temperature

$\theta_{JA}$  = Junction-to-Ambient Thermal Resistance

$Pd\_total$  = Total Device Power Dissipation (example calculation is in section 1 above)

$T_A$  = Ambient Temperature

In order to calculate junction temperature, the appropriate junction-to-ambient thermal resistance  $\theta_{JA}$  must be used. Assuming a moderate air flow of 1 meter per second and a multi-layer board, the appropriate value is 39.5°C/W per Table 6 below.

Therefore,  $T_j$  for an ambient temperature of 85°C with all outputs switching is:

$$85^\circ\text{C} + 0.274\text{W} * 39.5^\circ\text{C/W} = 95.8^\circ\text{C}. \text{ This is below the limit of } 125^\circ\text{C}.$$

This calculation is only an example.  $T_j$  will obviously vary depending on the number of loaded outputs, supply voltage, air flow and the type of board (multi-layer).

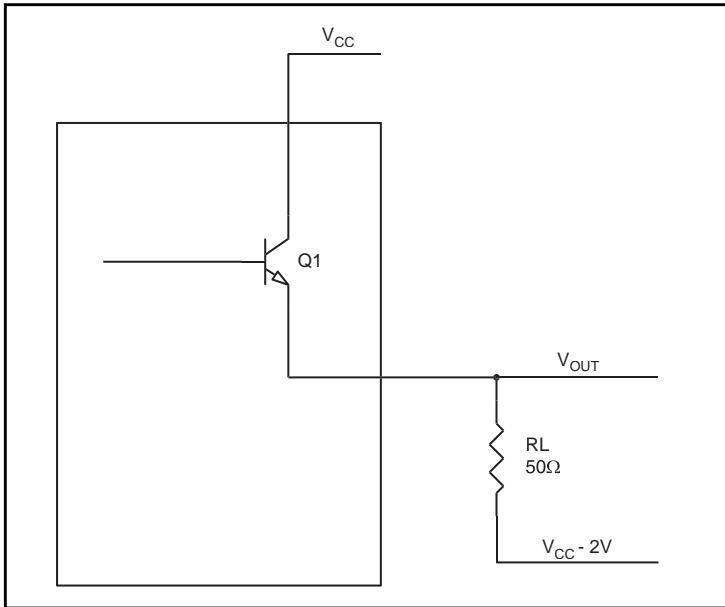
**Table 6. Thermal Resistance  $\theta_{JA}$  for 32 Lead VFQFN, Forced Convection**

| Meters per Second                           | $\theta_{JA}$ by Velocity |          |          |
|---|---------------------------|----------|----------|
|   | 0                         | 1        | 2.5      |
| Multi-Layer PCB, JEDEC Standard Test Boards | 39.5°C/W                  | 34.5°C/W | 31.0°C/W |

### 3. Calculations and Equations.

The purpose of this section is to calculate the power dissipation for the LVPECL output pairs.

LVPECL output driver circuit and termination are shown in *Figure 7*.



**Figure 7. LVPECL Driver Circuit and Termination**

To calculate worst case power dissipation into the load, use the following equations which assume a 50Ω load, and a termination voltage of  $V_{CC} - 2V$ .

- For logic high,  $V_{OUT} = V_{OH\_MAX} = V_{CC\_MAX} - 0.935V$   
 $(V_{CC\_MAX} - V_{OH\_MAX}) = 0.935V$
- For logic low,  $V_{OUT} = V_{OL\_MAX} = V_{CC\_MAX} - 1.67V$   
 $(V_{CC\_MAX} - V_{OL\_MAX}) = 1.67V$

$Pd\_H$  is power dissipation when the output drives high.

$Pd\_L$  is the power dissipation when the output drives low.

$$Pd\_H = [(V_{OH\_MAX} - (V_{CC\_MAX} - 2V))/R_L] * (V_{CC\_MAX} - V_{OH\_MAX}) = [(2V - (V_{CC\_MAX} - V_{OH\_MAX}))/R_L] * (V_{CC\_MAX} - V_{OH\_MAX}) = [(2V - 0.935V)/50\Omega] * 0.935V = \mathbf{19.92mW}$$

$$Pd\_L = [(V_{OL\_MAX} - (V_{CC\_MAX} - 2V))/R_L] * (V_{CC\_MAX} - V_{OL\_MAX}) = [(2V - (V_{CC\_MAX} - V_{OL\_MAX}))/R_L] * (V_{CC\_MAX} - V_{OL\_MAX}) = [(2V - 1.67V)/50\Omega] * 1.67V = \mathbf{11.2mW}$$

$$\text{Total Power Dissipation per output pair} = Pd\_H + Pd\_L = \mathbf{31.12mW}$$



## Reliability Information

**Table 7.  $\theta_{JA}$  vs. Air Flow Table for a 32 Lead VFQFN**

| $\theta_{JA}$ vs. Air Flow                  |          |          |          |
|---|----------|----------|----------|
| Meters per Second                           | 0        | 1        | 2.5      |
| Multi-Layer PCB, JEDEC Standard Test Boards | 39.5°C/W | 34.5°C/W | 31.0°C/W |

## Transistor Count

The transistor count for ICS853S0311 is: 8264

Package Outline Drawings – Page 1

| REVISIONS |                        |        |          |
|-----------|------------------------|--------|----------|
| REV       | DESCRIPTION            | DATE   | APPROVED |
| 00        | INITIAL RELEASE        | 2/1/16 | JH       |
| 01        | ADD "k" VALUE MIN 0.20 | 2/8/16 | JH       |

| SYMBOL | DIMENSION |          |      |
|--------|-----------|----------|------|
|        | MIN       | NOM      | MAX  |
| b      | 0.18      | 0.25     | 0.30 |
| D      | 5.00 BSC  |          |      |
| E      | 5.00 BSC  |          |      |
| D2     | 3.00      | 3.15     | 3.30 |
| E2     | 3.00      | 3.15     | 3.30 |
| L      | 0.30      | 0.40     | 0.50 |
| e      | 0.50 BSC  |          |      |
| N      | 32        |          |      |
| A      | 0.80      | 0.90     | 1.00 |
| A1     | 0.00      | 0.02     | 0.05 |
| A3     | 0.2 REF   |          |      |
| k      | 0.20      | 0.53 REF |      |

TOP VIEW

SIDE VIEW

BOTTOM VIEW

PIN #1 ID OPTION

NOTES:

1. ALL DIMENSIONS ARE IN mm. ANGLES IN DEGREES.
2. COPLANARITY APPLIES TO THE EXPOSED PAD AS WELL AS THE TERMINALS.
3. WARPAGE SHALL NOT EXCEED 0.08 mm.
4. WARPAGE SHALL NOT EXCEED 0.10 mm.

|   |   |  |
|---|---|--|
| <p>TOLERANCES UNLESS SPECIFIED</p> <p>DECIMAL X.X ±.1</p> <p>XX.X ±.05</p> <p>XXX.X ±.030</p>   | <p>APPROVALS</p> <p>DRAWN <i>[Signature]</i></p> <p>CHECKED</p> | <p>DATE 2/1/16</p> <p>TITLE NL/NLG 32 PACKAGE OUTLINE</p> <p>5.0 x 5.0 mm BODY EPAD 3.15 x 3.15</p> <p>0.50 mm PITCH QFN</p> |
| <p>6024 Silver Creek Valley Rd<br/>San Jose, CA 95138<br/>PHONE: (408) 284-8200<br/>FAX: (408) 284-3572</p> <p><b>IDT</b><br/>WWW.IDT.COM</p> |   | <p>SIZE C</p> <p>DRAWING No. PSC-4171-01</p> <p>REV 01</p>   |
| DO NOT SCALE DRAWING  |   |  |
|   |   | SHEET 1 OF 2   |

Package Outline Drawings – Page 2

| REVISIONS |                        |        |          |
|-----------|------------------------|--------|----------|
| REV       | DESCRIPTION            | DATE   | APPROVED |
| 00        | INITIAL RELEASE        | 2/1/16 | JH       |
| 01        | ADD "K" VALUE MIN 0.20 | 2/8/16 | JH       |

RECOMMENDED LAND PATTERN

NOTES:

1. ALL DIMENSIONS ARE IN mm. ANGLES IN DEGREES.
2. TOP DOWN VIEW. AS VIEWED ON PCB.
3. COMPONENT OUTLINE SHOWS FOR REFERENCE IN GREEN.
4. LAND PATTERN IN BLUE. NSMD PATTERN ASSUMED.
5. LAND PATTERN RECOMMENDATION PER IPC-7351B GENERIC REQUIREMENT FOR SURFACE MOUNT DESIGN AND LAND PATTERN.

|                             |        |   |             |
|-----------------------------|--------|---|-------------|
| TOLERANCES UNLESS SPECIFIED | IDT™   | 9024 Silver Creek Valley Rd<br>San Jose, CA 95138 | WWW.IDT.COM |
| DECIMAL ANGULAR ±1°         |        | PHONE: (408) 284-8200                             |             |
| X.X ±.1                     |        | FAX: (408) 284-3572                               |             |
| XXX ±.05                    |        | TITLE NL/NLG 32 PACKAGE OUTLINE                   |             |
| APPROVALS                   | DATE   | 5.0 x 5.0 mm BODY EPAD 3.15 x 3.15                |             |
| DRAWN @MC                   | 2/1/16 | 0.50 mm PITCH QFN                                 |             |
| CHECKED                     |        | SIZE  | DRAWING No. |
|                             |        | C   | PSC-4171-01 |
|                             |        |   | REV 01      |
|                             |        | DO NOT SCALE DRAWING SHEET 2 OF 2                 |             |

## Ordering Information

Table 9. Ordering Information

| Part/Order Number | Marking     | Package                  | Shipping Packaging | Temperature   |
|-------------------|-------------|--------------------------|--------------------|---------------|
| 853S012AKILF      | ICS3S012AIL | Lead-Free, 32 Lead VFQFN | Tray               | -40°C to 85°C |
| 853S012AKILFT     | ICS3S012AIL | Lead-Free, 32 Lead VFQFN | Tape & Reel        | -40°C to 85°C |

## Revision History

| Date               | Description of Change  |
|--------------------|--|
| August 23, 2017    | Updated the electrical characteristics for $t_{PD}$ in Table 5.<br>Updated the package outline drawings; however, no mechanical changes. |
| September 28, 2012 | Figures 2E, 3E corrected misspelling on Driver   |
|                    | Removed quantity from Tape and Reel  |

## IMPORTANT NOTICE AND DISCLAIMER

RENESAS ELECTRONICS CORPORATION AND ITS SUBSIDIARIES (“RENESAS”) PROVIDES TECHNICAL SPECIFICATIONS AND RELIABILITY DATA (INCLUDING DATASHEETS), DESIGN RESOURCES (INCLUDING REFERENCE DESIGNS), APPLICATION OR OTHER DESIGN ADVICE, WEB TOOLS, SAFETY INFORMATION, AND OTHER RESOURCES “AS IS” AND WITH ALL FAULTS, AND DISCLAIMS ALL WARRANTIES, EXPRESS OR IMPLIED, INCLUDING, WITHOUT LIMITATION, ANY IMPLIED WARRANTIES OF MERCHANTABILITY, FITNESS FOR A PARTICULAR PURPOSE, OR NON-INFRINGEMENT OF THIRD PARTY INTELLECTUAL PROPERTY RIGHTS.

These resources are intended for developers skilled in the art designing with Renesas products. You are solely responsible for (1) selecting the appropriate products for your application, (2) designing, validating, and testing your application, and (3) ensuring your application meets applicable standards, and any other safety, security, or other requirements. These resources are subject to change without notice. Renesas grants you permission to use these resources only for development of an application that uses Renesas products. Other reproduction or use of these resources is strictly prohibited. No license is granted to any other Renesas intellectual property or to any third party intellectual property. Renesas disclaims responsibility for, and you will fully indemnify Renesas and its representatives against, any claims, damages, costs, losses, or liabilities arising out of your use of these resources. Renesas' products are provided only subject to Renesas' Terms and Conditions of Sale or other applicable terms agreed to in writing. No use of any Renesas resources expands or otherwise alters any applicable warranties or warranty disclaimers for these products.

(Disclaimer Rev.1.0 Mar 2020)

### Corporate Headquarters

TOYOSU FORESIA, 3-2-24 Toyosu,  
Koto-ku, Tokyo 135-0061, Japan  
[www.renesas.com](http://www.renesas.com)

### Contact Information

For further information on a product, technology, the most up-to-date version of a document, or your nearest sales office, please visit:  
[www.renesas.com/contact/](http://www.renesas.com/contact/)

### Trademarks

Renesas and the Renesas logo are trademarks of Renesas Electronics Corporation. All trademarks and registered trademarks are the property of their respective owners.