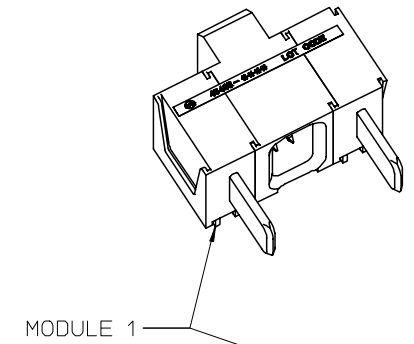
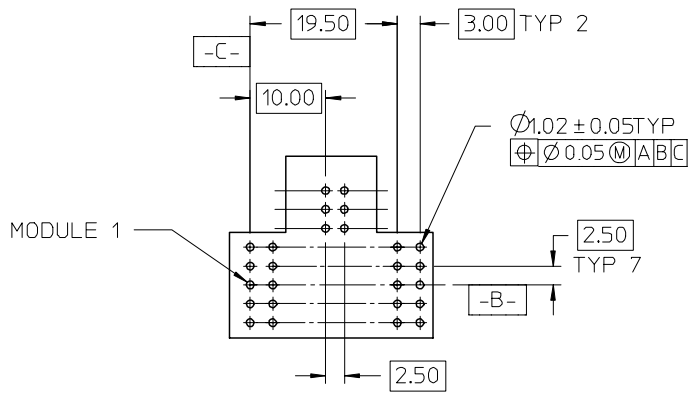
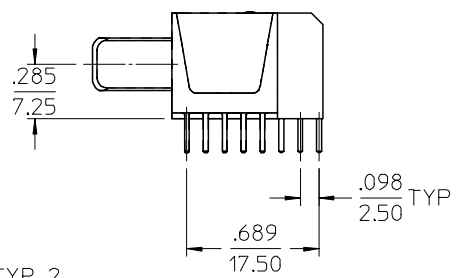
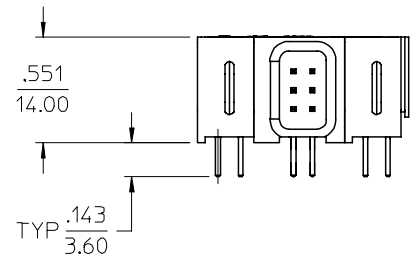
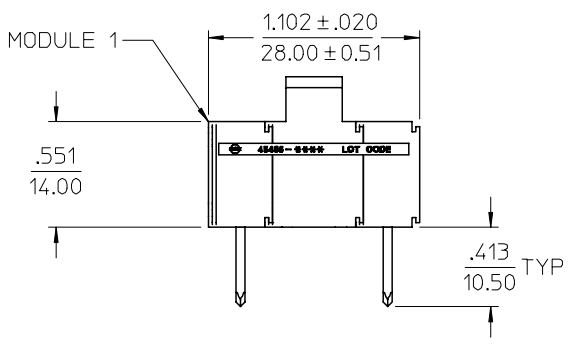


- NOTES:
1. MATERIAL: LCP, GLASS FILLED, UL94V-0, BLACK.
CONTACTS: COPPER ALLOY
 2. FINISH: SELECT GOLD: 30 MI MIN.
SELECT TIN: 100 MI MIN.
BOTH OVER NICKEL
 3. PRODUCT SPECIFICATION: PS-45424-001.
 4. PACKAGING SPECIFICATION: PK-45485-001.



PD 105	PD 314	PD 105
--------	--------	--------

PCB LAYOUT: COMPONENT SIDE
PCB THICKNESS: .093/2.36
PCB TOLERANCE: ±.002/0.05

EC NO: UCP2005-2576	DESCRIPTION
DRWN: ADRA TND 2005/07/07	
CHKD: KSAMEC 2005/07/08	
APPR: APATEL 2005/07/19	
A1	REV

GENERAL TOLERANCES (UNLESS SPECIFIED)	
mm	INCH
4 PLACES ± ---	± ---
3 PLACES ± ---	± .010
2 PLACES ± 0.25	± .015
1 PLACE ± 0.38	± ---
ANGULAR ± 1/2°	
DRAFT WHERE APPLICABLE	
MUST REMAIN WITHIN DIMENSIONS	

SCALE 1:1	DESIGN UNITS METRIC
DIMENSION STYLE IN/MM	
DRAWN BY SAMIEC	DATE 2004/03/05
CHECKED BY SAMIEC	DATE 2004/03/05
APPROVED BY MARGULIS	DATE 2004/03/05

THIRD ANGLE PROJECTION	REVISE ON CAD ONLY
TITLE POWER DOCK ASSEMBLY POWER RIGHT ANGLE SOLDER TAIL	
MOLEX INCORPORATED	
MATERIAL NO. 45485-0081	DOCUMENT NO. SD-45485-081
SHEET NO. 1 OF 1	

THIS DRAWING CONTAINS INFORMATION THAT IS PROPRIETARY TO MOLEX INCORPORATED AND SHOULD NOT BE USED WITHOUT WRITTEN PERMISSION