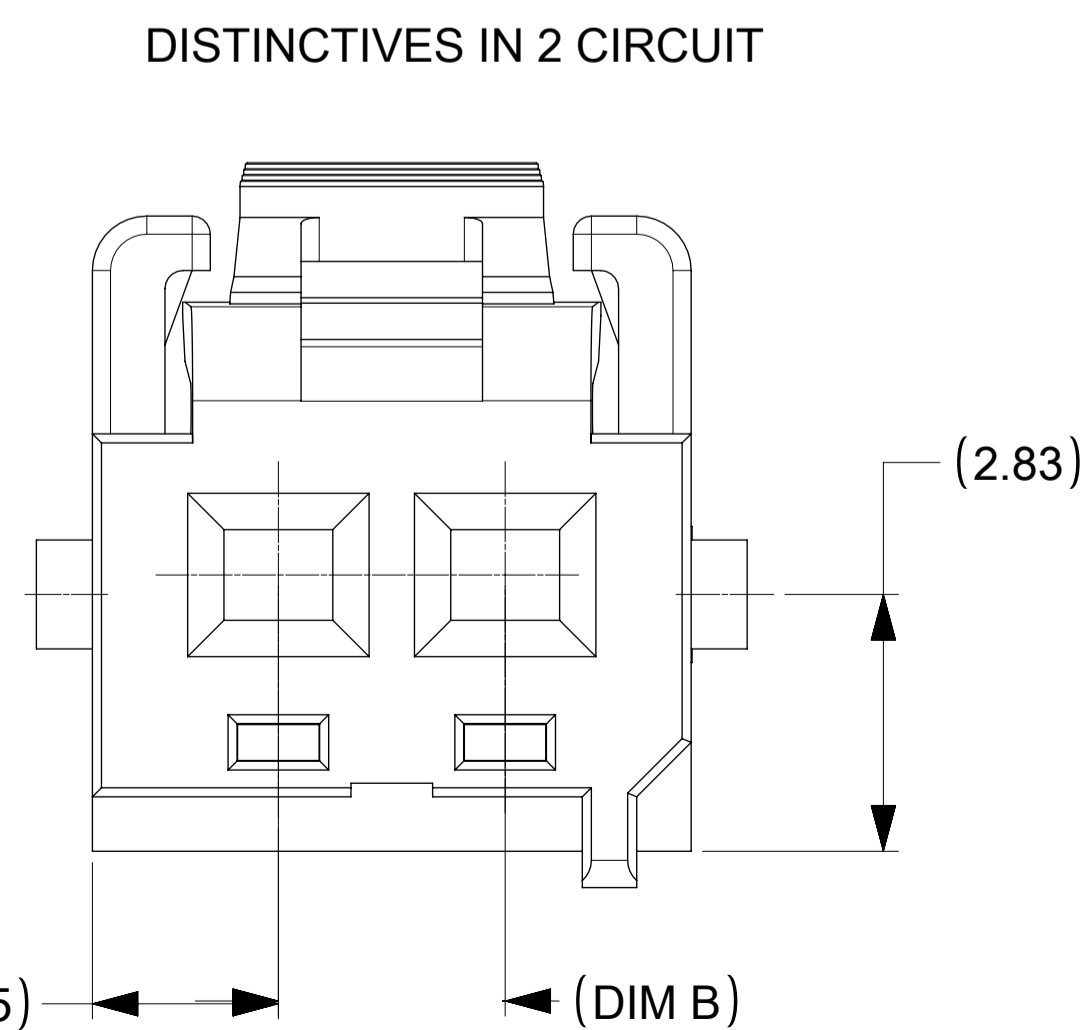
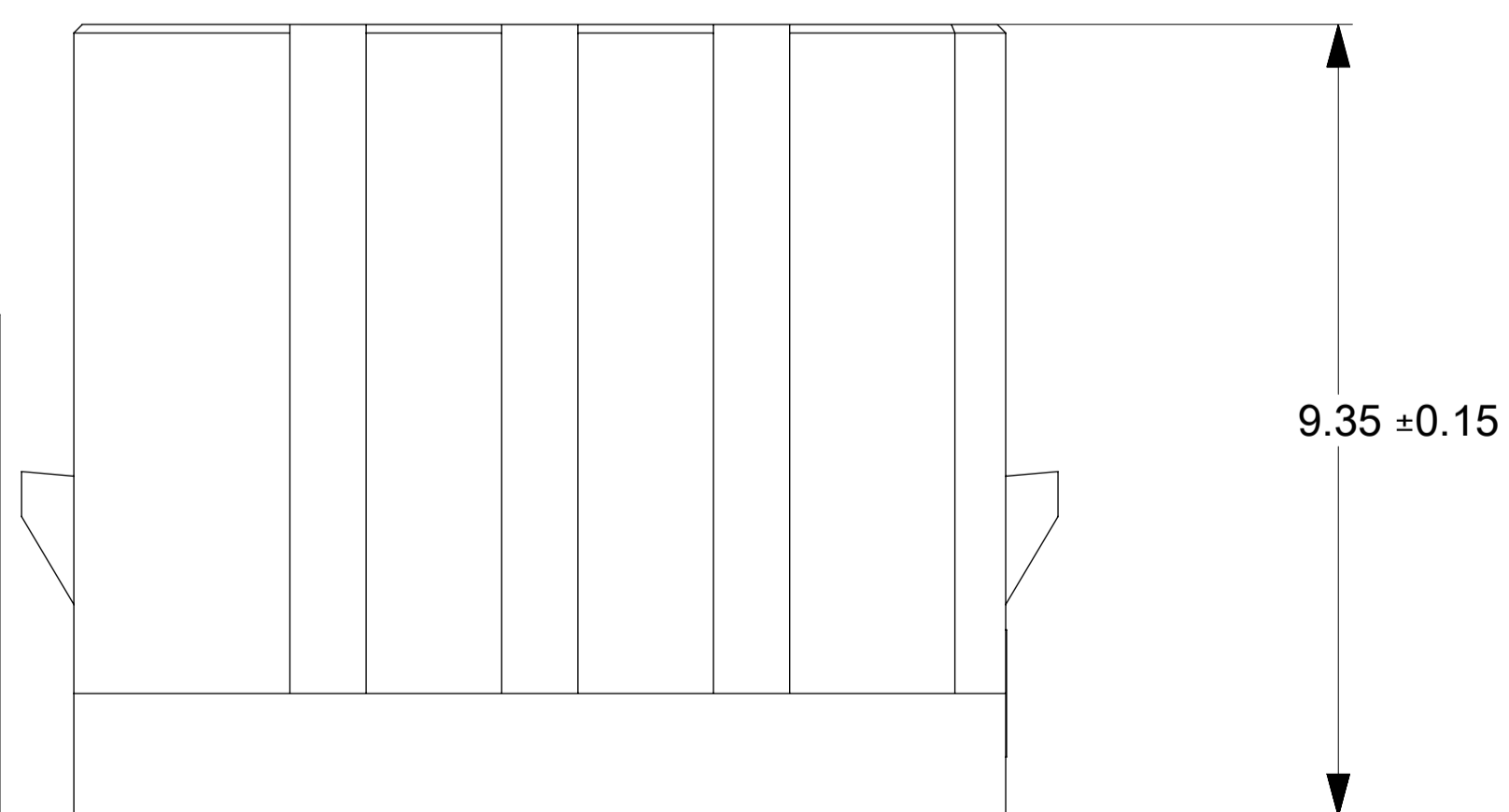
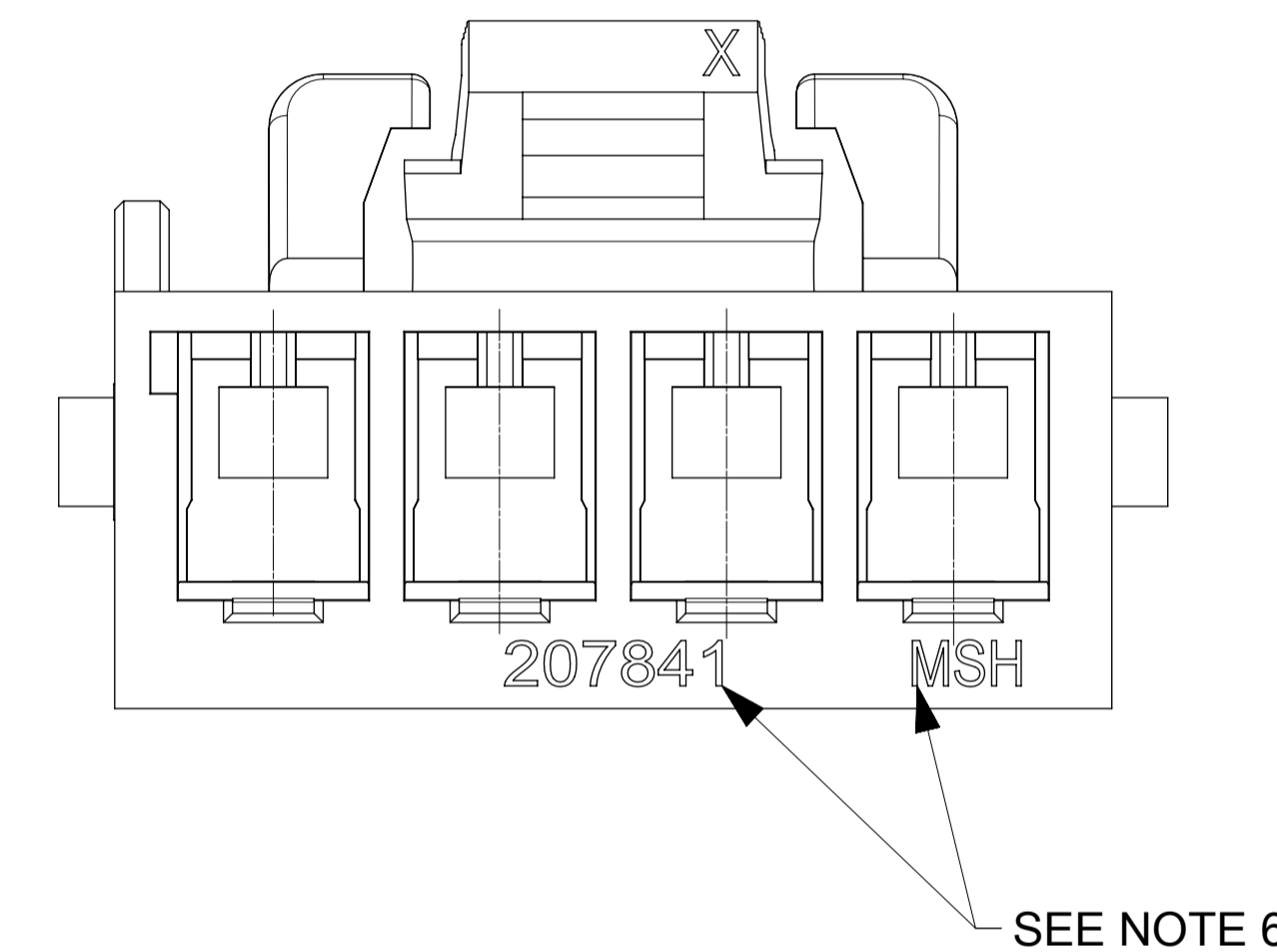
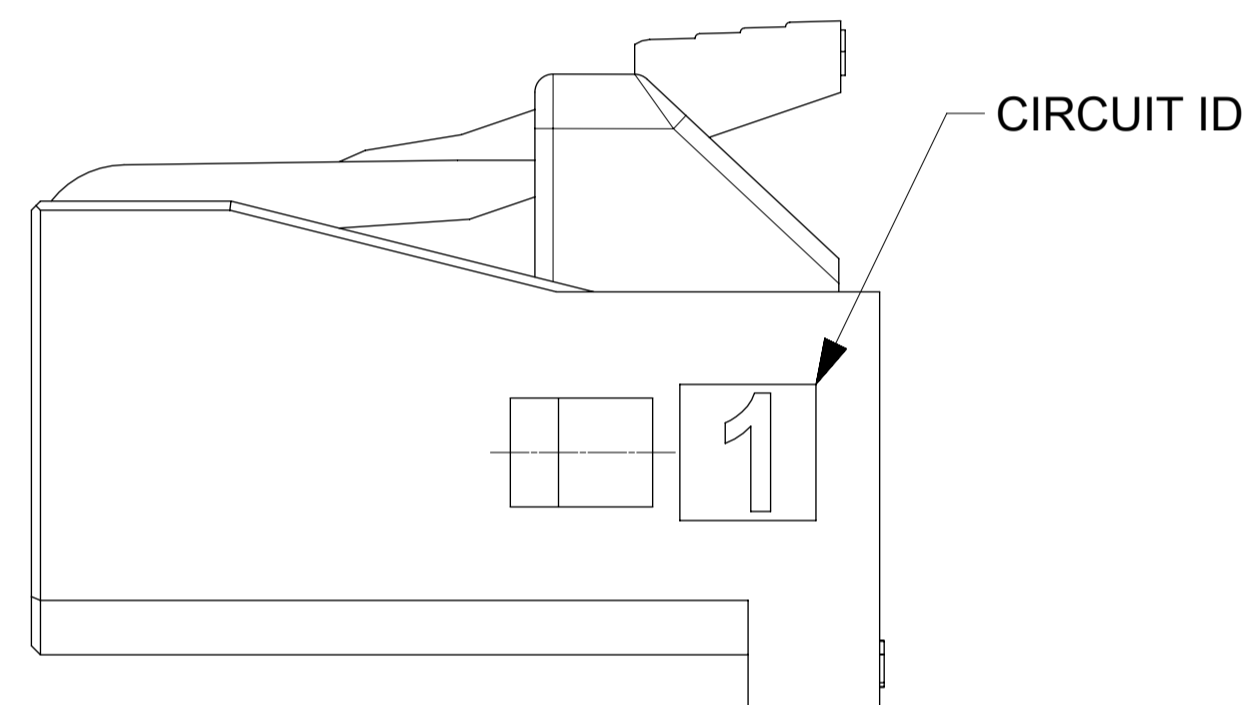
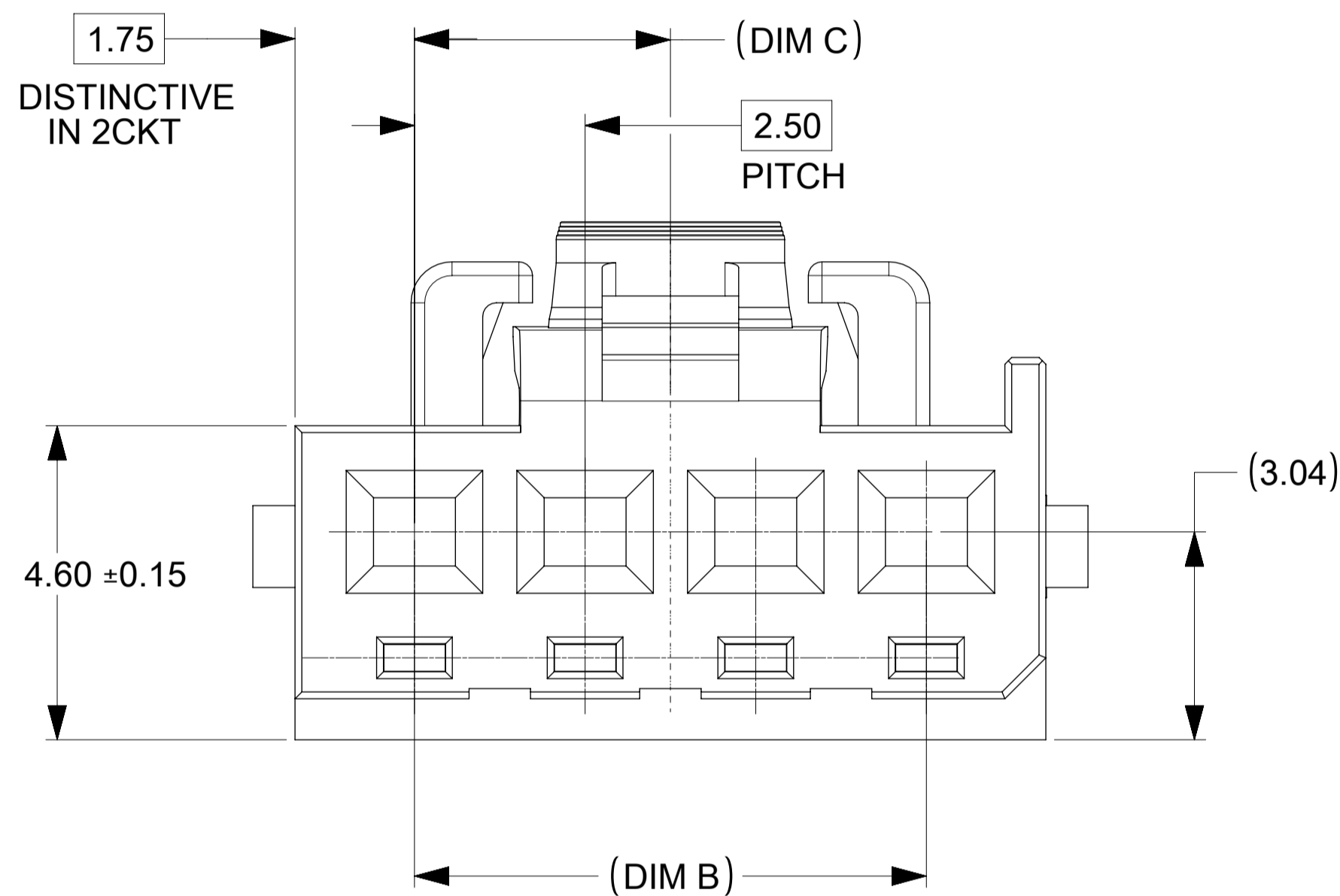


ISOMETRIC VIEW FOR 4 CIRCUIT



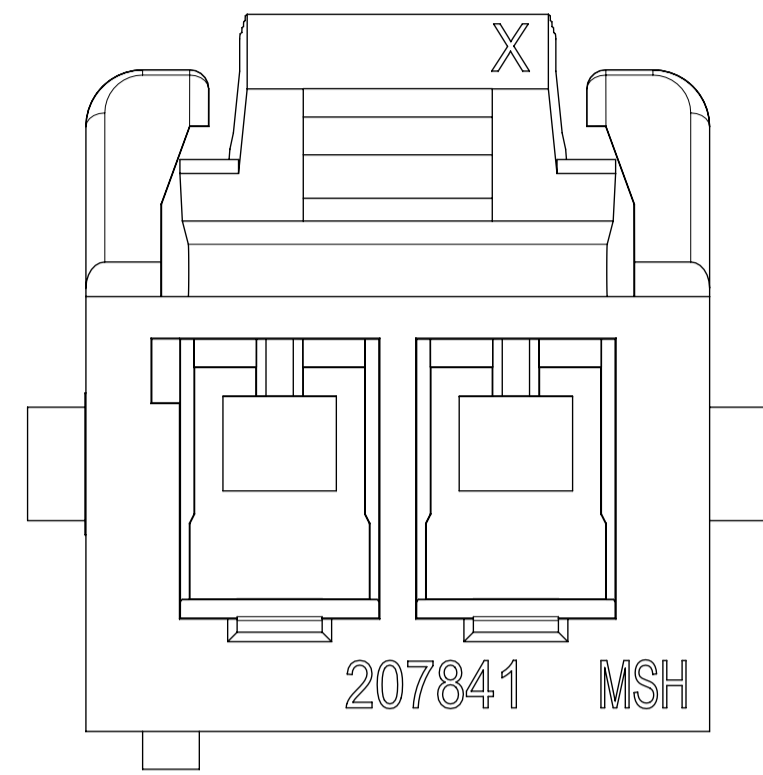
CKT	PART NUMBER	DIM.A	DIM. B	DIM. C
02	2078410002	6.61	2.50	1.25
03	2078410003	8.50	5.00	2.50
04	2078410004	11.00	7.50	3.75
05	2078410005	13.50	10.00	5.00
06	2078410006	16.00	12.50	6.25
07	2078410007	18.50	15.00	7.50
08	2078410008	21.00	17.50	8.75

- NOTES:**
1. MATERIAL: PA66, UL 94V-0, COLOR-BLACK
 2. PRODUCT SPECIFICATION: 2079020001-PS
 3. PACKAGING SPECIFICATION: 2078410000-PK
 4. COSMETIC SPECIFICATION: PS-45499-002 CLASS B
 5. HOUSING ACCEPTS TERMINALS FROM 46626 SERIES
 6. MOLEX LOGO AND SERIES ID

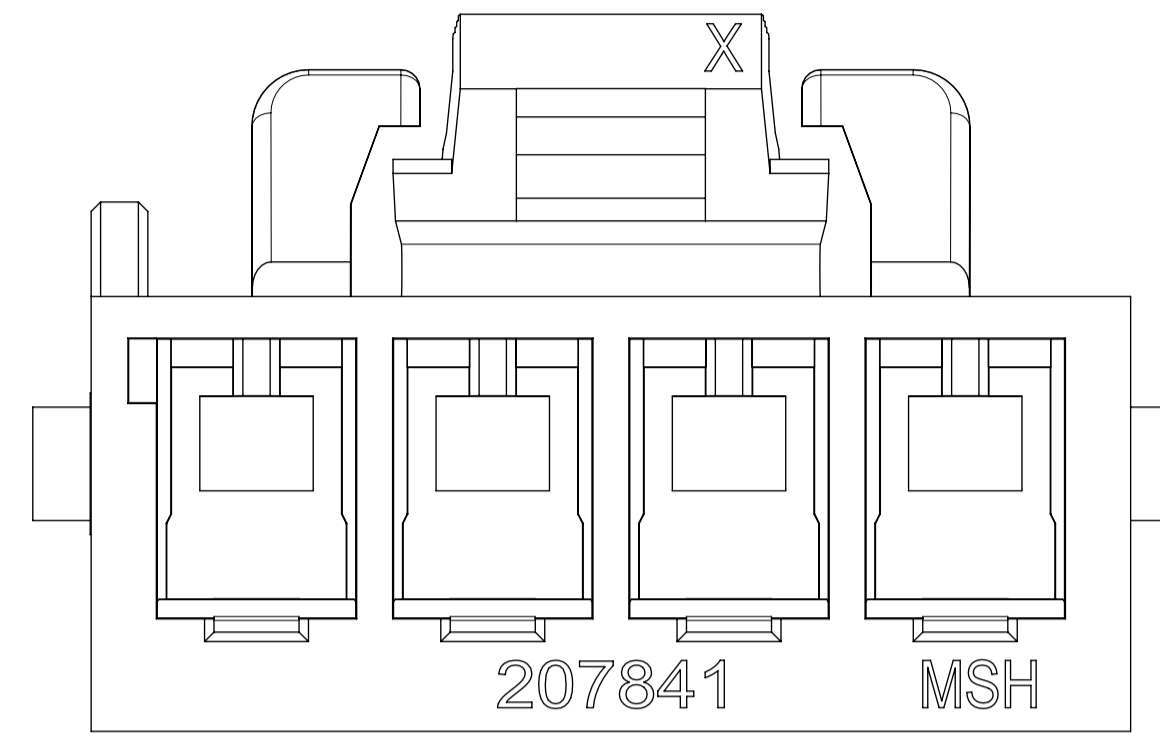
SYMBOLS	DIMENSION UNITS	SCALE	CURRENT REV DESC:	molex		
▽ = 0	mm	10:1	EC NO: 706742	RECEPTACLE HOUSING FOR KK PLUS 250		
▽ = 0	GENERAL TOLERANCES (UNLESS SPECIFIED)		DRWN: SHRUTJ 2022/04/20			
▽ = 0	ANGULAR TOL ± 0.5°		CHK'D: SHRUTJ 2022/05/13	PRODUCT CUSTOMER DRAWING		
▽ = 0	4 PLACES	±	APPR: ISHWARG 2022/05/13	DOCUMENT NUMBER		
▽ = 0	3 PLACES	±	INITIAL REVISION:	DOC TYPE DOC PART REVISION		
▽ = 0	2 PLACES	± 0.25	DRWN: SUDAYGUNAGI 2018/06/18	2078410004-SD		
▽ = 0	1 PLACE	± 0.3	APPR: ISHWARG 2019/02/20	PSD	000	A2
⊠ = 0	0 PLACES	±	DRAFT WHERE APPLICABLE MUST REMAIN WITHIN DIMENSIONS	MATERIAL NUMBER		SHEET NUMBER
⊠ = 0	THIRD ANGLE PROJECTION		DRAWING	CUSTOMER		1 OF 2
			A1-SIZE	207841		

POLARIZATION

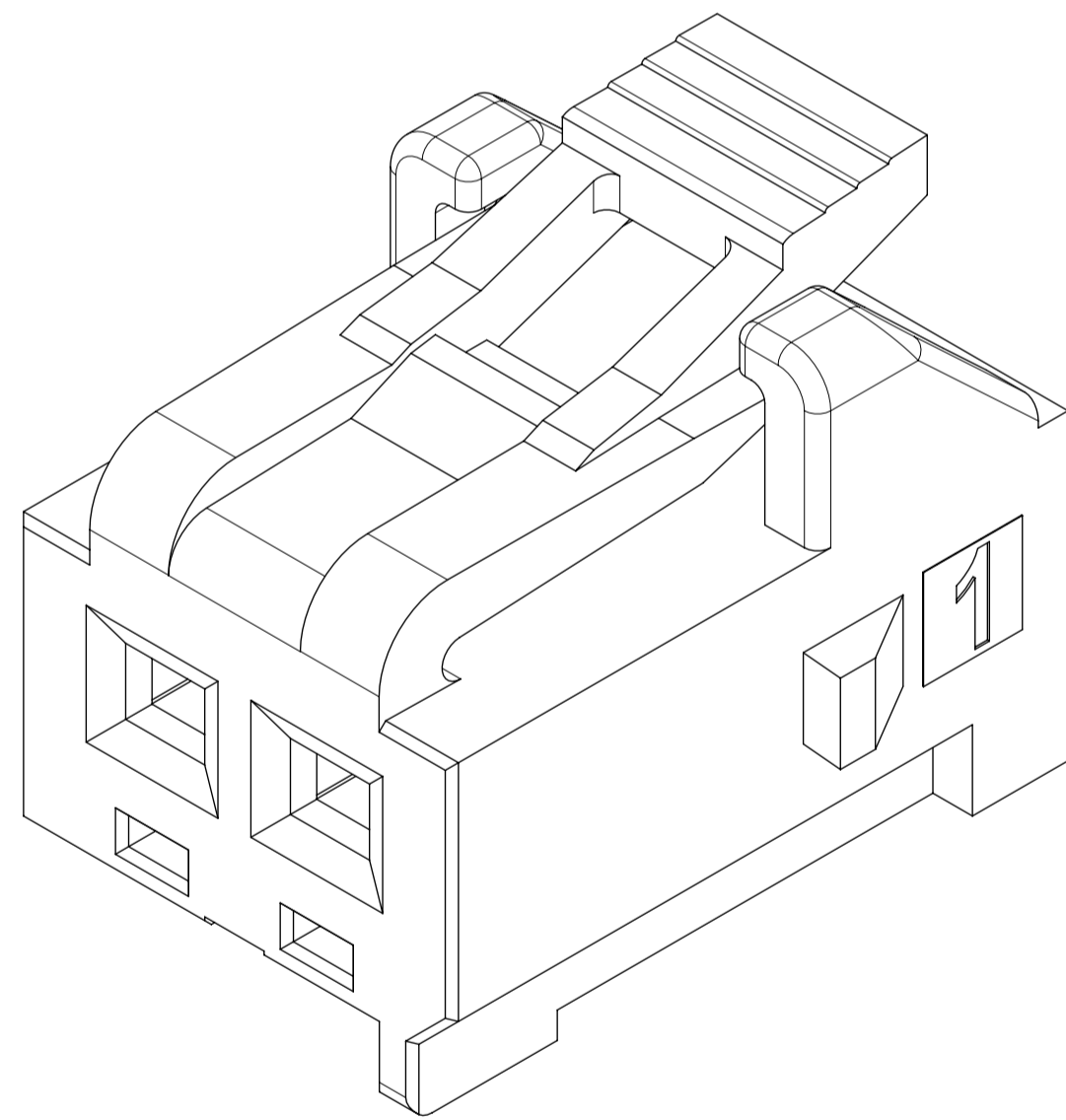
2 & 3 CKT



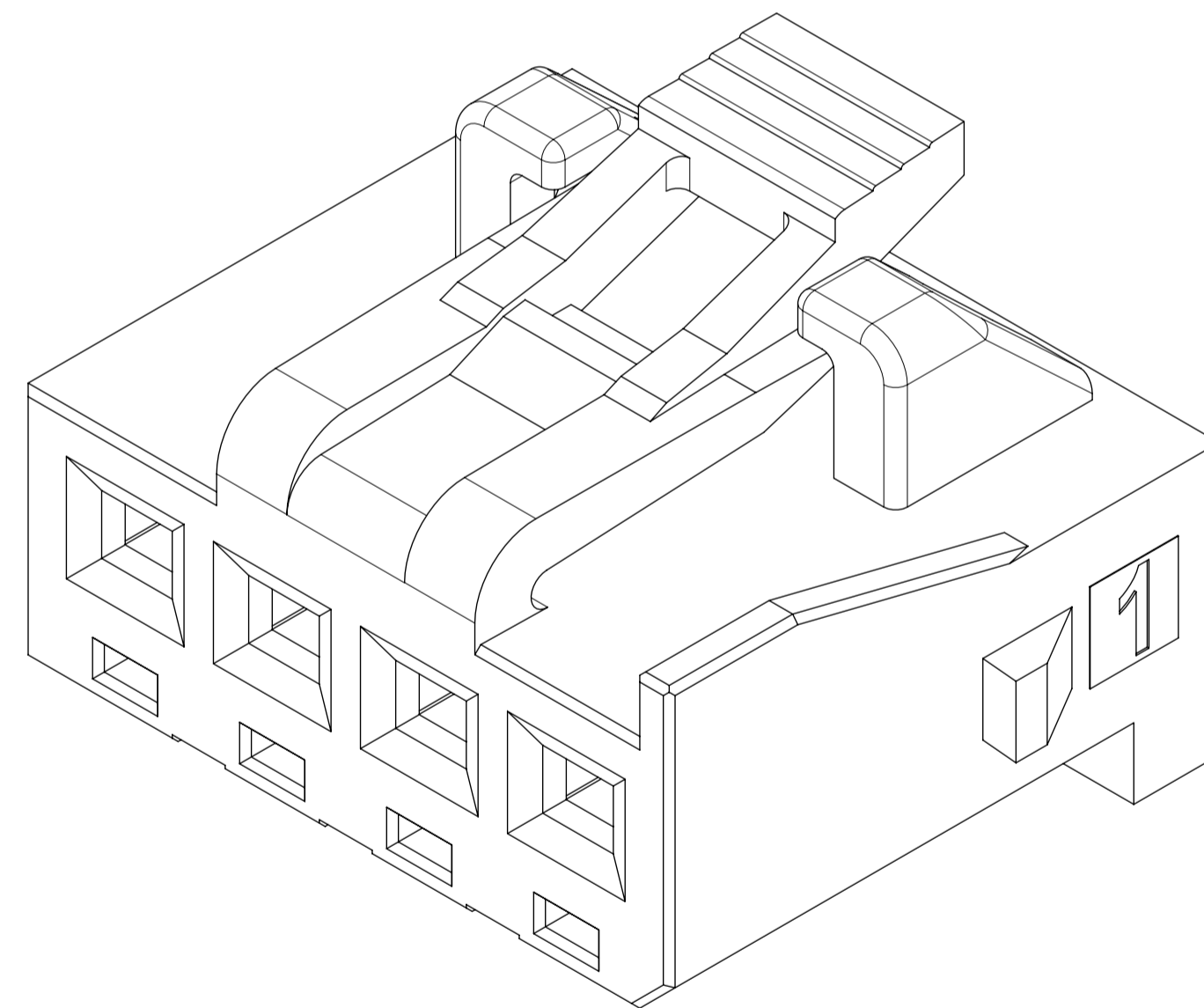
4 TO 10 CKT


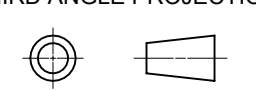


ISOMETRIC OF 2 & 3 CKT



ISOMETRIC OF 4 TO 10 CKT



SYMBOLS ▽ = 0 ▽ = 0 ▽ = 0 ▽ = 0 ▽ = 0 ▽ = 0 ▽ = 0 ▽ = 0 ▽ = 0 ▽ = 0 ▽ = 0	THIS DRAWING CONTAINS INFORMATION THAT IS PROPRIETARY TO MOLEX ELECTRONIC TECHNOLOGIES, LLC AND SHOULD NOT BE USED WITHOUT WRITTEN PERMISSION	CURRENT REV DESC:		 RECEPTACLE HOUSING FOR KK PLUS 250				
	DIMENSION UNITS	SCALE	EC NO: 706742				DOCUMENT NUMBER	DOC TYPE
	mm	10:1	DRWN: SHRUTJ 2022/04/20		2078410004-SD	PSD	000	A2
	GENERAL TOLERANCES (UNLESS SPECIFIED)		CHK'D: SHRUTJ 2022/05/13		PRODUCT CUSTOMER DRAWING			
	ANGULAR TOL ± 0.5°		APPR: ISHWARG 2022/05/13		MATERIAL NUMBER			
	4 PLACES ±		INITIAL REVISION:		CUSTOMER			
	3 PLACES ±		DRWN: SUDAYGUNAGI 2018/06/18		SHEET NUMBER			
	2 PLACES ± 0.25		APPR: ISHWARG 2019/02/20		2 OF 2			
	1 PLACE ± 0.3		THIRD ANGLE PROJECTION	DRAWING	SERIES			
	0 PLACES ±			A1-SIZE	207841			
DRAFT WHERE APPLICABLE MUST REMAIN WITHIN DIMENSIONS								