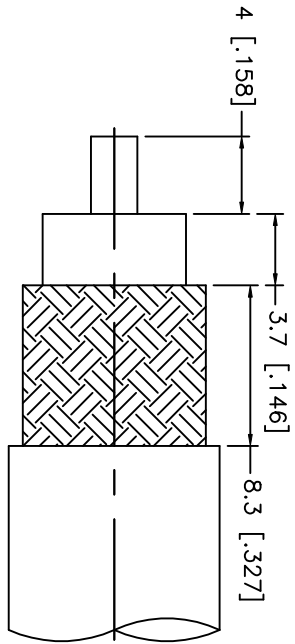
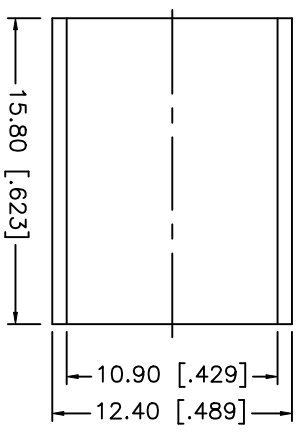
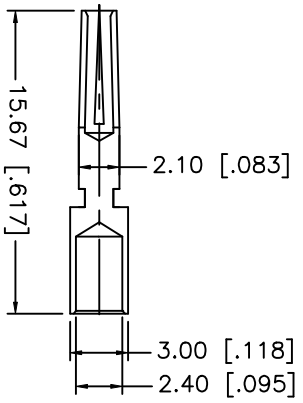
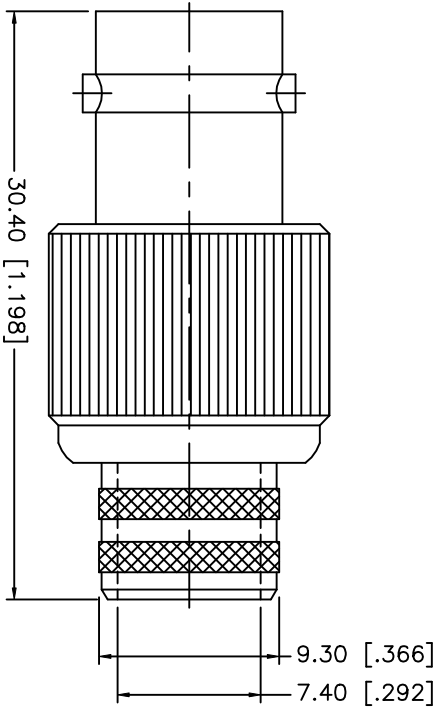


REV.	DATE	DESCRIPTION
NC	07/22/02	INITIAL RELEASE



RECOMMENDED
CABLE STRIPPING DIM'S



CRIMP NOTES:

1. CRIMPED FERRULE
HEX CRIMP SIZE .429"
2. CRIMPED CONTACT PIN
HEX CRIMP SIZE .100"

8																					
7																					
6																					
5																					
4	FERRULE	COPPER	NICKEL																		
3	CONTACT PIN	PHOS. BRONZE	GOLD																		
2	INSULATOR	TEFLON	NATURAL																		
1	BODY	BRASS	NICKEL																		
	DESCRIPTION	MATERIAL	FINISH																		
				UNLESS OTHERWISE SPECIFIED DIMENSIONS ARE IN MILLIMETERS DIMENSIONS IN [] ARE IN INCHES FOR CUSTOMER REFERENCE ONLY				APPROVALS		DATE		TITLE									
								DRAWN		07/22/02		Amphenol - Connex CONNECTOR CORPORATION BNC CRIMP JACK (FOR RG-8, 213/U CABLE)									
								CHECKED													
								ISSUED													
				UNLESS OTHERWISE SPECIFIED TOLERANCES FOR INCHES ARE: .XXX = ± 0.005" .XX = ± 0.010" .X = ± 0.020"				SCALE		A		FSCM NO.		99001		DWG. NO.		112708.DWG		REV.	
				DO NOT SCALE DRAWING				NA		PART NO.		112708		SHEET		1		OF		1	