



2 dBi Rubber Duck Antenna 2,400-2,500 MHz RP-SMA Connector

Antennas Technical Data Sheet

PE51RD1020

Features

- Tilt and Swivel Design
- Compact Size
- Flexible “Rubber Duck” Antenna
- Optional Magnetic Mount Available
- RP-SMA Connector

Applications

- Multipoint and Mobile Applications & Bluetooth®
- 2.4 GHz ISM Band
- IEEE 802.11b, 802.11g, 802.11x (WiFi 6) Wireless LAN
- IEEE 802.11n (Pre-N, Draft-N)
- Public Wireless Video Systems
- IoT Systems

Description

The Pasternack PE51RD1020 is an economical yet high performance omnidirectional “rubber-duck” antenna designed for the 2.4 GHz ISM band. It features a tilt-and-swivel Reverse Polarity SMA-Plug (RP-SMA) connector, allowing them to be used vertically, at a right angle, or any angle in-between. It is a coaxial sleeve design with an omni-directional pattern. It is ideally suited for IEEE 802.11b, 802.11g, 802.11n and 802.11ax (WiFi 6) Wireless LANs, Bluetooth, IoT and other applications.

The high performance rubber-duck PE51RD1020 from Pasternack is a flexible antenna providing broad coverage and 2 dBi gain. It is suitable as a replacement RF antenna for 2.4 GHz radios that are equipped with RP-SMA connectors.

In addition to shipping the same day, our rubber duck antennas are high-quality components backed by expert technical support and sales personnel. Contact our knowledgeable and friendly technical support and sales staff for your answers on antennas or other Pasternack products.

Configuration

Design	Rubber Duck
Band Type	Single
Polarization	Linear
Connector Type	SMA Male Reverse Polarity
Number of Ports	1
Housing Material and Plating	TPEE, Black

Electrical Specifications

Description	Minimum	Typical	Maximum	Units
Frequency Range	2.4		2.5	GHz
Input VSWR			2:1	
Impedance		50		Ohms
Gain		2		dBi

Click the following link (or enter part number in “SEARCH” on website) to obtain additional part information including price, inventory and certifications: [2 dBi Rubber Duck Antenna 2,400-2,500 MHz RP-SMA Connector PE51RD1020](#)



2 dBi Rubber Duck Antenna 2,400-2,500 MHz RP-SMA Connector

Antennas Technical Data Sheet

PE51RD1020

Mechanical Specifications

Housing Material	TPEE
Housing Plating/Color	Black
Radiator Material	Copper

Size

Overall Length	4.33 in [109.98 mm]
Width	0.39 in [9.91 mm]
Height	0.39 in [9.91 mm]

Environmental Specifications

Temperature

Operating Range	-40 to +75 deg C
Storage Range	-40 to +80 deg C

Compliance Certifications (see [product page](#) for current document)

Plotted and Other Data

Notes:

2 dBi Rubber Duck Antenna 2,400-2,500 MHz RP-SMA Connector from Pasternack Enterprises has same day shipment for domestic and International orders. Our RF, microwave and millimeter wave products maintain a 99.4% availability and are part of the broadest selection in the industry.

Click the following link (or enter part number in "SEARCH" on website) to obtain additional part information including price, inventory and certifications: [2 dBi Rubber Duck Antenna 2,400-2,500 MHz RP-SMA Connector PE51RD1020](#)

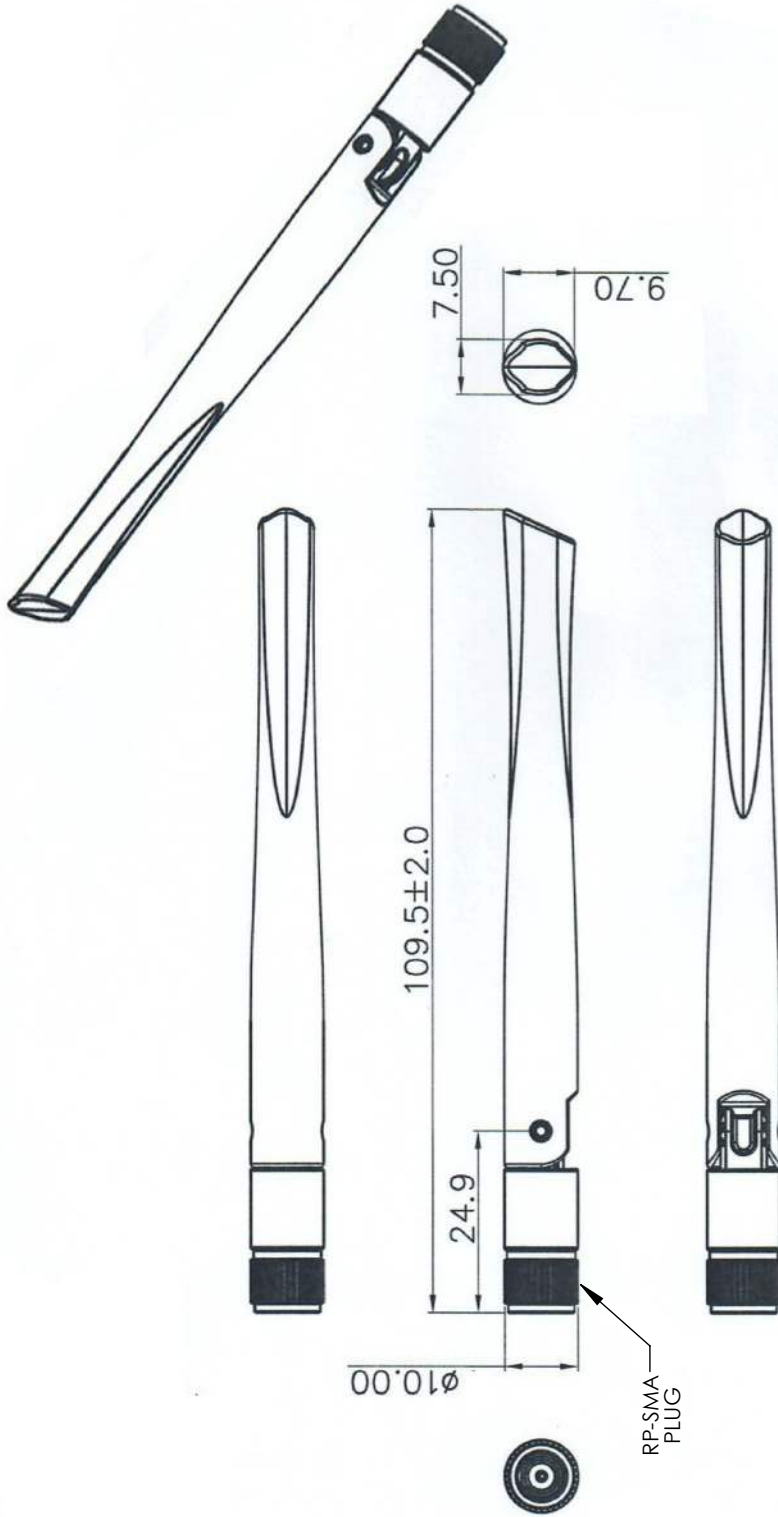
URL: <https://www.pasternack.com/single-antenna-2.4-2.5-ghz-2-dbi-gain-sma-pe51rd1020-p.aspx>

The information contained in this document is accurate to the best of our knowledge and representative of the part described herein. It may be necessary to make modifications to the part and/or the documentation of the part, in order to implement improvements. Pasternack reserves the right to make such changes as required. Unless otherwise stated, all specifications are nominal. Pasternack does not make any representation or warranty regarding the suitability of the part described herein for any particular purpose, and Pasternack does not assume any liability arising out of the use of any part or documentation.

PE51RD1020 CAD Drawing

2 dBi Rubber Duck Antenna 2,400-2,500 MHz RP-SMA Connector

REVISIONS		
REV.	DESCRIPTION	DATE
A	INITIAL RELEASE	09/14/2020
		APPROVED
		KHIETPAS



UNLESS OTHERWISE SPECIFIED
LEADING DIMENSIONS ARE INCHES
DIMENSIONS IN [] ARE MILLIMETERS

TOLERANCES:
 .X = ±.2 [.008] FRACTIONS ± 1/32
 .XX = ±.02 [.51] ANGLES ± 1°
 .XXX = ±.005 [.13]

CABLE LENGTH (L), TOLERANCES:
 L ≤ 12 [305] = +1 [25] / -0
 12 [305] < L ≤ 60 [1524] = +2 [51] / -0
 60 [1524] < L ≤ 120 [3048] = +4 [102] / -0
 120 [3048] < L ≤ 300 [7620] = +6 [152] / -0
 300 [7620] < L = +5%L / -0

ALL DIMENSIONS SHOWN
ARE FOR REFERENCE ONLY.

PE PASTERNAK
an INFINITI® brand

Pasternack Enterprises, Inc.
P. O. Box 16759, Irvine, CA 92623.
Phone: 1.949.261.1920 | 1.866.727.8376
Fax: 1.949.261.7451
Website: www.pasternack.com
E-mail: sales@pasternack.com

THIRD-ANGLE PROJECTION

THE INFORMATION AND DESIGN IN THIS DOCUMENT IS THE PROPERTY OF PASTERNAK CORPORATION ALL RIGHTS RESERVED.

SHEET 1 OF 1

SCALE N/A

SIZE	CAGE CODE	DRAWN BY	ITEM NO.
A	53919	DZINN	PE51RD1020
			REV
			A

THESE COMMODITIES, TECHNOLOGY OR SOFTWARE WERE EXPORTED FROM THE UNITED STATES IN ACCORDANCE WITH THE EXPORT ADMINISTRATION REGULATIONS. DIVERSION CONTRARY TO U.S. LAW PROHIBITED.