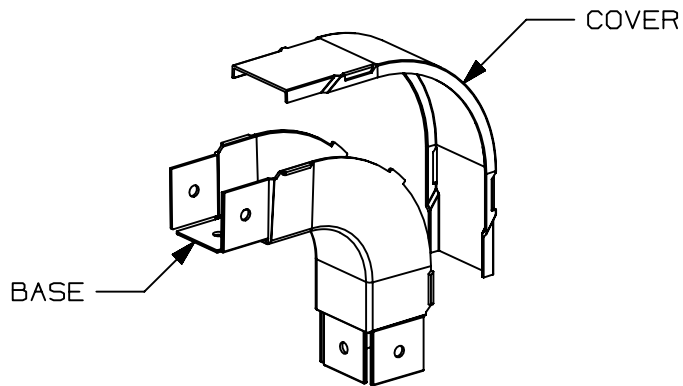


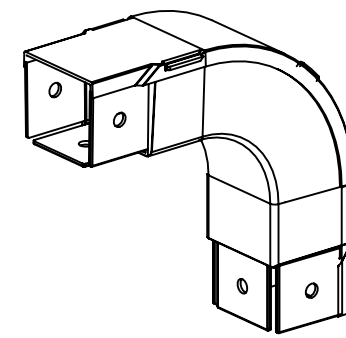
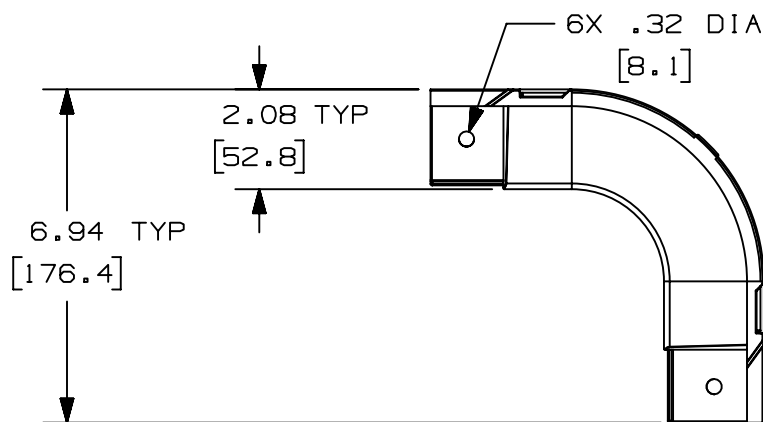
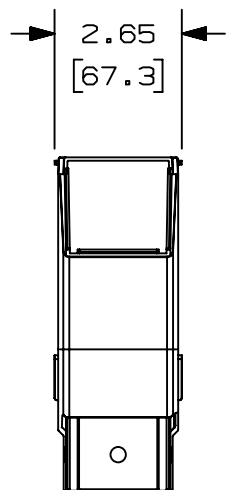
THIS COPY IS PROVIDED ON A RESTRICTED BASIS AND IS NOT TO BE USED IN ANY WAY DETRIMENTAL TO THE INTERESTS OF PANDUIT CORP.



PANDUIT PART NUMBER	WEIGHT	MATERIAL
FOVRA2X2	0.31 LB/EACH (140g/EACH)	ABS
FOVRA2X2L	0.31 LB/EACH (140g/EACH)	PC/ABS

NOTES:

1. SEE CURRENT CATALOG FOR ADDITIONAL PART SUFFIXES TO INDICATE COLOR AND/OR PACKAGE QUANTITY.
2. THE FIBER-DUCT 2x2 AND FIBERRUNNER 2x2 OUTSIDE VERTICAL RIGHT ANGLE FITTING IS DESIGNED WITH A MINIMUM 2" (50.8) BEND RADIUS TO PROTECT FIBER OPTIC CABLES.
3. DIMENSIONS IN PARENTHESES ARE IN METRIC.



REV	DATE	BY	CHK	APR	DESCRIPTION	ECN
05B	8/31/2020	MES	DWR	DWR	ADDED PART NUMBER	V09002DZ/11
5	05-06-13	JBN	RTFI	RN	J. UPDATED DRAWING BORDER & TITLE BLOCK	35245-25

TITLE		FIBER-DUCT 2X2 AND FIBERRUNNER 2X2 OUTSIDE VERTICAL RIGHT ANGLE FITTING - FOVRA2X2, FOVRA2X2L	
CUSTOMER DRAWING			
ITEM REVISION NAME		D35245BY/04	
DATASET FILE NAME		D35245BY_DC_FOVRA2X2/04C	
UNLESS OTHERWISE SPECIFIED, DIMENSIONAL TOLERANCES ARE: IN [mm]		MATERIAL:	
.X ± .XX ± .03 [.8]		SEE PART NUMBER TABLE ABOVE	
.XXX ± ANGLES ±		DRAWING NUMBER:	
THIRD ANGLE PROJECTION		35245-25	
DRAWN BY	DATE	CHK	SCALE
RCA	02-05-97	CEF	NONE
SHT 1 OF 1		SIZE	
		A	

D101000DA/15