

# CUC-IND-C1ZNI-T/R4IP8 - RJ45 connector



1421128

<https://www.phoenixcontact.com/us/products/1421128>

Please be informed that the data shown in this PDF document is generated from our online catalog. Please find the complete data in the user documentation. Our general terms of use for downloads are valid.



RJ45 connector, design: RJ45, degree of protection: IP20, number of positions: 8, 1 Gbps, CAT5, material: Metal, connection method: Insulation displacement connection, connection cross section: AWG 23- 22, cable outlet: angled, Ethernet/PROFINET

## Your advantages

- Easy and time-saving assembly with IDC fast connection technology
- Can be used internationally due to EAC, UL 1863, and CAN/CSA C22.2
- Ideal companion for servicing or repairs in the field: no special tools required for mounting

## Commercial data

Item number	1421128
Packing unit	1 pc
Minimum order quantity	1 pc
Sales key	AB10
Product key	ABNAAA
Catalog page	Page 373 (C-2-2019)
GTIN	4055626254678
Weight per piece (including packing)	31.6 g
Weight per piece (excluding packing)	31 g
Customs tariff number	85366990
Country of origin	PL

# CUC-IND-C1ZNI-T/R4IP8 - RJ45 connector



1421128

<https://www.phoenixcontact.com/us/products/1421128>

## Technical data

### Product properties

Type	RJ45
Product type	Data connector (cable side)
Sensor type	Ethernet/PROFINET
Number of positions	8
Connection profile	RJ45
No. of cable outlets	1
Type	RJ45
Shielded	yes
Cable outlet	angled
Positions/contacts	8P8C

### Insulation characteristics

Overvoltage category	I
Degree of pollution	2

### Electrical properties

Rated voltage (III/3)	72 V (DC)
Rated current	1.75 A
Contact resistance	< 20 mΩ (Contact) < 100 mΩ (shield)
Frequency range	to 100 MHz
Insulation resistance	> 500 MΩ
Nominal voltage $U_N$	48 V
Nominal current $I_N$	1.75 A
Contact resistance per contact pair	< 20 Ω
Contact resistance	> 10 mΩ (Wire – IDC) 0.005 Ω (Litz wires – IDC)
Transmission medium	Copper
Transmission characteristics (category)	CAT5
Transmission speed	1 Gbps
Power transmission	PoE++

### Connection data

#### Connection technology

Connection method	Insulation displacement connection
Connection cross section AWG	23 ... 22 (solid) 23 ... 22 (flexible)
Conductor cross section	0.25 mm <sup>2</sup> ... 0.34 mm <sup>2</sup> (solid) 0.25 mm <sup>2</sup> ... 0.34 mm <sup>2</sup> (flexible)
Connection in acc. with standard	In accordance with IEC 60603-7-1

# CUC-IND-C1ZNI-T/R4IP8 - RJ45 connector



1421128

<https://www.phoenixcontact.com/us/products/1421128>

## Dimensions

Width	13.6 mm
Height	41.2 mm
Length	37.9 mm

## Material specifications

Material	Plastic
Flammability rating according to UL 94	V0
Housing surface material	Ni
Cable seal material	NBR
Contact material	CuSn
Contact surface material	Au/Ni
Contact carrier material	PC
Locking latch material	Stainless steel
Housing material	Metal

## Cable/line

External cable diameter ( )	5 mm ... 9 mm
External cable diameter	5 mm ... 9 mm
Wire diameter including insulation	≤ 1.6 mm
Test voltage Core/Core	1000 V
Test voltage Core/Shield	1500 V

## Mechanical properties

### Mechanical data

Insertion/withdrawal cycles	≥ 750
Insertion force per signal contact	< 20.00 N
Extraction force per signal contact	< 20 N

## Environmental and real-life conditions

### Test specification

Type of test	Vibration test
Specification	IEC 60068-2-6
Frequency	10-500 Hz
Sweep speed	1 octave/min
Amplitude	0.35 mm
Acceleration	50 m/s <sup>2</sup>
Test duration	20 s

### Ambient conditions

Degree of protection	IP20
Ambient temperature (operation)	-40 °C ... 70 °C
Ambient temperature (storage/transport)	-40 °C ... 70 °C

# CUC-IND-C1ZNI-T/R4IP8 - RJ45 connector



1421128

<https://www.phoenixcontact.com/us/products/1421128>

## Mounting

Mounting type	For field assembly
Connection method	Insulation displacement connection

# CUC-IND-C1ZNI-T/R4IP8 - RJ45 connector

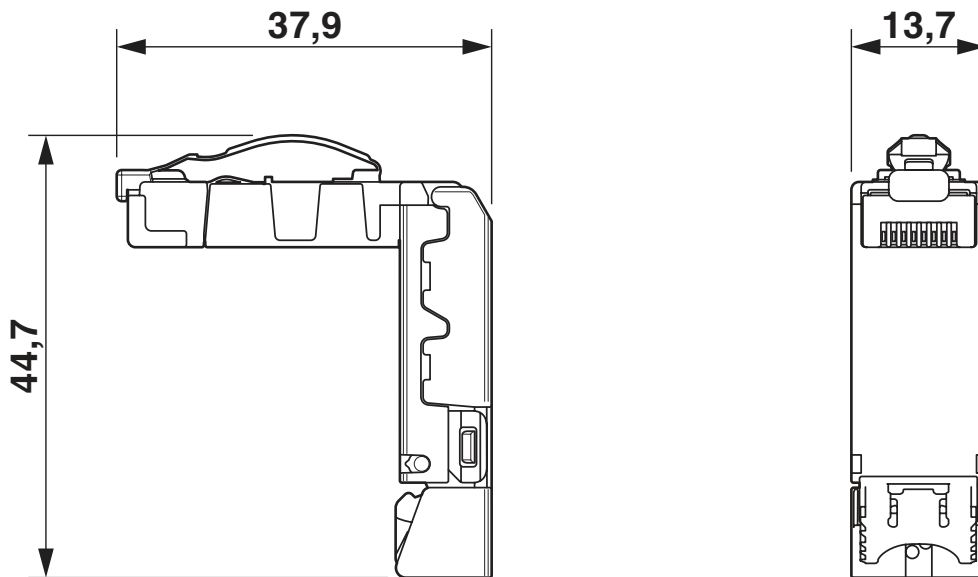
1421128

<https://www.phoenixcontact.com/us/products/1421128>



## Drawings

Dimensional drawing



RJ45 connector, IP20

# CUC-IND-C1ZNI-T/R4IP8 - RJ45 connector



1421128

<https://www.phoenixcontact.com/us/products/1421128>

## Approvals

To download certificates, visit the product detail page: <https://www.phoenixcontact.com/us/products/1421128>



**EAC**

Approval ID: B.01687



**cULus Recognized**

Approval ID: E335024-20170228

	Nominal voltage $U_N$	Nominal current $I_N$	Cross section AWG	Cross section $\text{mm}^2$
	56.5 V	0.175 A	-	-

# CUC-IND-C1ZNI-T/R4IP8 - RJ45 connector



1421128

<https://www.phoenixcontact.com/us/products/1421128>

## Classifications

### ECLASS

ECLASS-11.0	27440102
ECLASS-12.0	27440116
ECLASS-13.0	27440116

### ETIM

ETIM 8.0	EC002635
----------	----------

### UNSPSC

UNSPSC 21.0	39121400
-------------	----------

# CUC-IND-C1ZNI-T/R4IP8 - RJ45 connector



1421128

<https://www.phoenixcontact.com/us/products/1421128>

## Environmental product compliance

China RoHS	Environmentally friendly use period: unlimited = EFUP-e
	No hazardous substances above threshold values



# CUC-IND-C1ZNI-T/R4IP8 - RJ45 connector



1421128

<https://www.phoenixcontact.com/us/products/1421128>

## Accessories

### VS-CABLE-STRIP-VARIO - Stripping tool

1657407

<https://www.phoenixcontact.com/us/products/1657407>

Stripping tool, for the multi-level stripping of shielded cables



---

### MICROFOX-SP-1 - Diagonal cutter

1212487

<https://www.phoenixcontact.com/us/products/1212487>

Electronic diagonal cutter, tapered head, without chamfer, with opening spring, non-reflective phosphate-treated surface, punched version



# CUC-IND-C1ZNI-T/R4IP8 - RJ45 connector



1421128

<https://www.phoenixcontact.com/us/products/1421128>

## TMT 5 R - Marker for terminal blocks

0816430

<https://www.phoenixcontact.com/us/products/0816430>



Marker for terminal blocks, Roll, white, unlabeled, can be labeled with: THERMOMARK E.300 (D)/600 (D), THERMOMARK ROLL 2.0, THERMOMARK ROLL, THERMOMARK ROLL X1, THERMOMARK ROLLMASTER 300/600, THERMOMARK X1.2, perforated, mounting type: snapped, snap into flat marker groove, for terminal block width: 5.2 mm, lettering field size: 6.4 x 5.15 mm, Number of individual labels: 19000

---

## TMT 5 R RD - Marker for terminal blocks

0816427

<https://www.phoenixcontact.com/us/products/0816427>



Marker for terminal blocks, Roll, red, unlabeled, can be labeled with: THERMOMARK E.300 (D)/600 (D), THERMOMARK ROLL 2.0, THERMOMARK ROLL, THERMOMARK ROLL X1, THERMOMARK ROLLMASTER 300/600, THERMOMARK X1.2, perforated, mounting type: snap into universal marker groove, snap into flat marker groove, for terminal block width: 5.2 mm, lettering field size: 6.4 x 5.15 mm, Number of individual labels: 19000

# CUC-IND-C1ZNI-T/R4IP8 - RJ45 connector



1421128

<https://www.phoenixcontact.com/us/products/1421128>

## TMT 5 R GN - Marker for terminal blocks

0816401

<https://www.phoenixcontact.com/us/products/0816401>



Marker for terminal blocks, Roll, green, unlabeled, can be labeled with: THERMOMARK E.300 (D)/600 (D), THERMOMARK ROLL 2.0, THERMOMARK ROLL, THERMOMARK ROLL X1, THERMOMARK ROLLMASTER 300/600, THERMOMARK X1.2, perforated, mounting type: snap into universal marker groove, snap into flat marker groove, for terminal block width: 5.2 mm, lettering field size: 6.4 x 5.15 mm, Number of individual labels: 19000

---

## VS-OE-OE-93B-100,0 - Data cable

1416389

<https://www.phoenixcontact.com/us/products/1416389>



Data cable, PROFINET CAT5 (100 Mbps), 4-position, shielded, free cable end, on free cable end, cable length: 100 m

# CUC-IND-C1ZNI-T/R4IP8 - RJ45 connector



1421128

<https://www.phoenixcontact.com/us/products/1421128>

## VS-OE-OE-93B/... - Data cable

1417362

<https://www.phoenixcontact.com/us/products/1417362>



Data cable, PROFINET CAT5 (100 Mbps), 4-position, shielded, free cable end, on free cable end, cable length: Free entry (0.5 ... 400 m)

---

## VS-PP-F-RJ45-CAT6 - DIN rail adapter

1658118

<https://www.phoenixcontact.com/us/products/1658118>



DIN rail adapter, degree of protection: IP20, number of positions: 8, 1 Gbps, CAT6, material: PC-GF, connection method: IDC fast connection, connection cross section: AWG 24- 22, color: gray

# CUC-IND-C1ZNI-T/R4IP8 - RJ45 connector

1421128

<https://www.phoenixcontact.com/us/products/1421128>



## CUC-PP-D1PGY/R4GC8 - DIN rail adapter

1418094

<https://www.phoenixcontact.com/us/products/1418094>



DIN rail adapter, design: RJ45, degree of protection: IP20, number of positions: 8, 1 Gbps, CAT6, material: PC-GF, connection method: Coupling, color: gray

---

## CUC-F-J1ZNI-S/R4IDC8 - RJ45 jack insert

1418984

<https://www.phoenixcontact.com/us/products/1418984>



RJ45 jack insert, design: RJ45, degree of protection: IP20, number of positions: 8, 10 Gbps, CAT6<sub>A</sub>, material: Metal, connection method: IDC connection, connection cross section: AWG 26- 22, cable outlet: straight, Freenet design for use with IP67 panel mounting frame and terminal outlets, Ethernet

# CUC-IND-C1ZNI-T/R4IP8 - RJ45 connector



1421128

<https://www.phoenixcontact.com/us/products/1421128>

## CUC-K-J1ZNI-S/R4IDC8 - RJ45 jack insert

1419021

<https://www.phoenixcontact.com/us/products/1419021>



RJ45 jack insert, design: RJ45, degree of protection: IP20, number of positions: 8, 10 Gbps, CAT6<sub>A</sub>, material: Metal, connection method: IDC connection, connection cross section: AWG 26- 22, cable outlet: straight, Keystone design for use with IP20 panel mounting frame or integrated directly into the housing panel, Ethernet

---

## VS-OE-OE-937/... - Data cable

1402687

<https://www.phoenixcontact.com/us/products/1402687>



Data cable, PROFINET CAT5 (100 Mbps), 4-position halogen-free, shielded, free cable end, on free cable end, cable length: Free entry (0.5 ... 400 m)

# CUC-IND-C1ZNI-T/R4IP8 - RJ45 connector



1421128

<https://www.phoenixcontact.com/us/products/1421128>

## VS-OE-OE-93R/... - Data cable

1417388

<https://www.phoenixcontact.com/us/products/1417388>



Data cable, PROFINET CAT5 (100 Mbps), 4-position halogen-free, shielded, free cable end, on free cable end, cable length: Free input (0.5 ... 100 m)

---

## VS-93A/... - Data cable

1416486

<https://www.phoenixcontact.com/us/products/1416486>



Data cable, PROFINET CAT5 (100 Mbps), 4-position, free cable end, on free cable end

# CUC-IND-C1ZNI-T/R4IP8 - RJ45 connector



1421128

<https://www.phoenixcontact.com/us/products/1421128>

## VS-OE-OE-93C/... - Data cable

1417491

<https://www.phoenixcontact.com/us/products/1417491>



Data cable, PROFINET CAT5 (100 Mbps), 4-position halogen-free, shielded, free cable end, on free cable end, cable length: Free entry (0.5 ... 400 m)

---

Phoenix Contact 2023 © - all rights reserved

<https://www.phoenixcontact.com>

Phoenix Contact USA  
586 Fulling Mill Road  
Middletown, PA 17057, United States  
(+717) 944-1300  
[info@phoenixcon.com](mailto:info@phoenixcon.com)