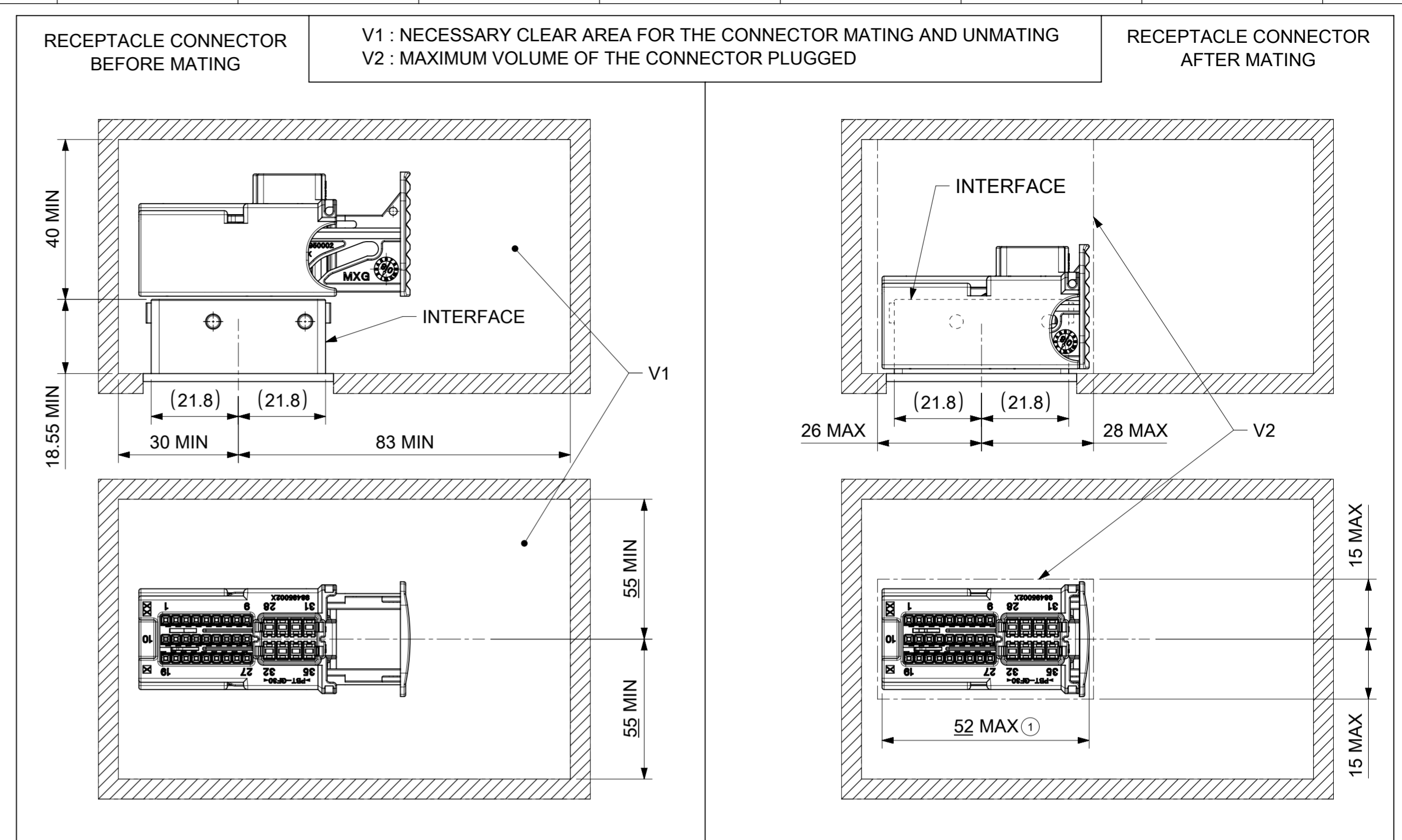
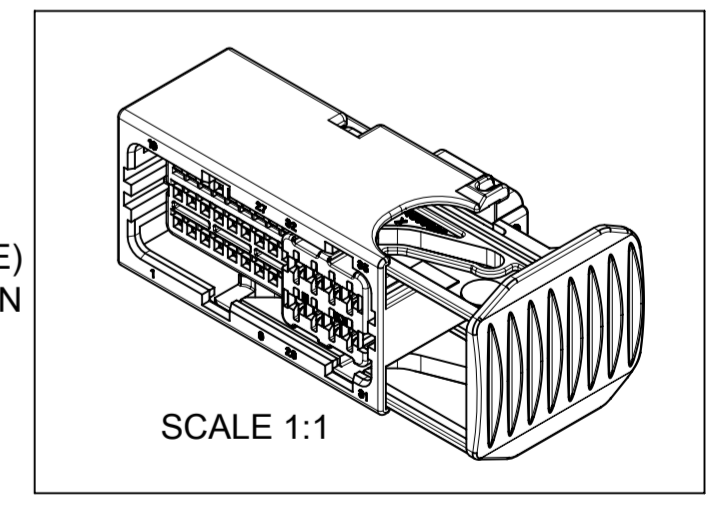


CODING TABLE



- NOTES:
- 1 - PRODUCT SPECIFICATION: 984950001-PS PS 000
  - 2 - APPLICATION SPECIFICATION: 984950001-AS PS 000
  - 3 - PACKAGING SPECIFICATION: PK-31301-336 PDD 001
  - 4 - MATES WITH: 0984981001 (BLACK), 0984981006 (BLUE), 0984981008 (GREY), 0984981009 (BROWN), 0984951000 (WHITE)
  - 5 - FOR USE WITH TERMINALS: SEE APPLICATION SPECIFICATION
  - 6 - PRODUCT WEIGHT (CALCULATED): 22.969g



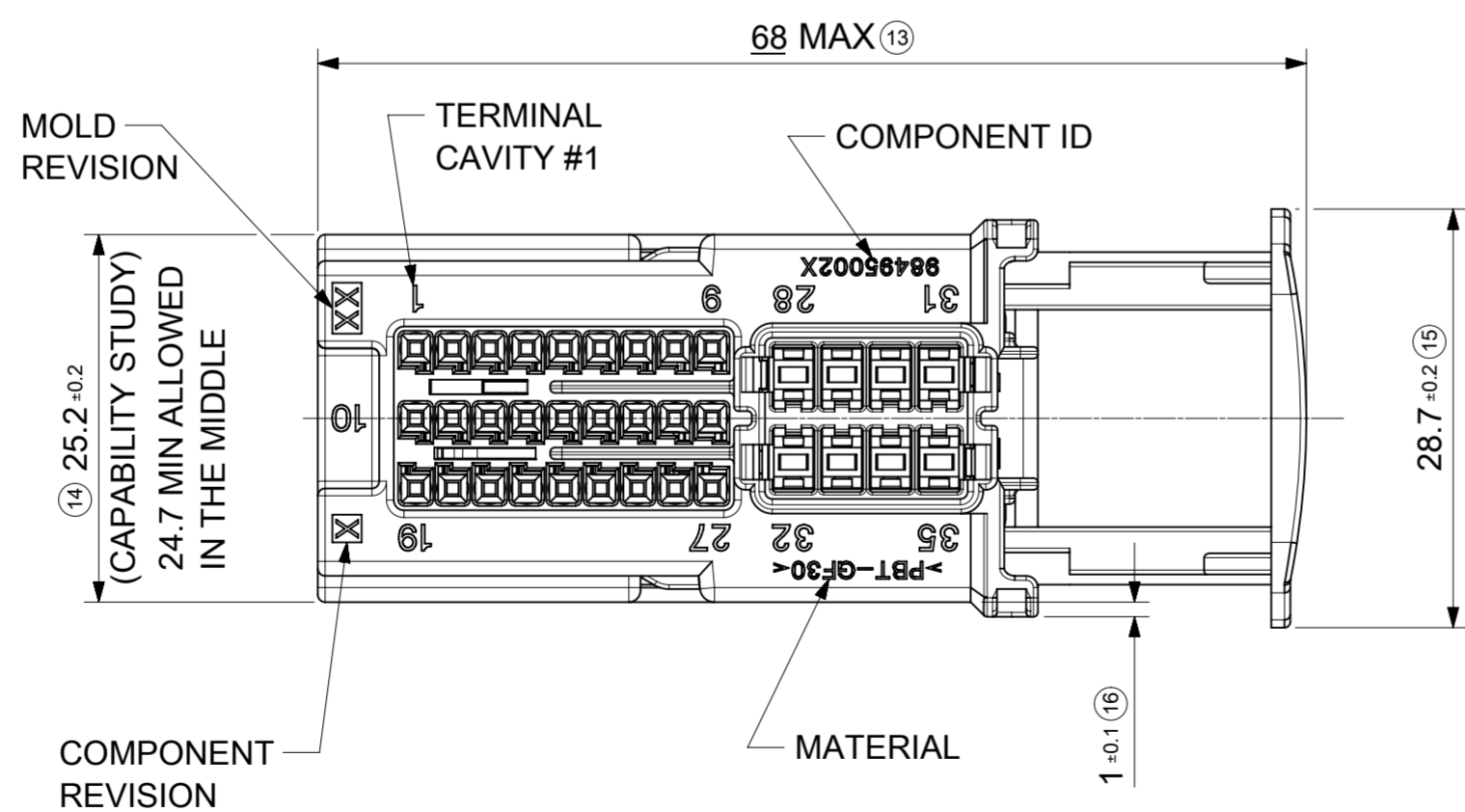
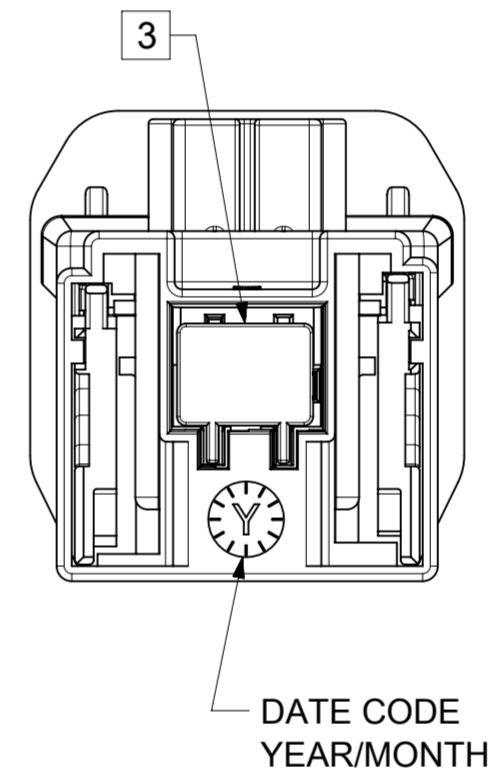
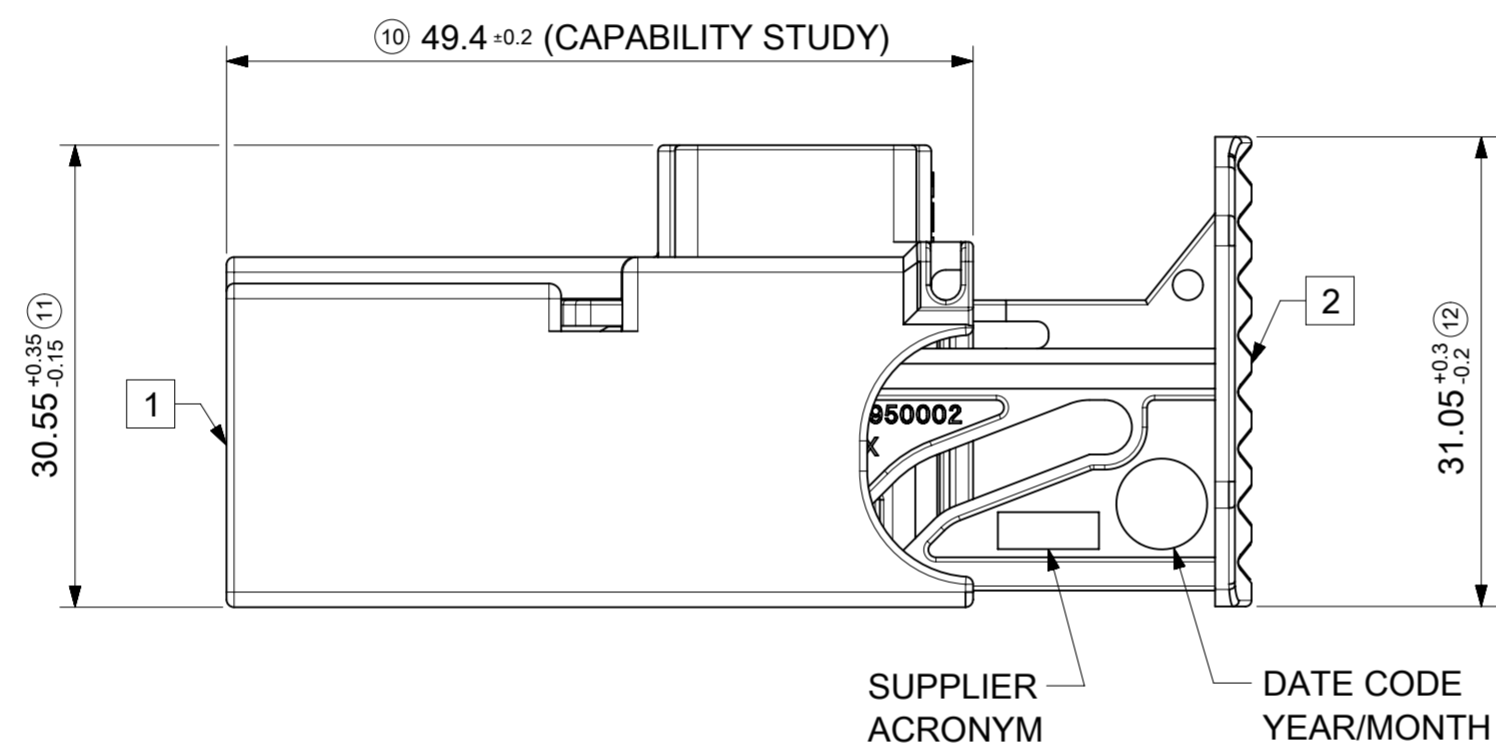
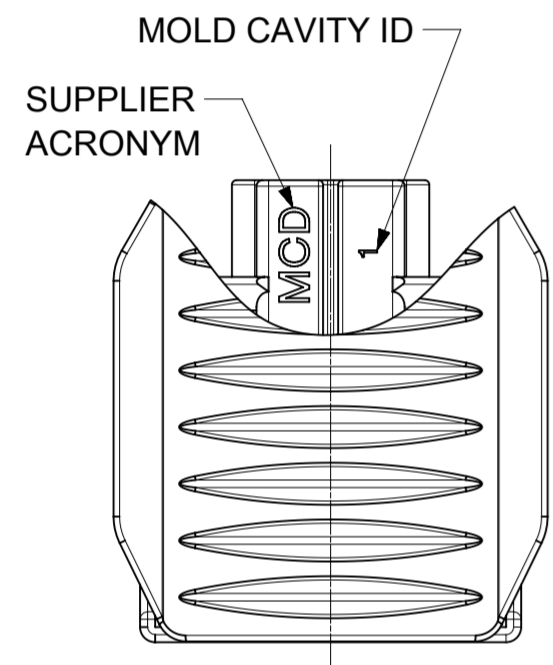
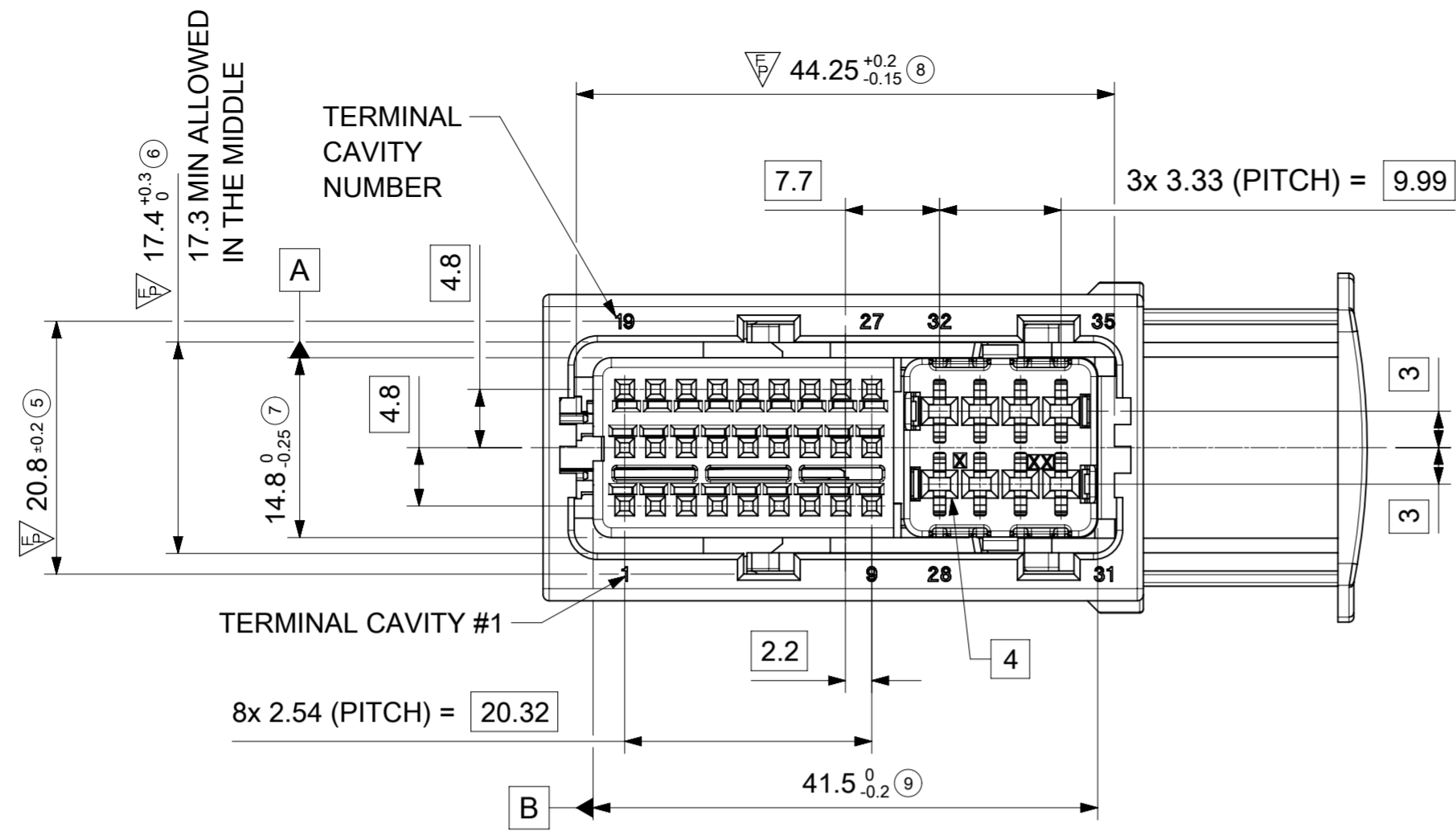
|  |   |           |  |         |        |                  |                |              |  |  |
|--|---|-----------|--|---------|--------|------------------|----------------|--------------|--|--|
| FUNCTIONAL SYMBOLS                                   | THIS DRAWING CONTAINS INFORMATION THAT IS PROPRIETARY TO MOLEX ELECTRONIC TECHNOLOGIES, LLC AND SHOULD NOT BE USED WITHOUT WRITTEN PERMISSION |           |  |         |        |                  |                |              |  |  |
|  | DIMENSION UNITS   | SCALE     | CURRENT REV DESC: ADDED CODING               |         |        |                  |                |              |  |  |
| $F_A = 0$  | mm  | 2:1       |  |         |        |                  |                |              |  |  |
| $F_C = 0$  | GENERAL TOLERANCES (UNLESS SPECIFIED)   |           |  |         |        |                  |                |              |  |  |
| $F_P = 15$   | ANGULAR TOL $\pm 2.0^\circ$   |           |  |         |        |                  |                |              |  |  |
| DIVISIONAL SYMBOLS                                   | 4 PLACES  | $\pm$     | EC NO: 686818                                |         |        |                  |                |              |  |  |
|  | 3 PLACES  | $\pm$     | DRWN: SCV 2021/11/09                         |         |        |                  |                |              |  |  |
|  | 2 PLACES  | $\pm 0.1$ | CHK'D: OPLESSIS 2021/12/03                   |         |        |                  |                |              |  |  |
|  | 1 PLACE   | $\pm 0.2$ | APPR: FPAROLARI 2021/12/06                   |         |        |                  |                |              |  |  |
|  | 0 PLACES  | $\pm$     | INITIAL REVISION: DRWN: FPAROLARI 2021/03/02 |         |        |                  |                |              |  |  |
| DRAFT WHERE APPLICABLE MUST REMAIN WITHIN DIMENSIONS |   |           | FIRST ANGLE PROJECTION                       | DRAWING | SERIES | MATERIAL NUMBER  | CUSTOMER       | SHEET NUMBER |  |  |
|  |   |           |  | A2-SIZE | 98495  | SEE CODING TABLE | GENERAL MARKET | 1 OF 2       |  |  |

**molex**

HYBRID 35W RCPT CONNECTOR  
ROUND WIRE VERSION

PRODUCT CUSTOMER DRAWING

|                 |          |          |          |
|-----------------|----------|----------|----------|
| DOCUMENT NUMBER | DOC TYPE | DOC PART | REVISION |
| 984950001-SD    | PSD      | 000      | A1       |



|     |             |          |                  |
|-----|-------------|----------|------------------|
| 4   | TPA 1.5     | PBT-GF20 | YELLOW           |
| 3   | TPA 0.63    | PBT-GF20 | YELLOW           |
| 2   | SLIDE       | PBT-GF20 | RED              |
| 1   | FEM HOUSING | PBT-GF30 | SEE CODING TABLE |
| REP | DESCRIPTION | MATERIAL | COLOR            |

|  |   |                   |                                |
|--|---|-------------------|--------------------------------|
| FUNCTIONAL SYMBOLS                                   | THIS DRAWING CONTAINS INFORMATION THAT IS PROPRIETARY TO MOLEX ELECTRONIC TECHNOLOGIES, LLC AND SHOULD NOT BE USED WITHOUT WRITTEN PERMISSION |                   |                                |
|  | DIMENSION UNITS   | SCALE             | CURRENT REV DESC: ADDED CODING |
| $F_A = 0$  | mm  | 2:1               |                                |
| $F_C = 0$  | GENERAL TOLERANCES (UNLESS SPECIFIED)   |                   |                                |
| $F_P = 4$  | ANGULAR TOL $\pm 2.0^\circ$   |                   |                                |
| DIVISIONAL SYMBOLS                                   | 4 PLACES $\pm$  | EC NO: 686818     | 2021/11/09                     |
|  | 3 PLACES $\pm$  | DRWN: SCV         | 2021/12/03                     |
|  | 2 PLACES $\pm 0.1$  | CHK'D: OPLESSIS   | 2021/12/06                     |
|  | 1 PLACE $\pm 0.2$   | APPR: FPAROLARI   |                                |
|  | 0 PLACES $\pm$  | INITIAL REVISION: |                                |
|  |   | DRWN: FPAROLARI   | 2021/03/02                     |
|  |   | APPR: BDESSIRIER  | 2021/03/26                     |
| DRAFT WHERE APPLICABLE MUST REMAIN WITHIN DIMENSIONS | FIRST ANGLE PROJECTION  | DRAWING           | SERIES                         |
|  |   | A2-SIZE           | 98495                          |
| DOCUMENT STATUS                                      | P1  | RELEASE DATE      | 2021/12/06 11:35:16            |

# molex

HYBRID 35W RCPT CONNECTOR  
ROUND WIRE VERSION

PRODUCT CUSTOMER DRAWING

|                 |          |          |          |
|-----------------|----------|----------|----------|
| DOCUMENT NUMBER | DOC TYPE | DOC PART | REVISION |
| 984950001-SD    | PSD      | 000      | A1       |

|                  |                |              |
|------------------|----------------|--------------|
| MATERIAL NUMBER  | CUSTOMER       | SHEET NUMBER |
| SEE CODING TABLE | GENERAL MARKET | 2 OF 2       |