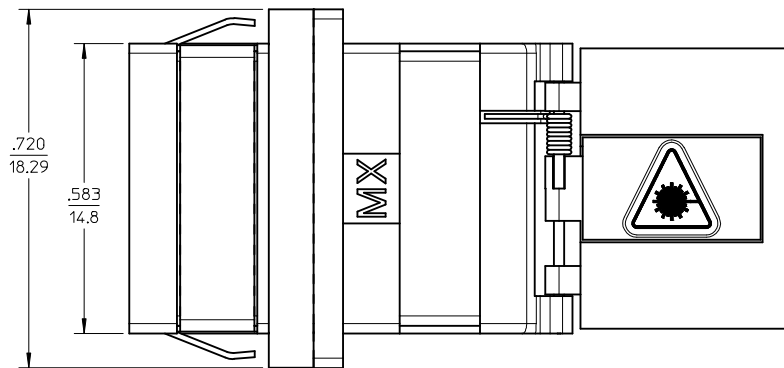
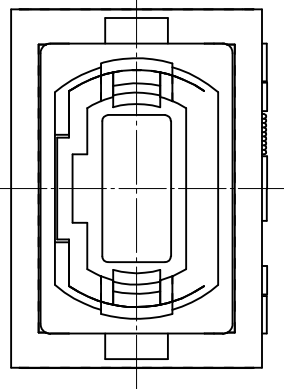


RECOMMENDED PANEL CUTOUT
PANEL THICKNESS - 1.22mm/.048"



NOTES:

1. ALL DIMENSIONS ARE FOR REFERENCE ONLY.
2. CONDUCTIVE SILICONE GASKET IS SUPPLIED WITH PART.
3. OUTER SHELL OF PART IS DIECAST.
4. DUST CAP SHOWN ONLY IN ISOMETRIC VIEW.
5. ADAPTRS TO BE PACKAGED IN TRAY.

ENTER DESCRIPTION EC NO: MF2014-0069 DRW: Y8EDNYAK 2013/08/01 CHKD: APPR: JGUMIN 2013/08/12	QUALITY SYMBOLS ▽=0 ▽=0	GENERAL TOLERANCES (UNLESS SPECIFIED) mm INCH 4 PLACES ± --- ± --- 3 PLACES ± --- ± --- 2 PLACES ± --- ± --- 1 PLACE ± --- ± --- ANGULAR ±1/2°	DIMENSION STYLE IN/MM DRAWN BY DATE PGI BL IN 2005/11/17 CHECKED BY DATE APPROVED BY DATE	SCALE 4:1 DESIGN UNITS INCH THIRD ANGLE PROJECTION
	DRAFT WHERE APPLICABLE MUST REMAIN WITHIN DIMENSIONS		MATERIAL NO. 1061141300	TITLE MPO EMI ADAPTER (SNAP MOUNT)
			MOLEX INCORPORATED	SHEET NO. 1 OF 1
	THIS DRAWING CONTAINS INFORMATION THAT IS PROPRIETARY TO MOLEX INCORPORATED AND SHOULD NOT BE USED WITHOUT WRITTEN PERMISSION			