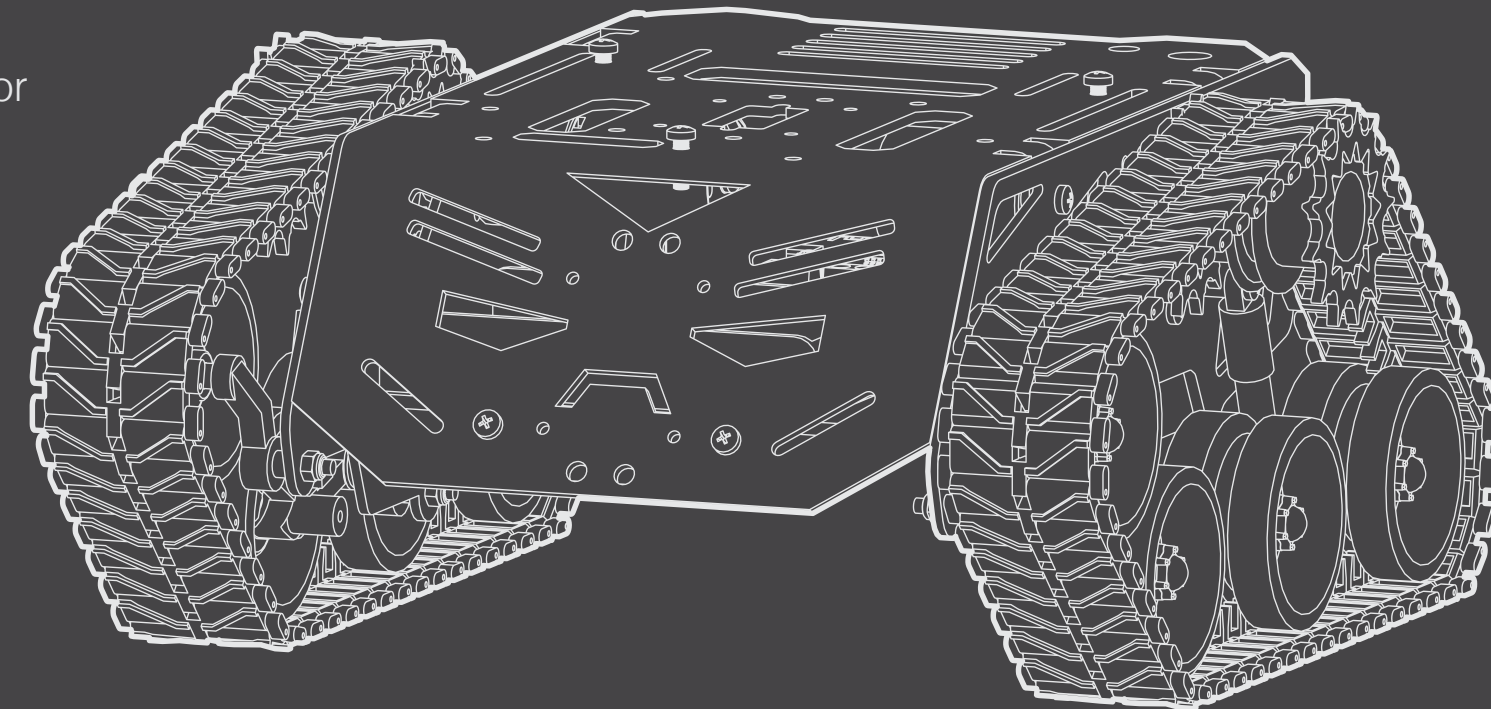


# DEVASTATOR

## Tank Mobile Platform Instrution Manual

Metal DC Gear Motor  
with Back Shaft



网站: [www.dfrobot.com.cn](http://www.dfrobot.com.cn)  
电话: 86-21-61620183  
技术支持: [Techsupport@dfrobot.com](mailto:Techsupport@dfrobot.com)  
地址: 上海市浦东新区亮秀路112号Y1座615室



dfrobot dfrobot

© 本说明书最终解释权归DFRobot所有

Website: [www.dfrobot.com](http://www.dfrobot.com)  
Tel: 86-21-61620183  
Service: [Techsupport@dfrobot.com](mailto:Techsupport@dfrobot.com)  
Address: Rm. 615, Bldg Y1, NO.112, Liangxiu Rd., Pudong, China



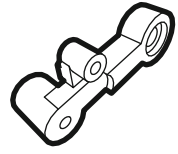
dfrobot dfrobot dfrobotcn

© DFRobot has the final authority of interpretation on this manual.

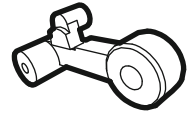


Parts List

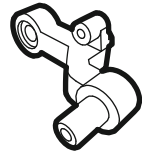
Parts List



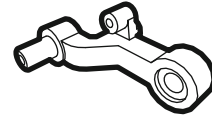
**A1-1** x1



**A1-2** x1



**A2-1** x2



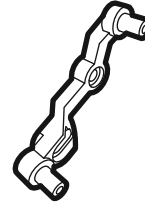
**A2-2** x2



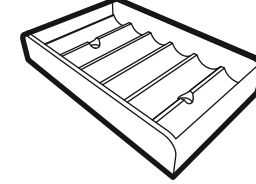
**A3** x6



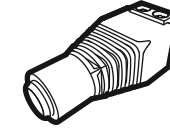
**A4-1** x1



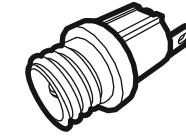
**A4-2** x1



**F1** x1



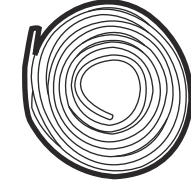
**F2** x1



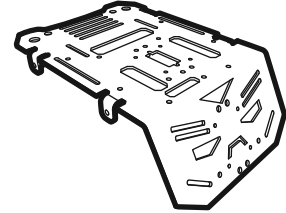
**F3** x1



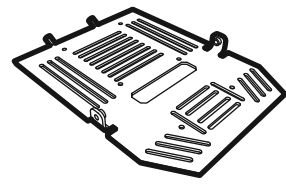
**F4** x1



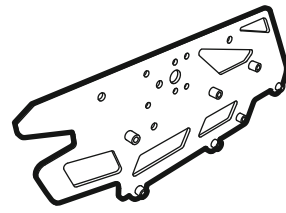
**F5** x1



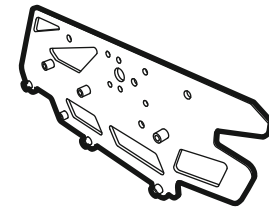
**B1** x1



**B2** x1



**B3** x1

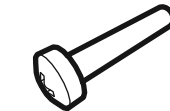


**B4** x1



**C1** x2

M2.6x14mm  
Phillips Self Tapping Screw



**C2** x16

M3x16mm  
Phillips Pan Head Machine Screw



**C3** x20

M3  
Locknut



**C4** x16

M3x6mm  
Phillips Pan Head Machine Screw



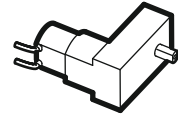
**C5** x8

M2.6x8mm  
Phillips Self Tapping Screw

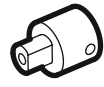


**C6** x2

M3x10mm  
Phillips Flat Head Machine Screw



**D1** x2



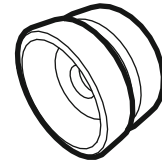
**D2** x2



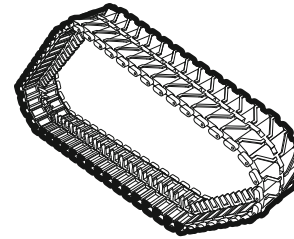
**E1** x2



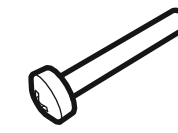
**E2** x8



**E3** x8



**E4** x2



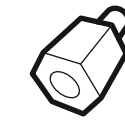
**C7** x4

M2.5x20mm  
Phillips Pan Head Machine Screw



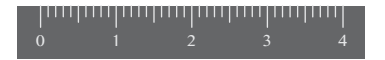
**C8** x4

M2.5  
Locknut



**C9** x4

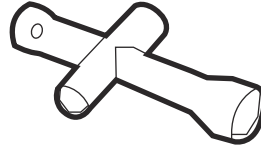
M3x6mm  
Hexagonal Standoffs



**Essential Tools**

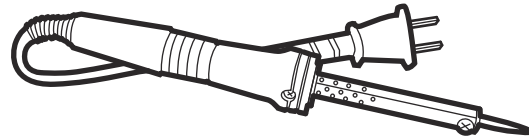


M3 Phillips Screwdriver

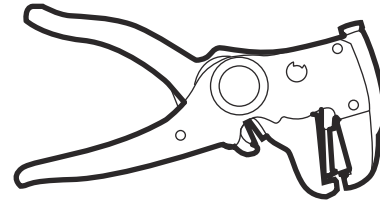


Small Cross Sleeve Wrench

**Selection Tool**

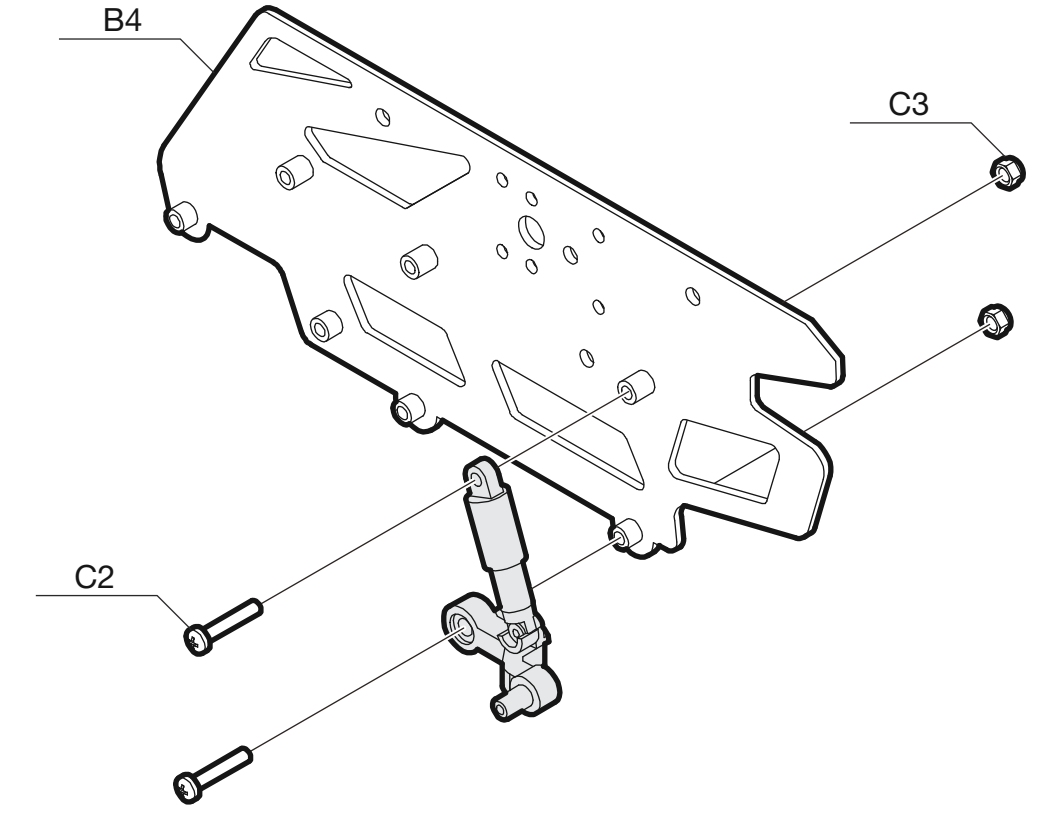
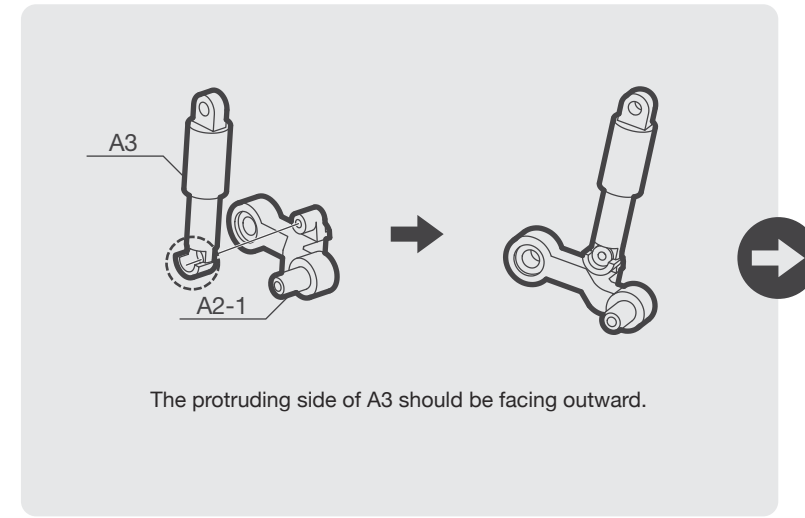


Soldering Iron

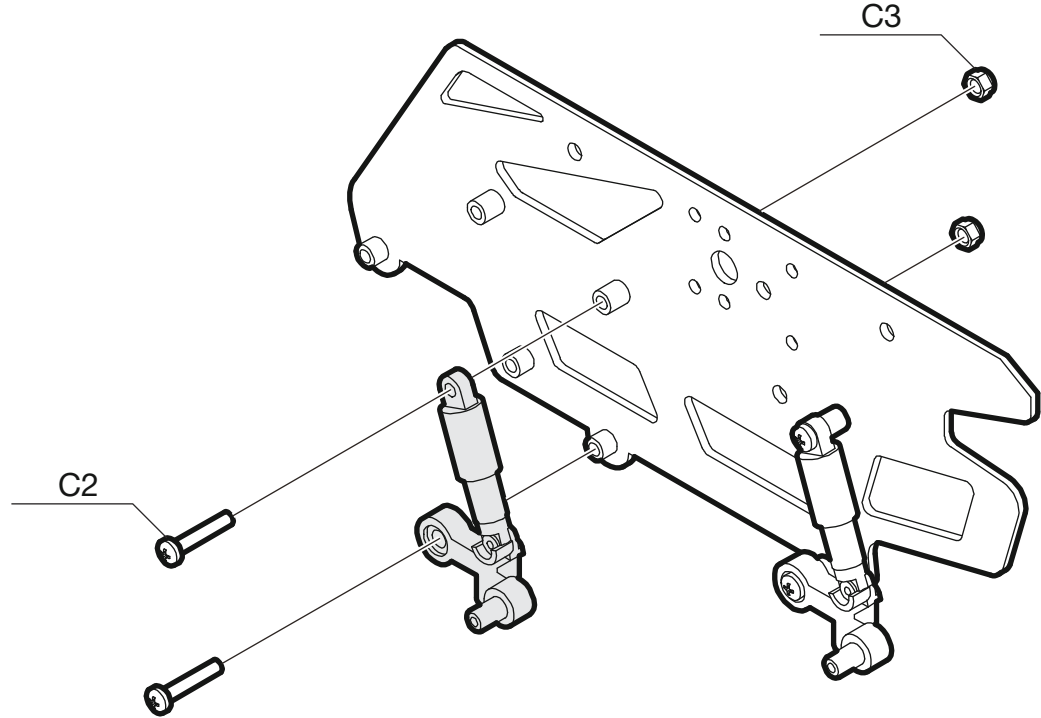
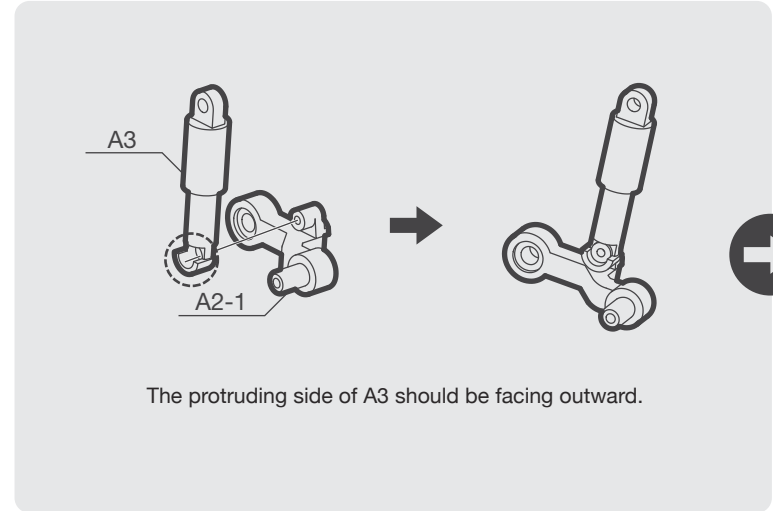


Wire Strippers

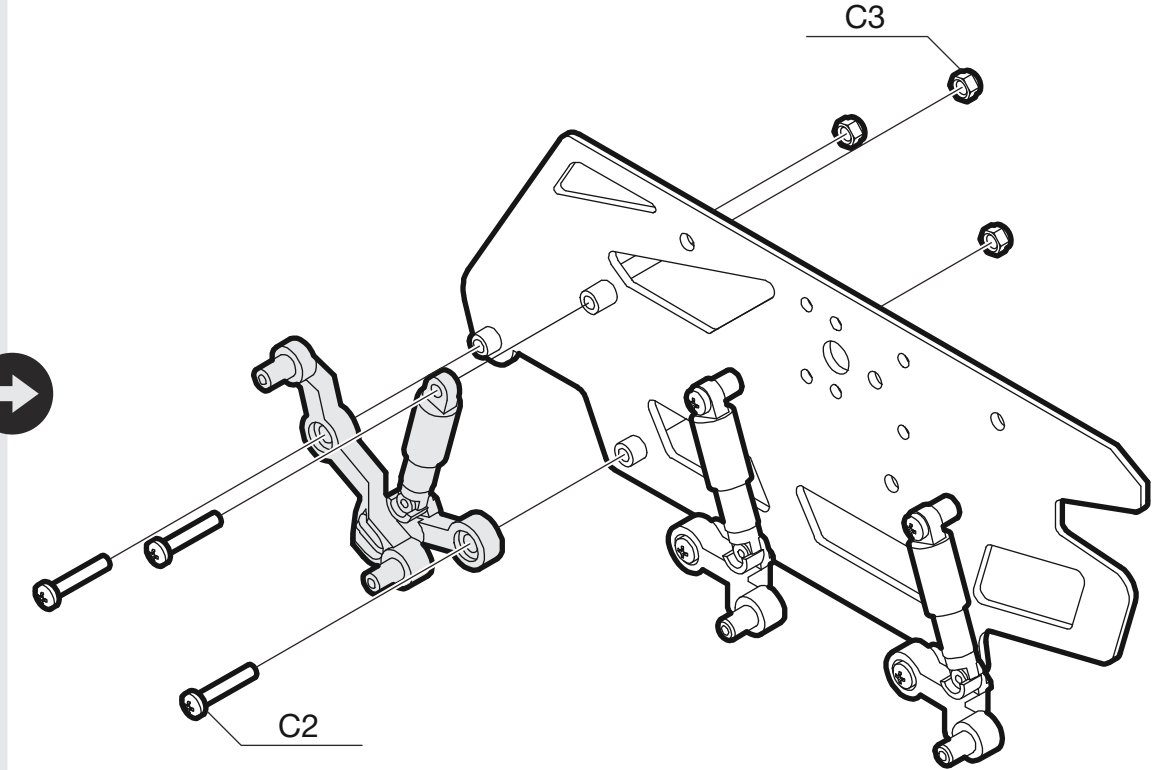
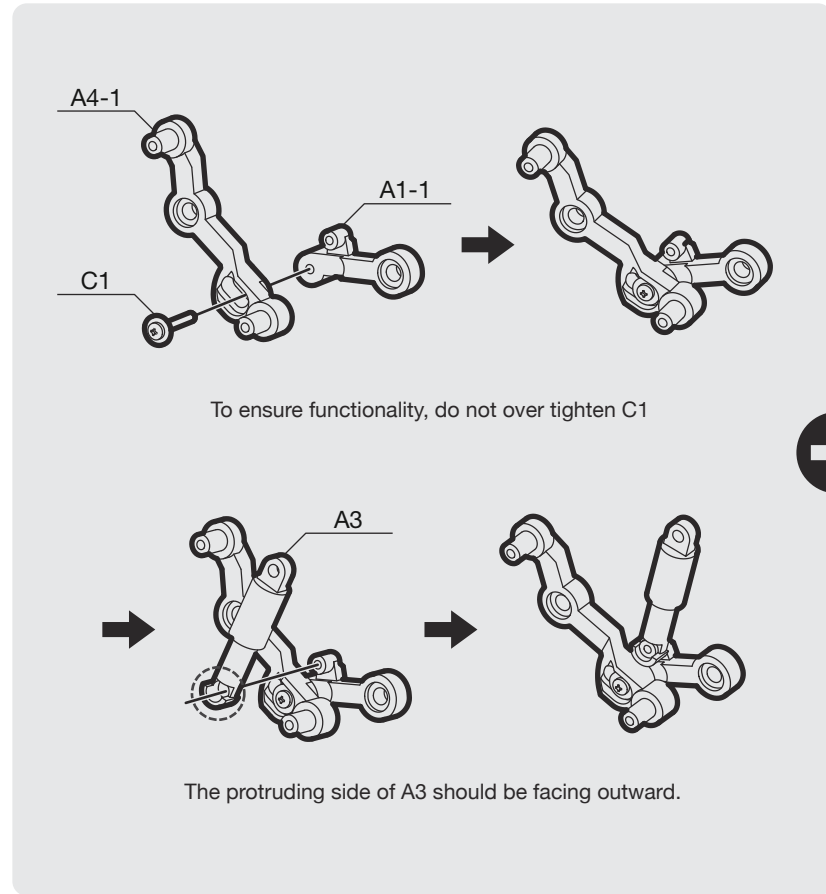
**Note:** Tools and Batteries are not included.

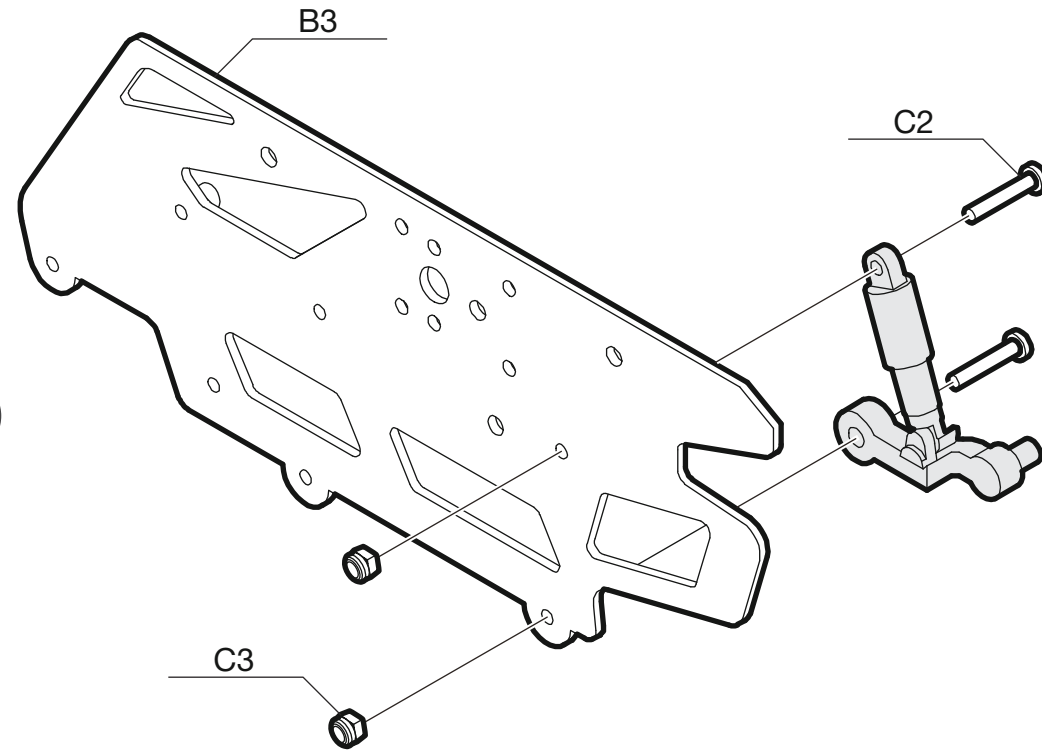
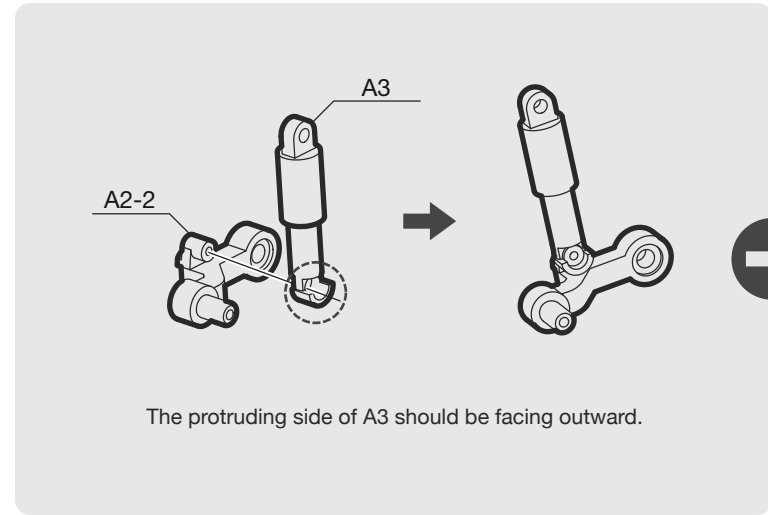


**Make sure the aluminum side panel faces the correct direction.**

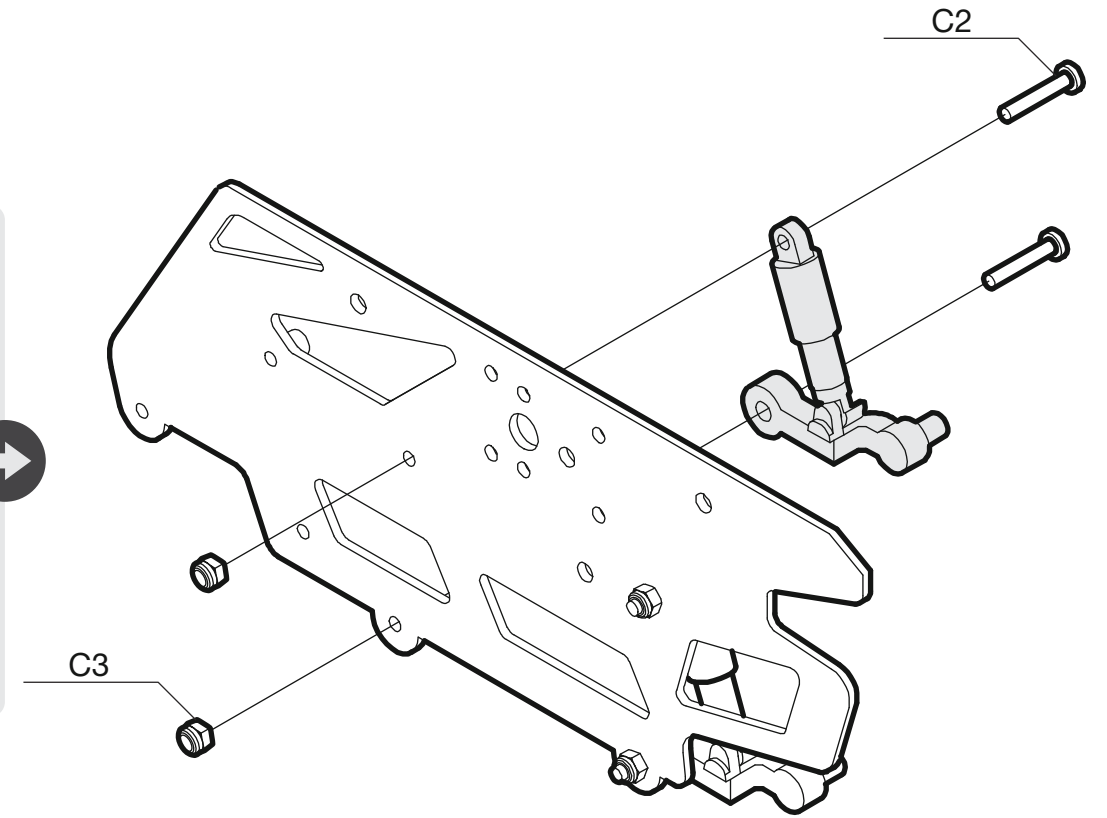
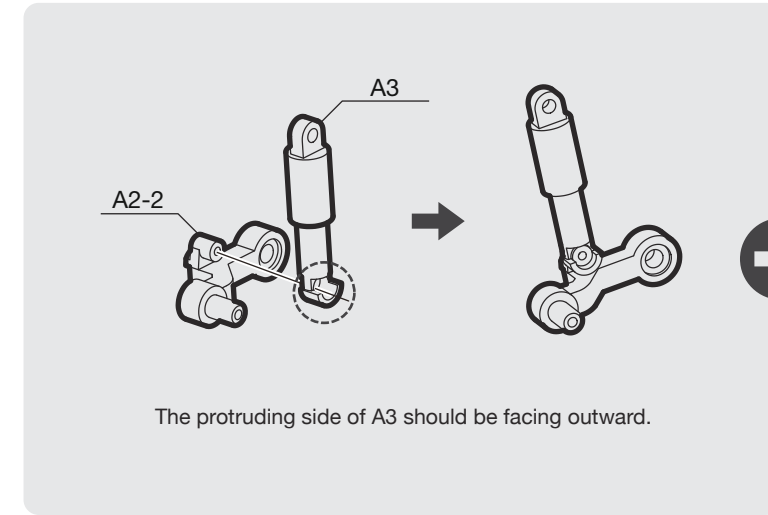


Make sure the aluminum side panel faces the correct direction.

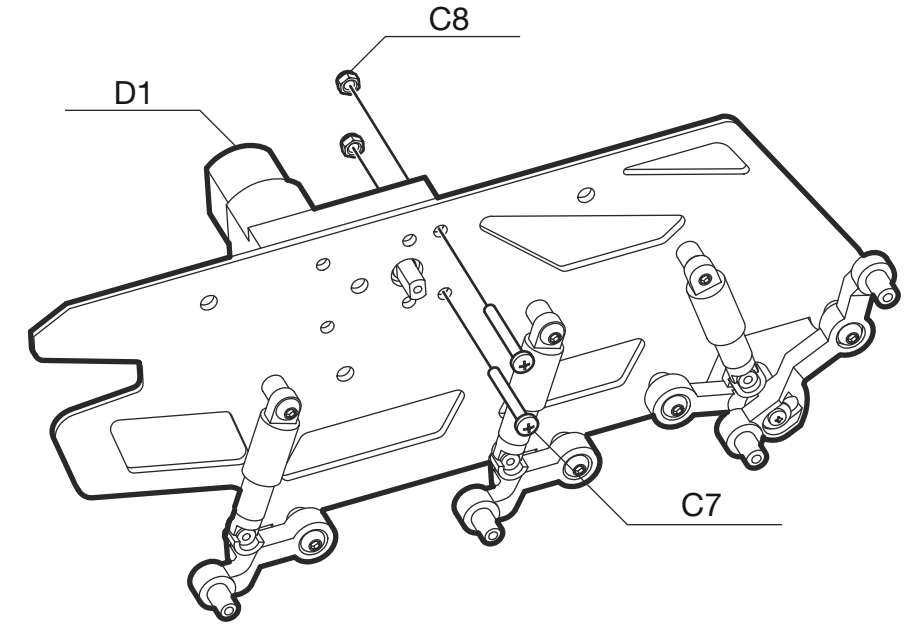
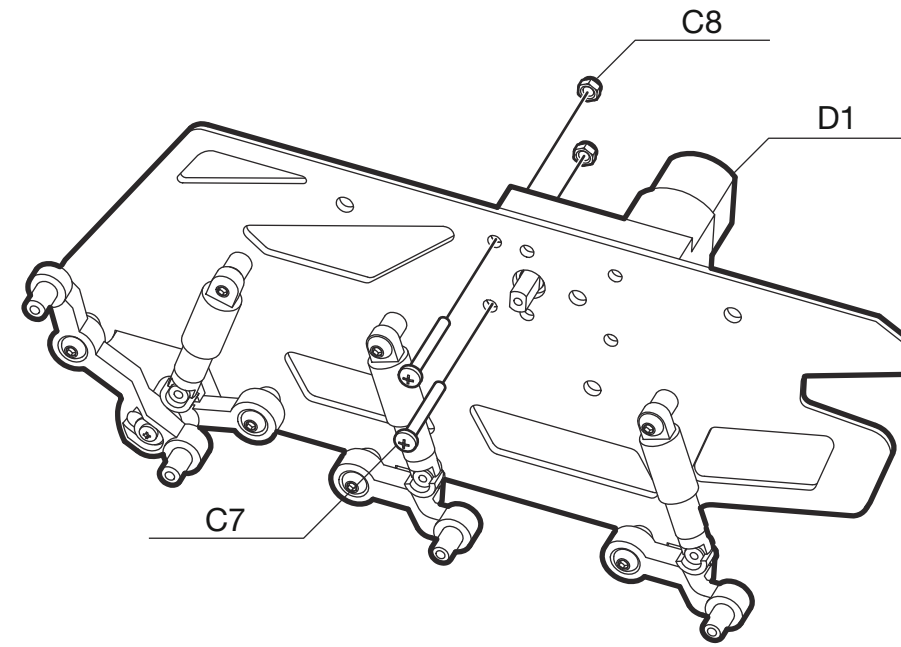
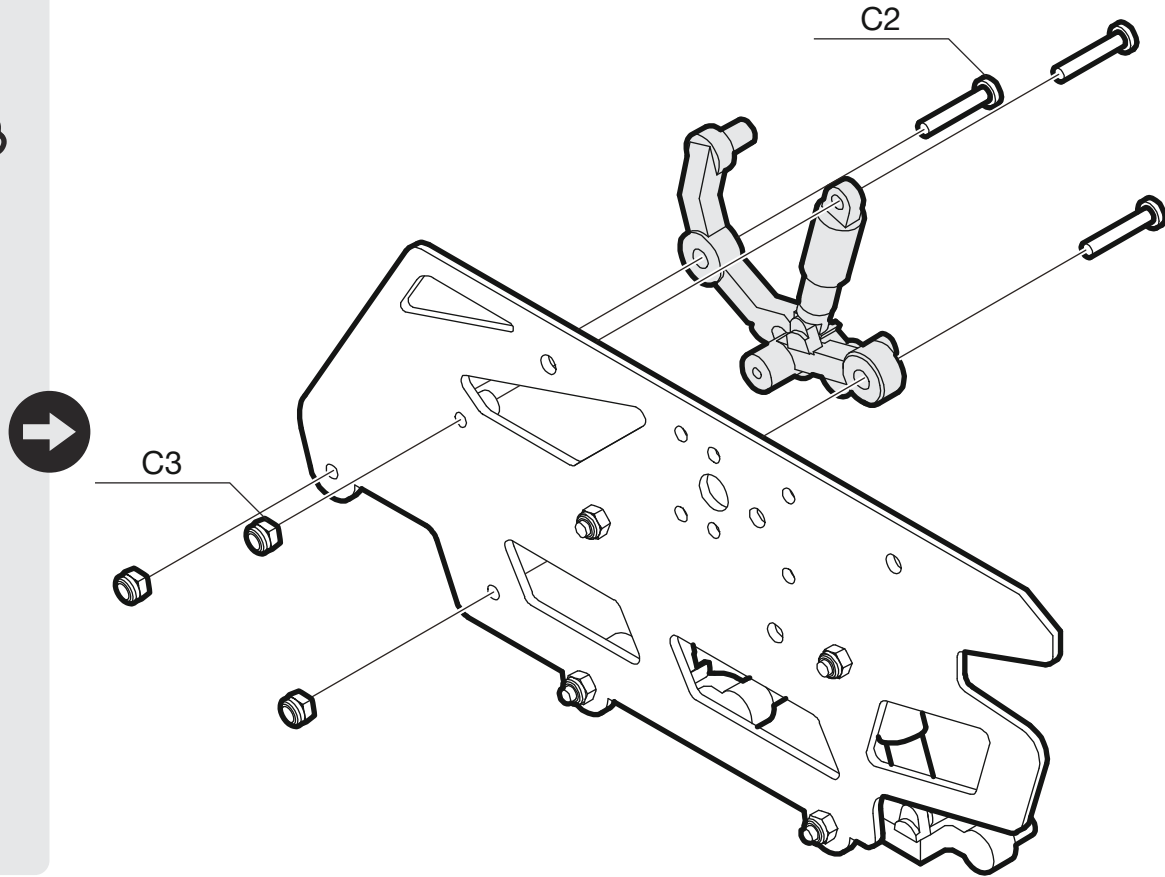
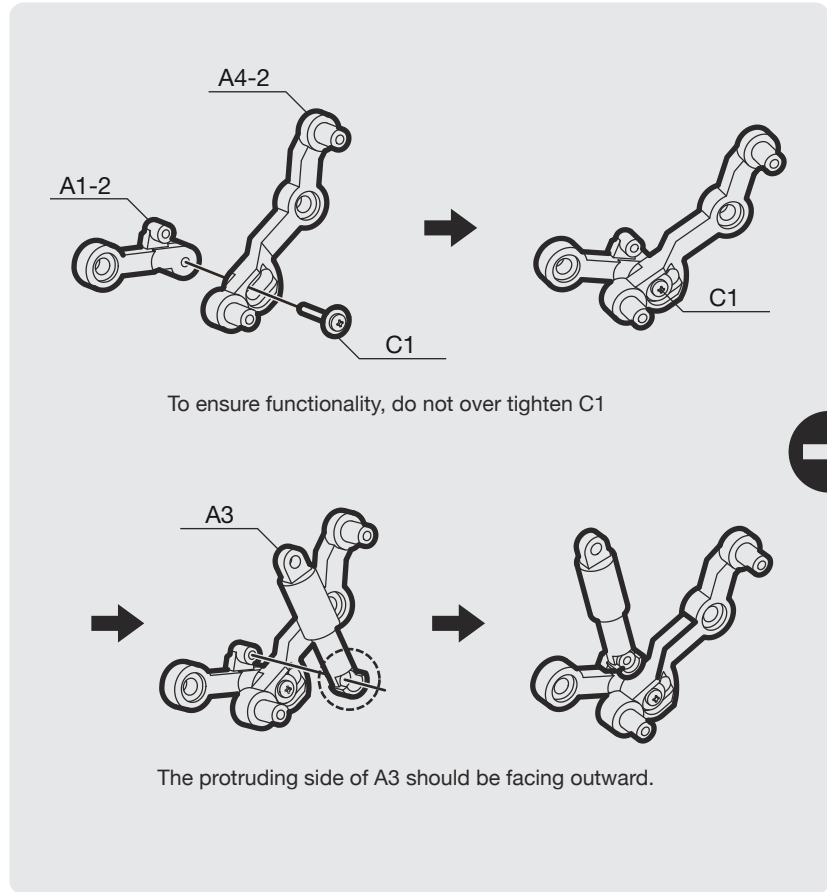


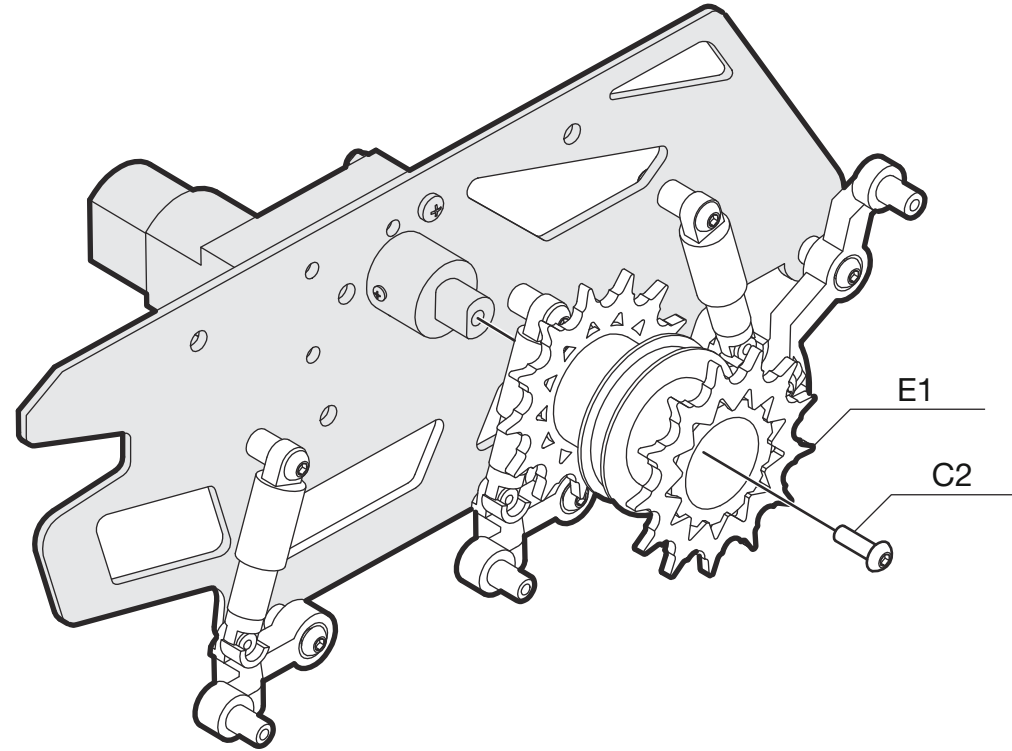
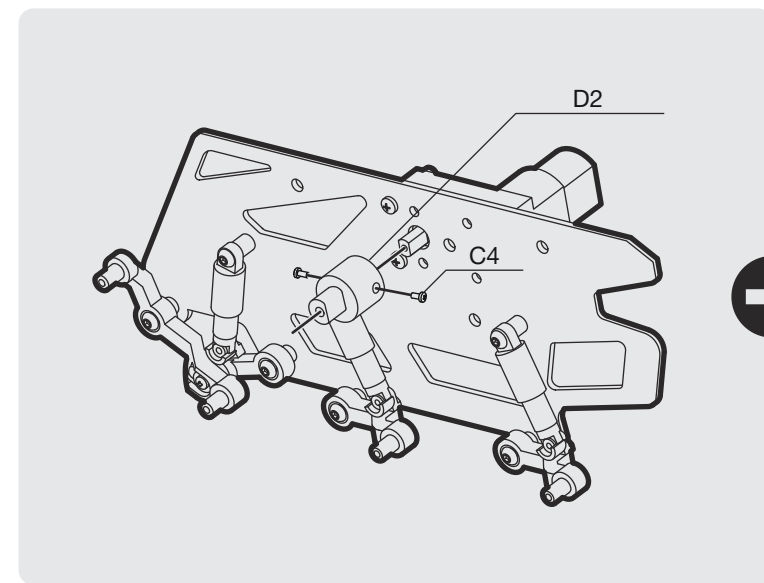
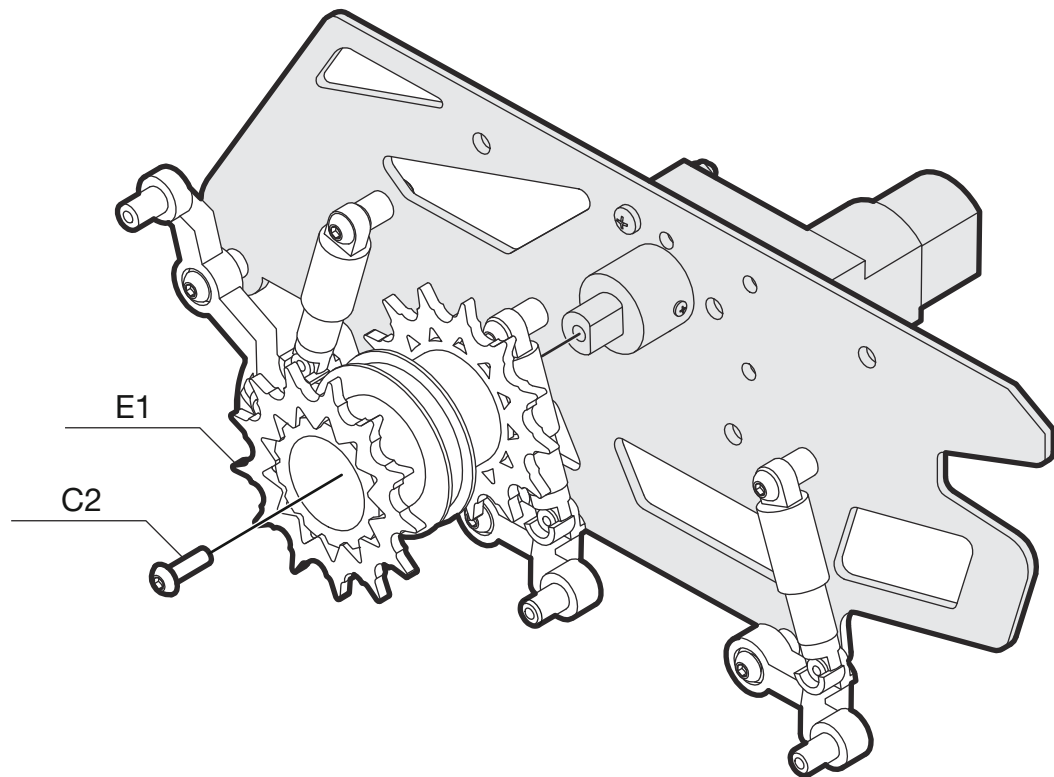
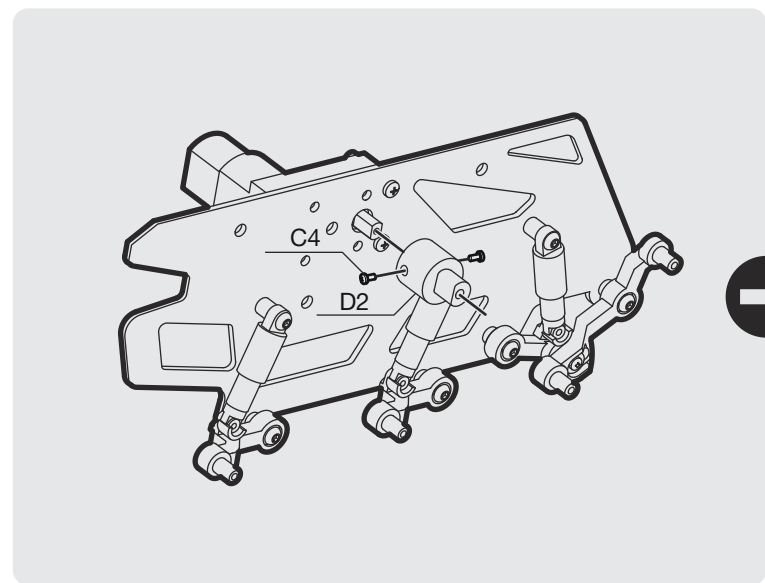


Make sure the aluminum side panel faces the correct direction.

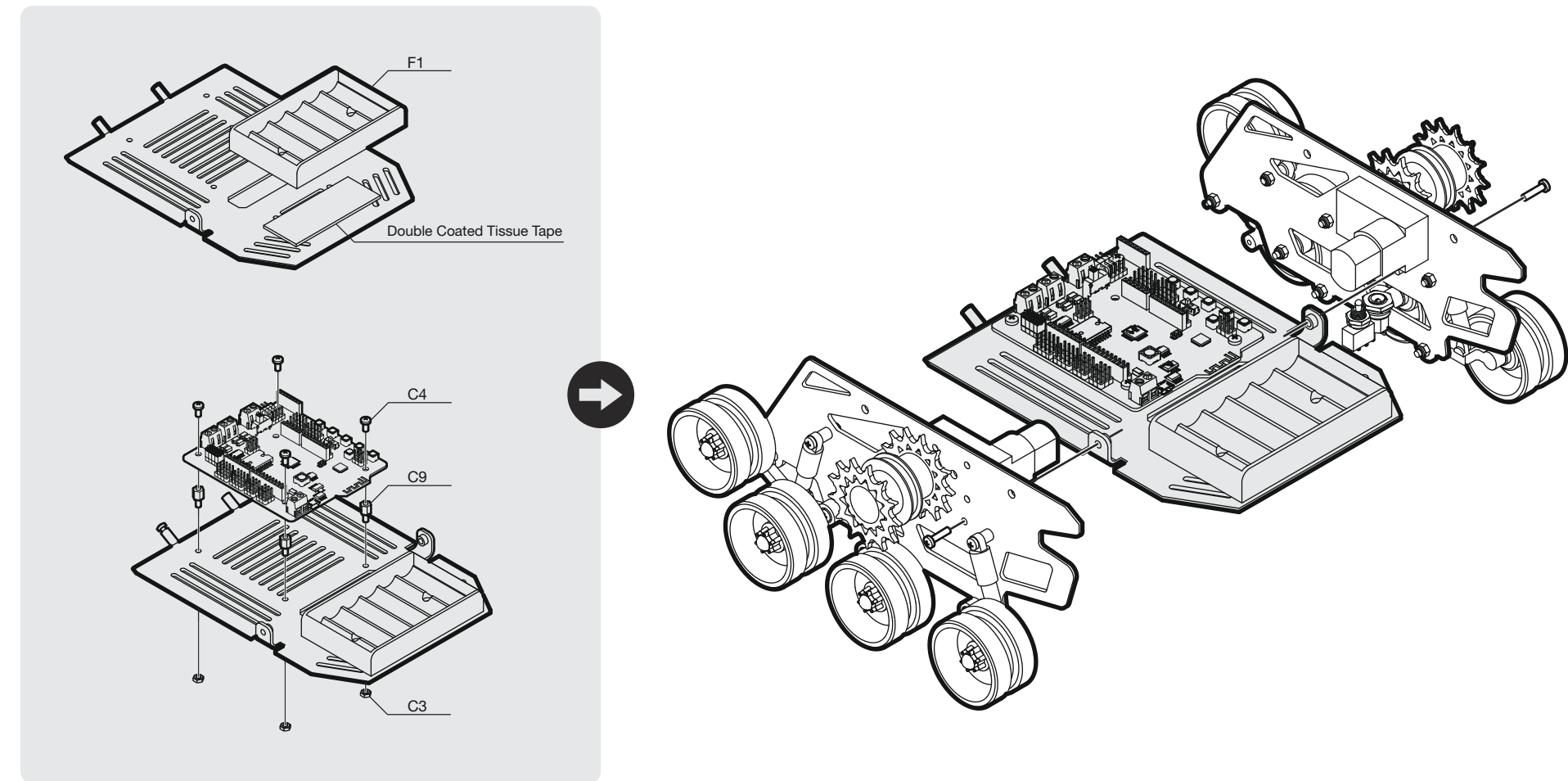
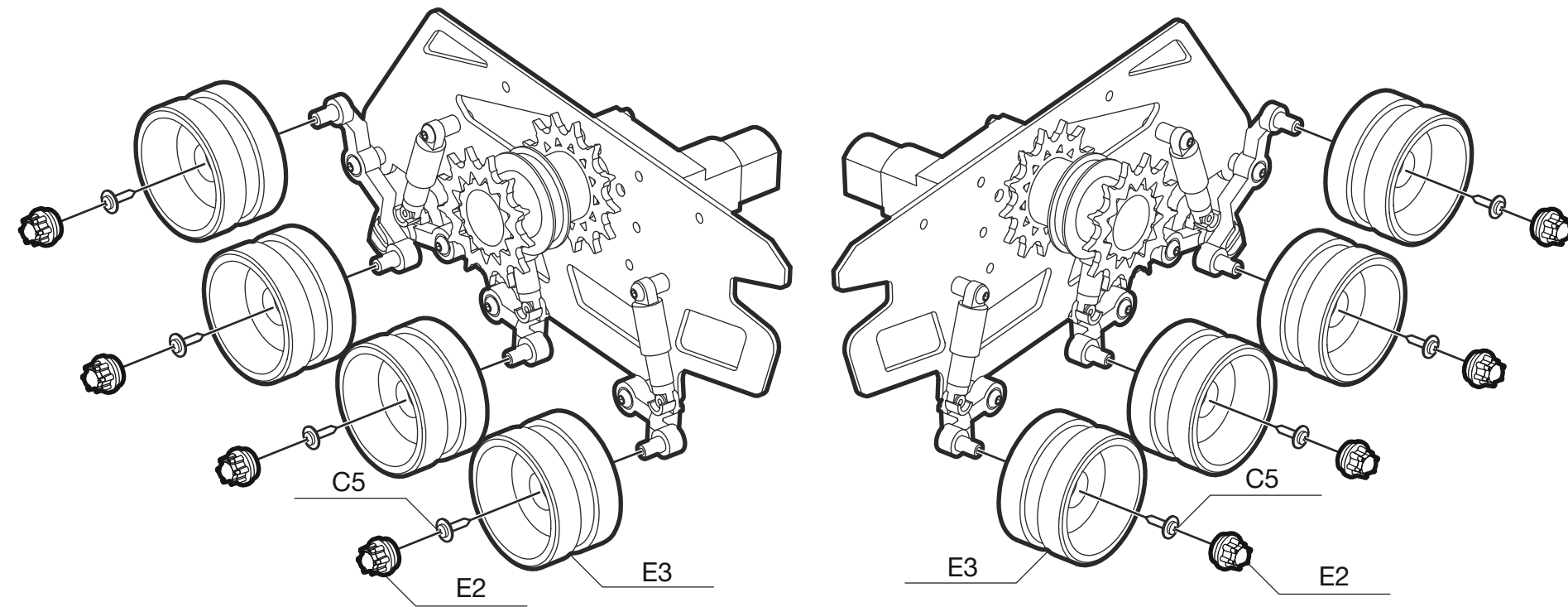


Make sure the aluminum side panel faces the correct direction.



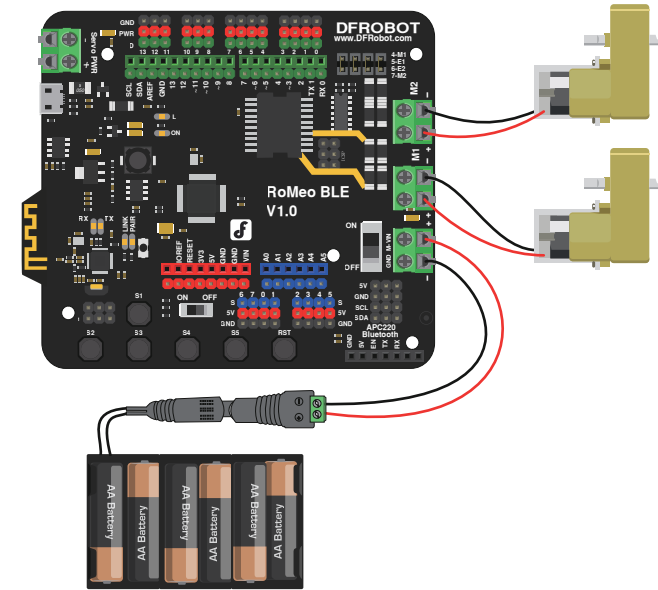




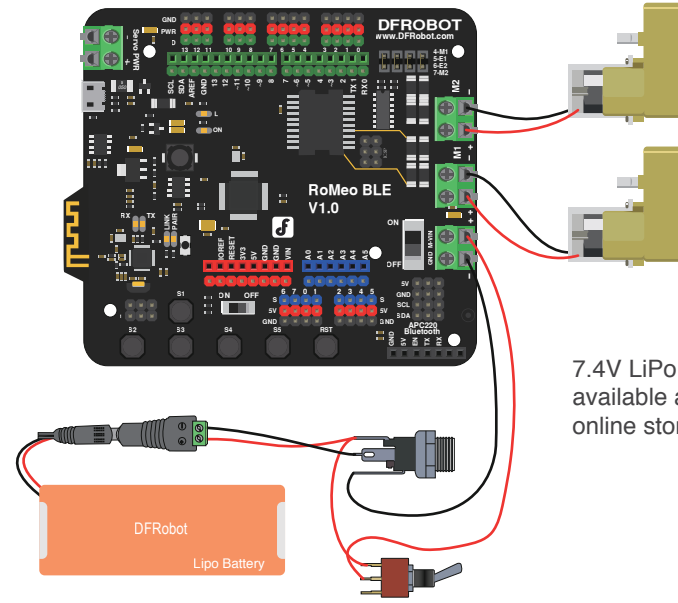




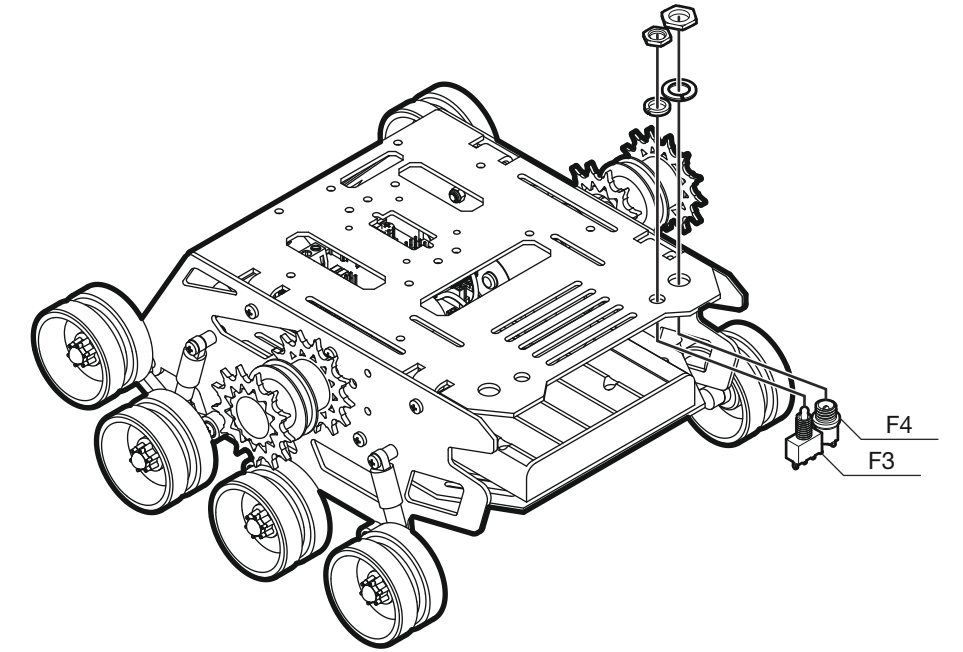
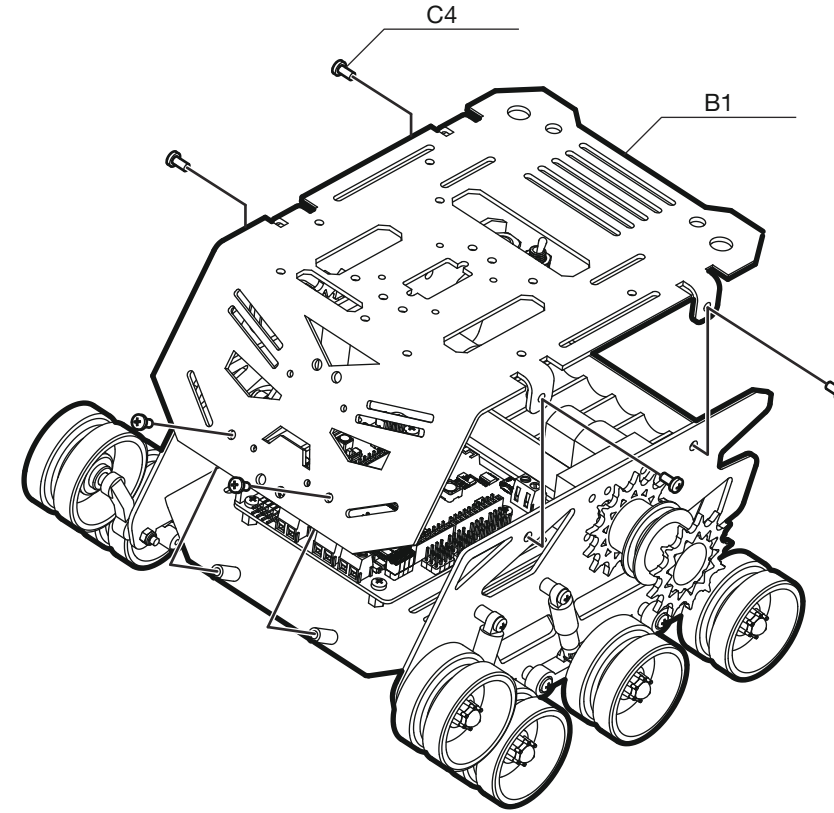
Option A: Battery holder power supply



Option B: Rechargeable battery power supply

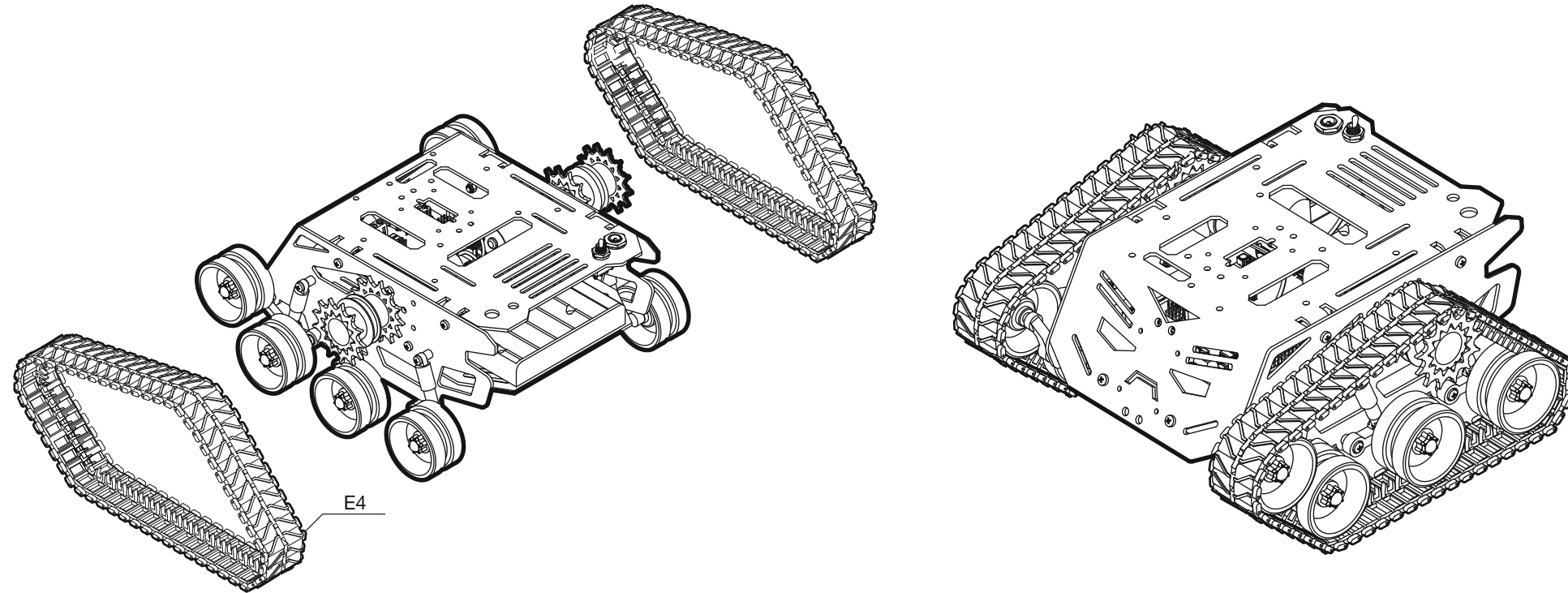


7.4V LiPo batteries are available at the DFRobot online store.



Refer to tutorials on DFRobot Wiki page for trouble shooting.  
<https://www.dfrobot.com/wiki>

ROB0112



## Recommended Products

### Autonomous Obstacle Avoiding Robot

Romeo BLE Controller	(SKU: DFR0305)	X1
Goteck Micro Metal Gear Servo	(SKU: SER0011)	X1
URM37 Ultrasonic Sensor	(SKU: SEN0001)	X1
URM37 Ultrasonic Mounting Bracket	(SKU: FIT0006)	X1

### WiFi Monitoring Robot

Romeo BLE Controller	(SKU: DFR0305)	X1
Hexa Base Rotate KIT	(SKU: ROB0114)	X1
DSS-P05 Standard Servo	(SKU: SER0020)	X2
Pan and Tilt Kit	(SKU: FIT0004)	X1
URM37 Ultrasonic Sensor	(SKU: SEN0001)	X1
URM Ultrasonic Mounting Bracket	(SKU: FIT0006)	X1
2.4G WIFI Camera	(SKU: SEN0022)	X1

### Accessories

7.4V Lipo 2200mAh Battery	(SKU: FIT0137)
Mounting Kit	(SKU: FIT0225)
Jumper Wires 9" F/F	(SKU: FIT0030)
Magnet Micro USB Cable	(SKU: FIT0351-OE)

