

# AR14127CHL



Sample image

**Order symbol:** AR14127CHL

**EAN:** 6418074066954

**Product nbr:** 8561025

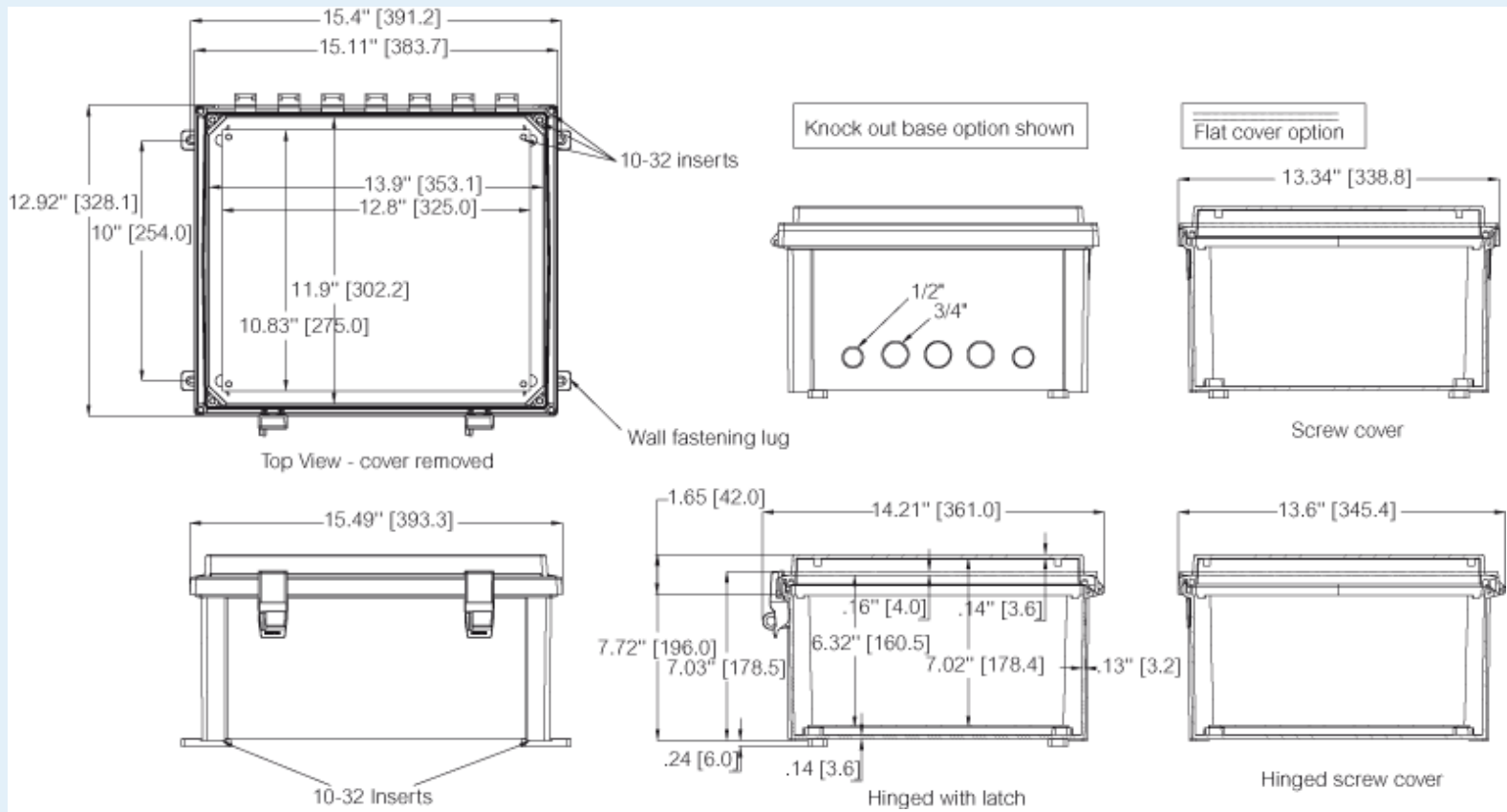
**EI. number:**

**Description:** PC Enclosure

- Finland:
- Denmark:
- Sweden:

**Remarks:** Hinged opaque cover w/Plastic quick release latch

**Including:** Hinged cover. Base with 10-32 brass inserts, latched cover with formed in place PUR gasket, stainless hinge pin. Quick release latches. Enclosure mounting foot kit. Accessory 10-32 screws for panel mounting.



Dimensions:	Height	Width	Depth
mm:	356	305	178
inch:	14	12	7

Accessories:	
ABP1412	Painted Steel Back Panel (325 x 274)

**Materials:**

Material:	Polycarbonate
Base colour:	RAL 7035 -light grey
Cover colour:	RAL 7035 -light grey
Gasket material:	Polyurethane

**Temperatures:**

Temperature °C (short term)::	-40 ... 140
Temperature °C (continuous):	-40 ... 80
Temperature °F (short term):	-40 ... 250
Temperature °F (continuous):	-40 ... 175

ASP1412	Aluminum Swing Panel (305 x 355.7 x 0)
ASPHK14	Swing Panel Kit w/o Panel
AMFL12	12" Mounting Flange Set
ADFP1412	Dead Front Panel w/ screws (308 x 357.5 x 0)
ALBP1412	Aluminum Back Panel (325 x 274)
APBP1412	PVC Back Panel (325 x 274)
ASPK1412	Swing Panel Kit incl. Panel

**Rating:**

Ingress protection (EN 60529):	IP66; IP67;
Impact Resistance (EN 62262):	IK09;
Electrical insulation:	Not insulated
Halogen free (DIN/VDE 0472, Part 815):	1
UV resistance:	UL 508
Flammability Rating:	UL 508
Glow Wire Test (IEC 695-2-1) °C:	960 °C
NEMA Class	NEMA 4, 4X, 12 and 13

**Certificates:**

ARCA\_CertificateofCompliance