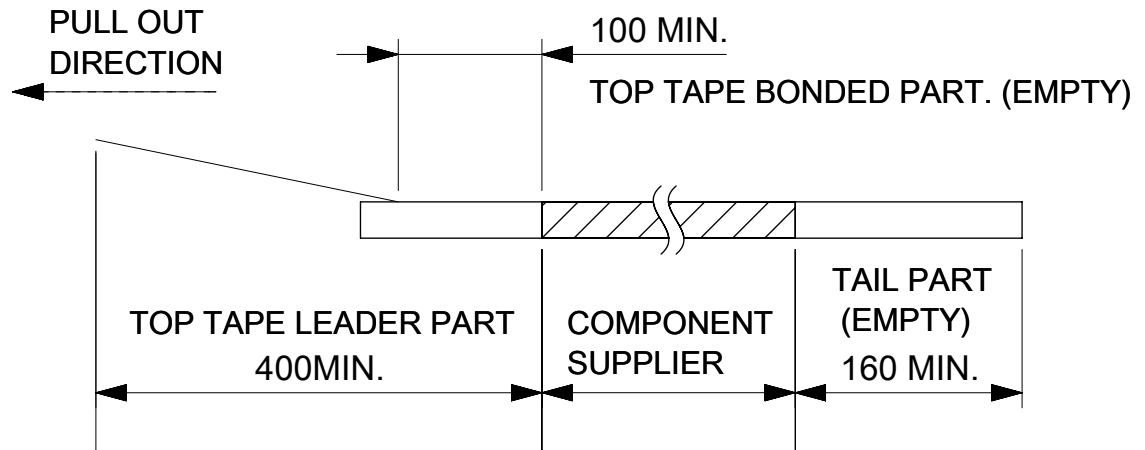
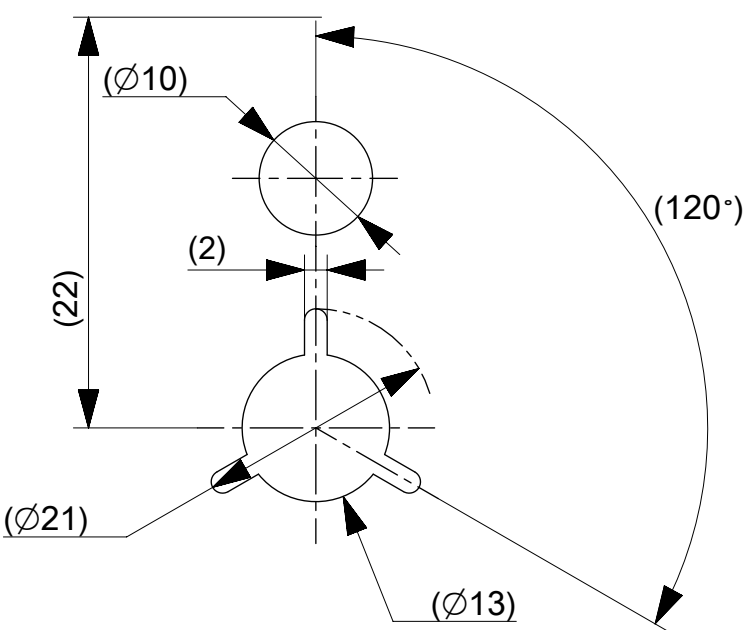


NOTES

- 1. RE DETAILED DIMENSION, SEE PRODUCT DRAWING.
- 2. NUMBER OF CONNECTORS : 20000PCS/REEL
- 3. LEAD TAPE LENGTH.

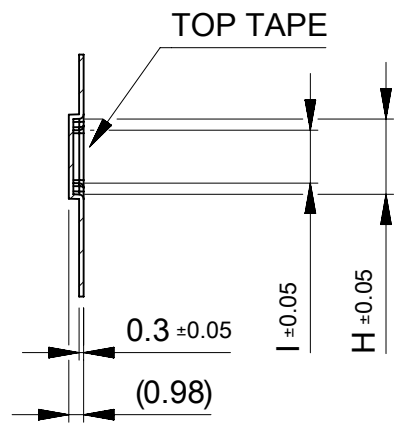


- 4. PEELING OFF FORCE OF THE TOP TAPE IS DEFINED BY IEC60286-3.
- 5. MATERIAL  
 CARRIER TAPE : POLYSTYRENE OR PET  
 TOP TAPE : PET , OTHER  
 REEL : POLYSTYRENE (PS) < RECYCLE MATERIAL CONTAINED >
- 6. ELV AND RoHS COMPLIANT  
 △7 CONFORM TO 2033909200-SPK\_PS200 FOR PACKAGING SPECIFICATION.  
 △8 CONFORM TO 2033909200-SPK\_PS201 FOR PACKAGING SPECIFICATION.

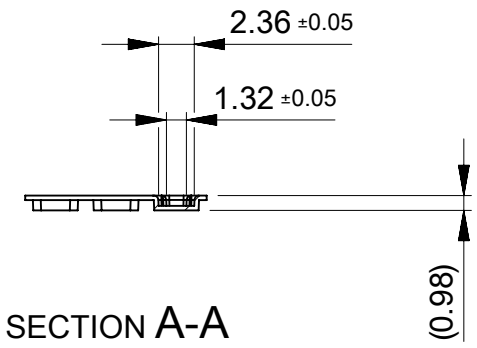
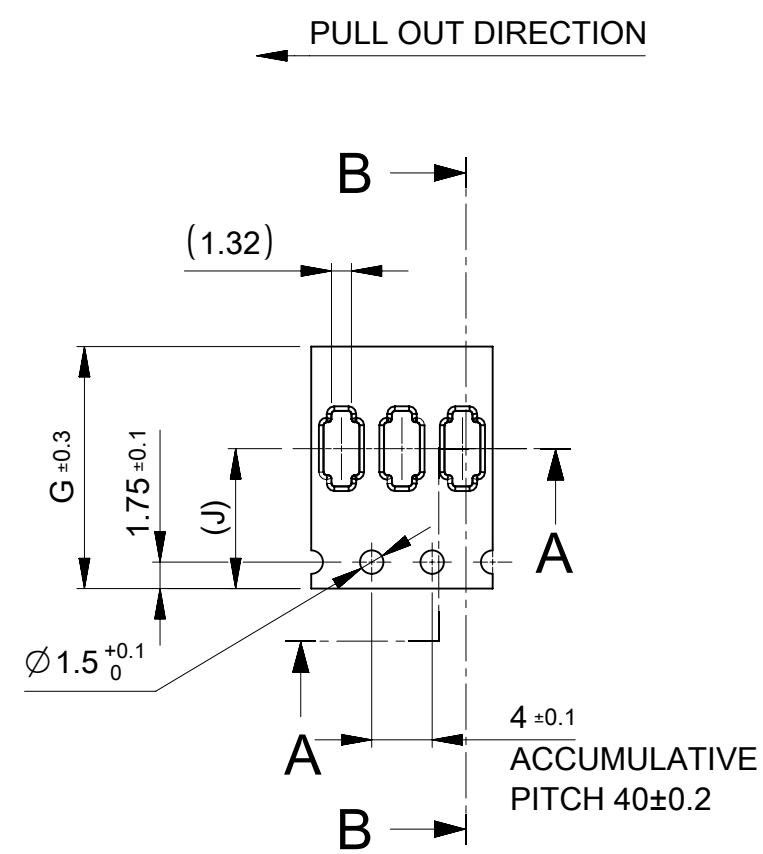


DETAIL "D"

THIS DRAWING CONTAINS INFORMATION THAT IS PROPRIETARY TO MOLEX ELECTRONIC TECHNOLOGIES, LLC AND SHOULD NOT BE USED WITHOUT WRITTEN PERMISSION													
DIMENSION UNITS		SCALE		CURRENT REV DESC:				<b>molex</b>					
mm		1:1											
GENERAL TOLERANCES (UNLESS SPECIFIED)				EC NO: 725424 DRWN: AISHII 2022/10/20 CHK'D: YKOBAYASHI02 2022/10/20 APPR: KSASAKI 2022/10/21 INITIAL REVISION: DRWN: DGONDO 2020/06/25 APPR: YKOBAYASHI02 2020/07/07				0.175BB H=0.6 QUADROW PLUG EMBS PACKAGE					
ANGULAR TOL ± 3.0 °								PRODUCT CUSTOMER DRAWING					
4 PLACES ± 0.03								DOCUMENT NUMBER		DOC TYPE		DOC PART	
3 PLACES ± 0.03								2033900000-SD		PSD		000	
2 PLACES ± 0.05												REVISION	
1 PLACE ± 0.1												E	
0 PLACES ± 0.2													
DRAFT WHERE APPLICABLE MUST REMAIN WITHIN DIMENSIONS				THIRD ANGLE PROJECTION		DRAWING		SERIES					
				A3-SIZE		203390		MATERIAL NUMBER					
						SEE CHART		CUSTOMER					
						GENERAL		SHEET NUMBER					
						1 OF 2							



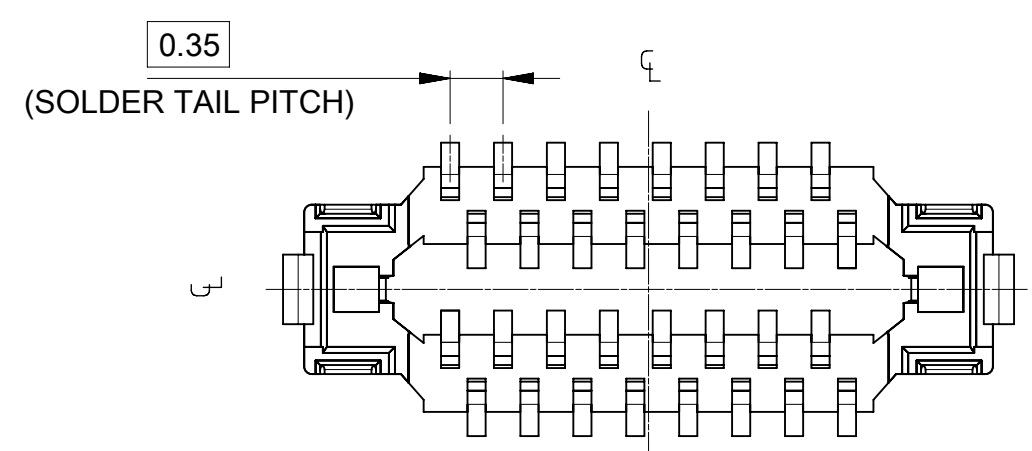
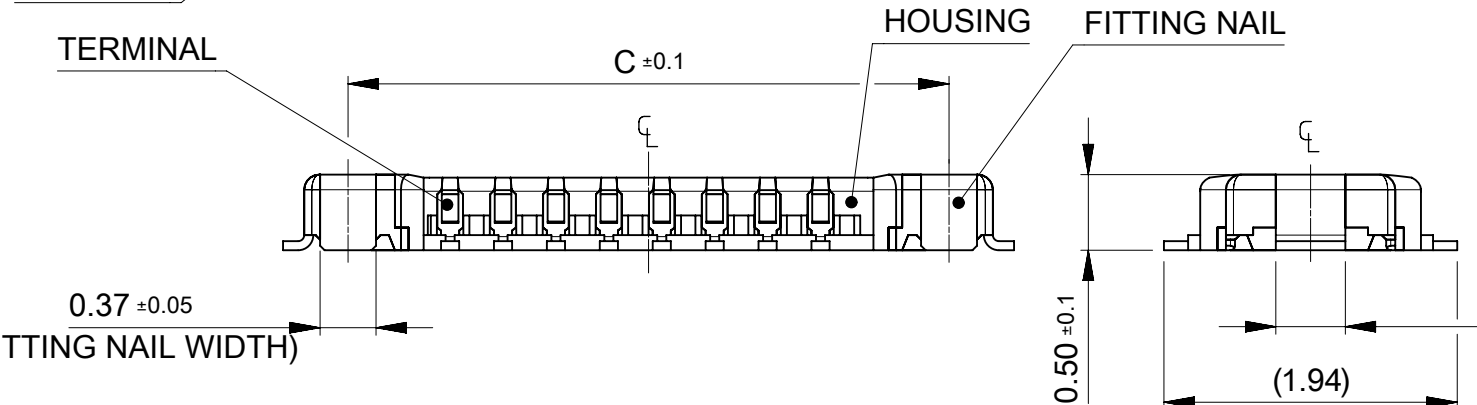
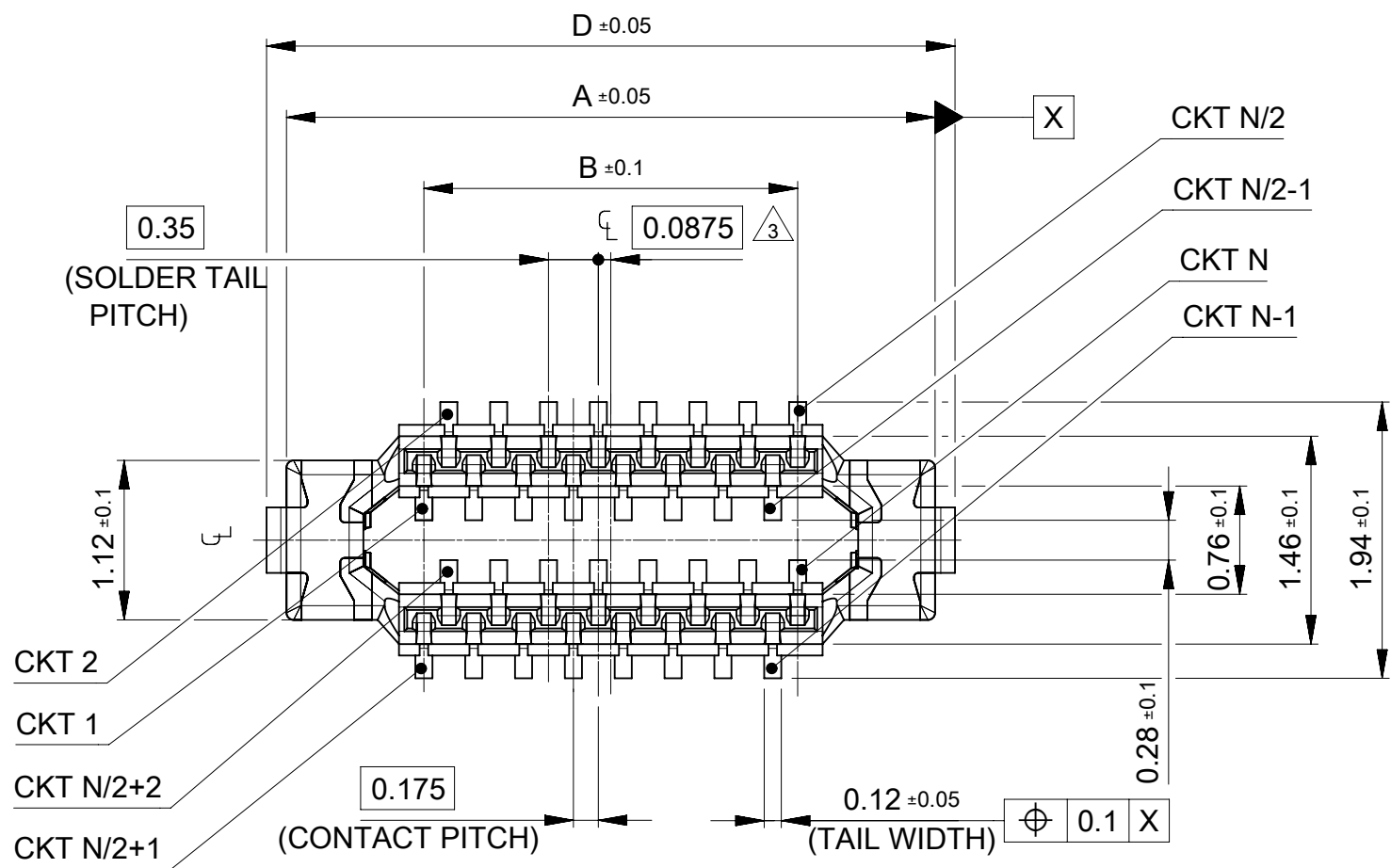
SECTION B-B



SECTION A-A

7.5	3.85	5.325	16	21.4	17.4	2033900363	2033900361	36
7.5	3.5	4.975	16	21.4	17.4	2033900323	2033900321	32
J	I	H	G	F	E	ORDER NO.	ORDER NO.	CIRCUIT
						PACKAGING SPEC: $\triangle_8$	PACKAGING SPEC: $\triangle_7$	
CONNECTOR SERIES No. 2033900***								

THIS DRAWING CONTAINS INFORMATION THAT IS PROPRIETARY TO MOLEX ELECTRONIC TECHNOLOGIES, LLC AND SHOULD NOT BE USED WITHOUT WRITTEN PERMISSION		CURRENT REV DESC:		<b>molex</b>		
DIMENSION UNITS	SCALE	EC NO: 725424				
mm	2:1	DRWN: AISHII 2022/10/20		PRODUCT CUSTOMER DRAWING		
GENERAL TOLERANCES (UNLESS SPECIFIED)		CHK'D: YKOBAYASHI02 2022/10/20				
ANGULAR TOL ± 3.0°		APPR: KSASAKI 2022/10/21		DOCUMENT NUMBER		
4 PLACES ± 0.03		INITIAL REVISION:		2033900000-SD		
3 PLACES ± 0.03		DRWN: DGONDO 2020/06/25		PSD 000 E		
2 PLACES ± 0.05		APPR: YKOBAYASHI02 2020/07/07		SHEET NUMBER		
1 PLACE ± 0.1		THIRD ANGLE PROJECTION		A3-SIZE 203390		
0 PLACES ± 0.2		DRAWING		MATERIAL NUMBER		
DRAFT WHERE APPLICABLE MUST REMAIN WITHIN DIMENSIONS		SERIES		CUSTOMER		
		THIRD ANGLE PROJECTION		SEE CHART GENERAL		



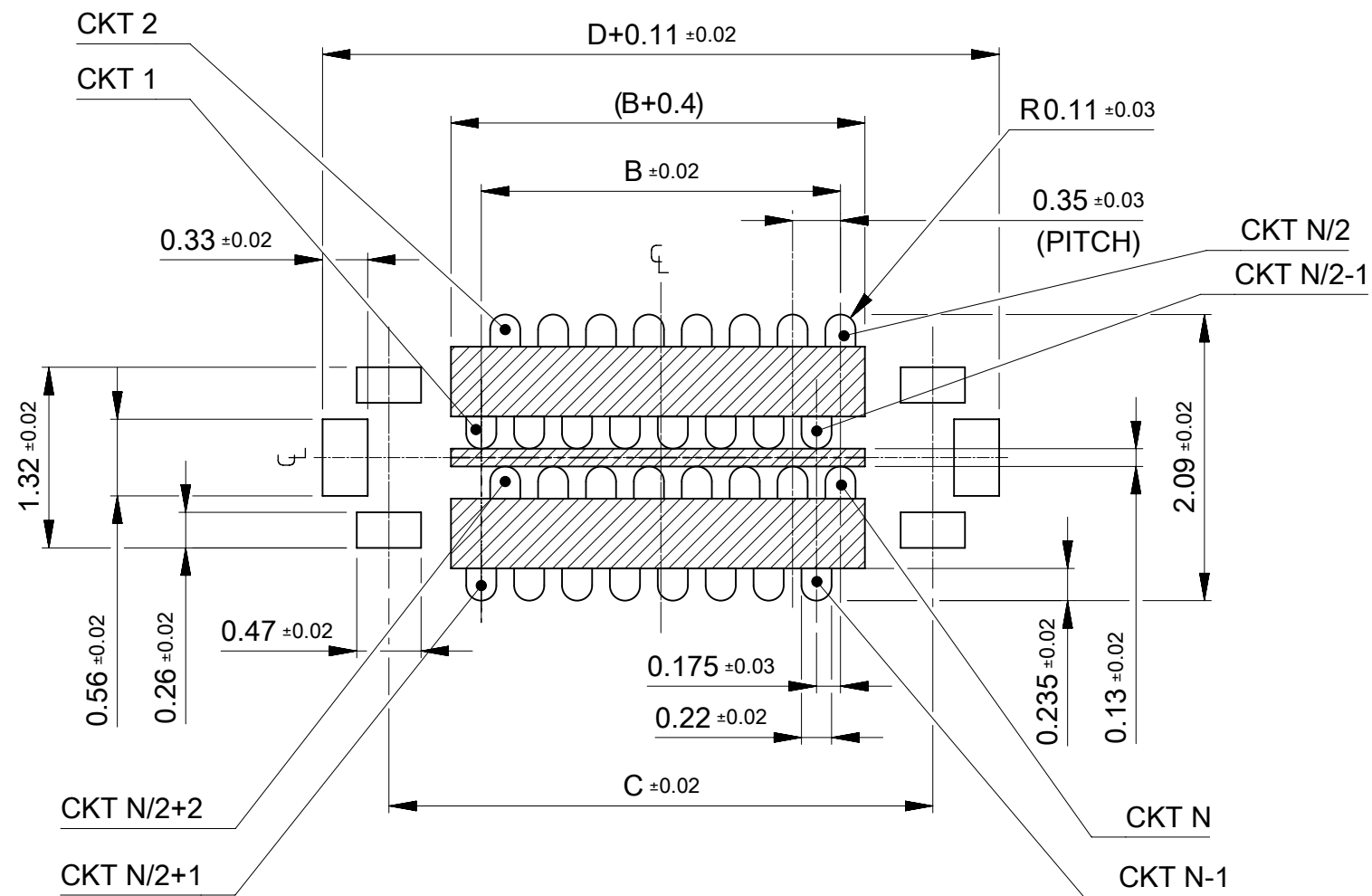
NOTES

- MATERIAL  
HOUSING : LIQUID CRYSTAL POLYMER UL94V-0(COLOR : BLACK)  
TERMINAL : COPPER ALLOY  
FITTING NAIL : COPPER ALLOY
  - PLATING  
TERMINAL  
CONTACT AREA : GOLD 0.1  $\mu$ m MIN.  
TAIL AREA : GOLD 0.05 $\mu$ m MIN.  
UNDER PLATING : NICKEL 1.0 $\mu$ m MIN.  
\*DIVIDE INTO PARTS THE GOLD PLATING OF CONTACT AND THE TAIL PART BY THE NICKEL PLATING.  
\*EITHER GOLD OR NICKEL PLATING IS ACCEPTABLE IN THE AREA WHICH IS NOT SPECIFIED AS CONTACT TAIL OR NICKEL BARRIER.  
FITTING NAIL  
CONTACT AREA : GOLD 0.1  $\mu$ m MIN.  
TAIL AREA : GOLD 0.05 $\mu$ m MIN.  
UNDER PLATING : NICKEL 1.0 $\mu$ m MIN.  
\*DIVIDE INTO PARTS THE GOLD PLATING OF CONTACT AND THE TAIL PART BY THE NICKEL PLATING.  
\*EITHER GOLD OR NICKEL PLATING IS ACCEPTABLE IN THE AREA WHICH IS NOT SPECIFIED AS CONTACT TAIL OR NICKEL BARRIER.
- 3 APPLY FOR (CIRCUIT/4)=EVEN  
4. MATE WITH : 2033890\*\*1, 2033890\*\*3  
5. TAIL AND FITTING NAIL COPLANARITY TO BE 0.08mm MAXIMUM.  
6 CONFORM TO 2033909200-SPK\_PS200 FOR PACKAGING SPECIFICATION.  
7 CONFORM TO 2033909200-SPK\_PS201 FOR PACKAGING SPECIFICATION.

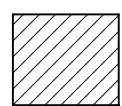
5.185	4.325	2.975	4.905	2033900363	2033900361	36
4.835	3.975	2.625	4.555	2033900323	2033900321	32
D	C	B	A	EMBOSSED TAPE PACKAGE	EMBOSSED TAPE PACKAGE	CIRCUIT
				ORDER No.	ORDER No.	
				PACKAGING SPEC: 7	PACKAGING SPEC: 6	

CONNECTOR SERIES No. : 203390\*\*\*1

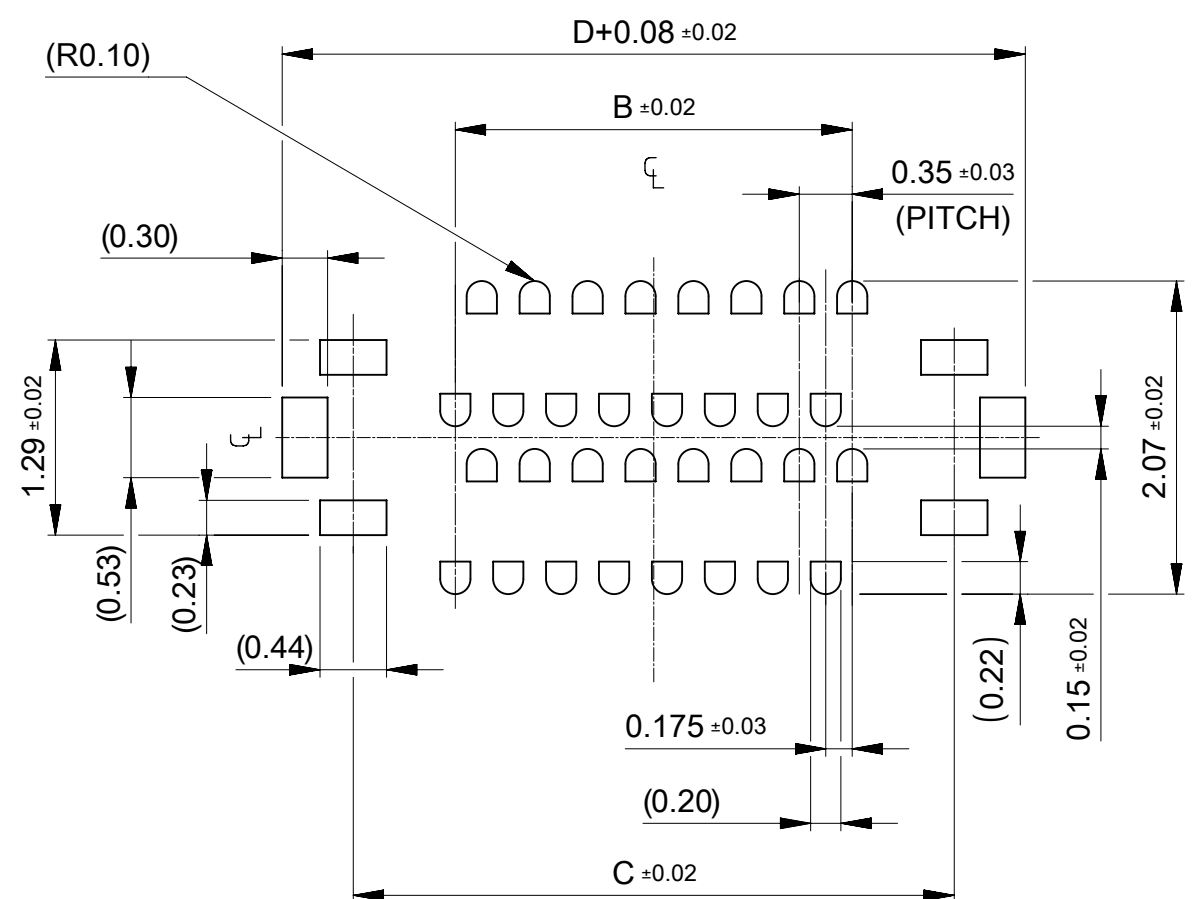
THIS DRAWING CONTAINS INFORMATION THAT IS PROPRIETARY TO MOLEX ELECTRONIC TECHNOLOGIES, LLC AND SHOULD NOT BE USED WITHOUT WRITTEN PERMISSION		CURRENT REV DESC:		<b>molex</b>	
DIMENSION UNITS	SCALE	EC NO: 725424			
mm	20:1	DRWN: AISHII 2022/10/20		0.175 BB H=0.6 QUAD ROW PLUG ASSY	
GENERAL TOLERANCES (UNLESS SPECIFIED)		CHK'D: YKOBAYASHI02 2022/10/20		PRODUCT CUSTOMER DRAWING	
ANGULAR TOL	$\pm 3.0^\circ$	APPR: KSASAKI 2022/10/21		DOCUMENT NUMBER	
4 PLACES	$\pm 0.03$	INITIAL REVISION:		DOC TYPE	
3 PLACES	$\pm 0.03$	DRWN: DGONDO 2020/06/25		DOC PART	
2 PLACES	$\pm 0.05$	APPR: YKOBAYASHI02 2020/07/07		REVISION	
1 PLACE	$\pm 0.1$	MATERIAL NUMBER		2033901000-SD	
0 PLACES	$\pm 0.2$	CUSTOMER		PSD 000 E	
DRAFT WHERE APPLICABLE MUST REMAIN WITHIN DIMENSIONS		THIRD ANGLE PROJECTION	DRAWING	SERIES	SHEET NUMBER
			A3-SIZE	203390	1 OF 2



RECOMMENDED P.W.BOARD PATTERN LAYOUT (REFERENCE)  
(SM OPENING DIMENSION)

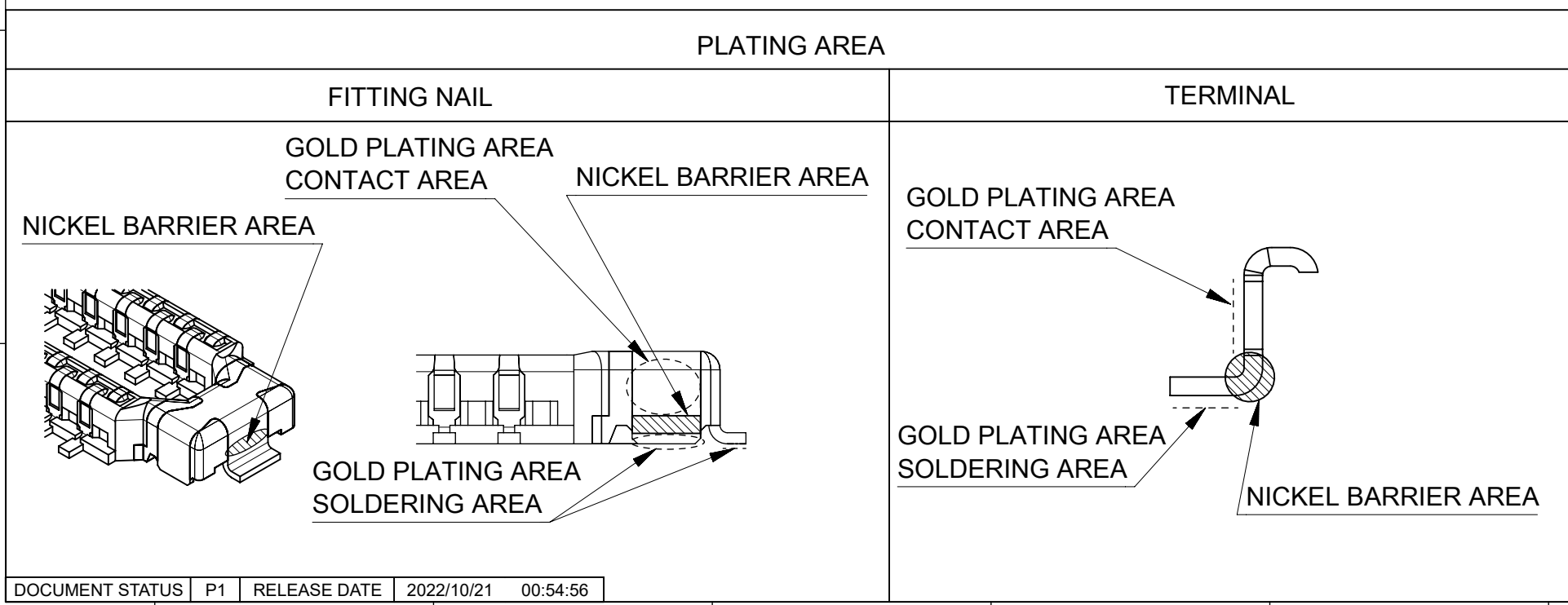


SOLDERING PROHIBITED AREA  
WHEN WIRING IS LOCATED,  
THE WIRING MUST BE MASKED BY COVER LAY OR RESIST FILM.



RECOMMENDED METAL MASK LAYOUT (REFERENCE)

RECOMMENDED THICKNESS OF METAL MASK :  $t=0.08\text{mm}$   
RECOMMENDED OPEN APERTURE RATIO OF METAL MASK : 80%



THIS DRAWING CONTAINS INFORMATION THAT IS PROPRIETARY TO MOLEX ELECTRONIC TECHNOLOGIES, LLC AND SHOULD NOT BE USED WITHOUT WRITTEN PERMISSION		CURRENT REV DESC:		<b>molex</b>	
DIMENSION UNITS	SCALE				
mm	20:1			0.175 BB H=0.6 QUAD ROW PLUG ASSY	
GENERAL TOLERANCES (UNLESS SPECIFIED)				PRODUCT CUSTOMER DRAWING	
ANGULAR TOL	± 3.0 °			DOCUMENT NUMBER	
4 PLACES	± 0.03	EC NO: 725424	2022/10/20	2033901000-SD	
3 PLACES	± 0.03	DRWN: AISHII	2022/10/20	DOC TYPE	DOC PART
2 PLACES	± 0.05	CHK'D: YKOBAYASHI02	2022/10/21	PSD	000
1 PLACE	± 0.1	APPR: KSASAKI	2022/10/21	REVISION	E
0 PLACES	± 0.2	INITIAL REVISION:		SHEET NUMBER	
DRAFT WHERE APPLICABLE MUST REMAIN WITHIN DIMENSIONS		DRWN: DGONDO	2020/06/25	2 OF 2	
THIRD ANGLE PROJECTION		APPR: YKOBAYASHI02	2020/07/07	MATERIAL NUMBER	
DRAWING		SERIES		CUSTOMER	
A3-SIZE		203390		SEE CHART	
				GENERAL	