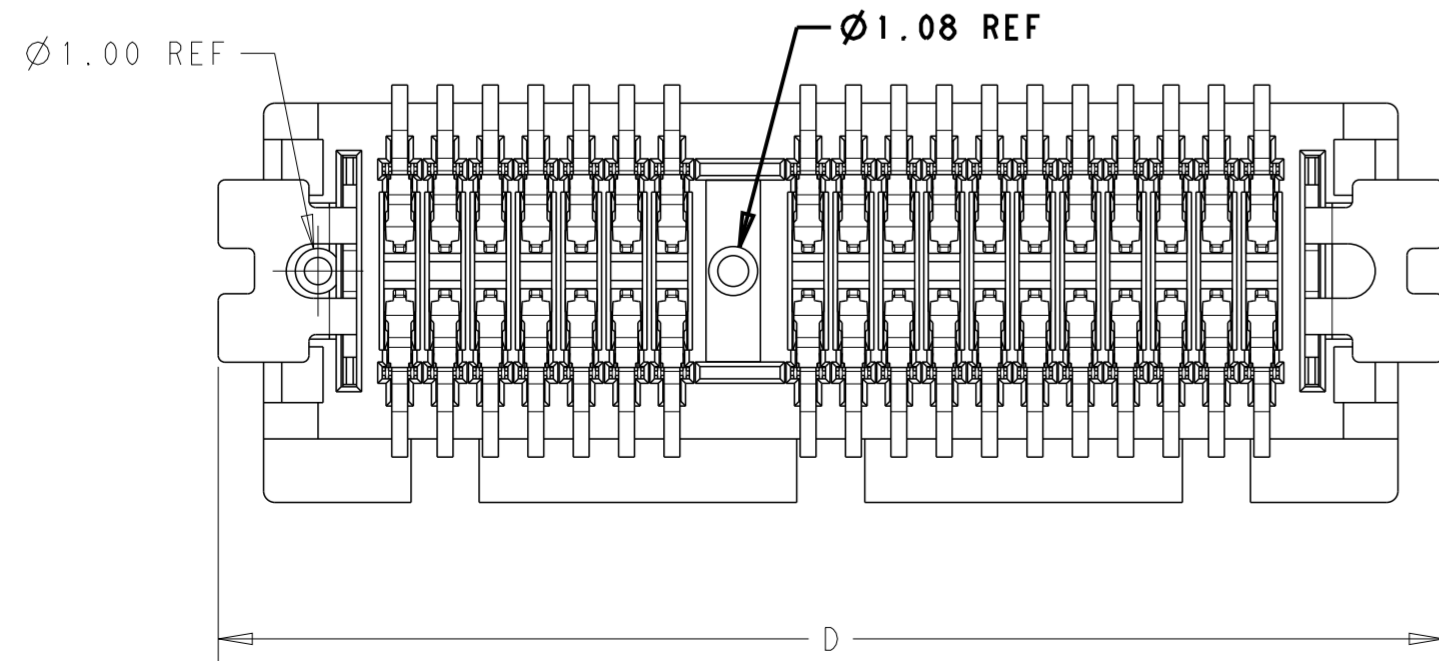
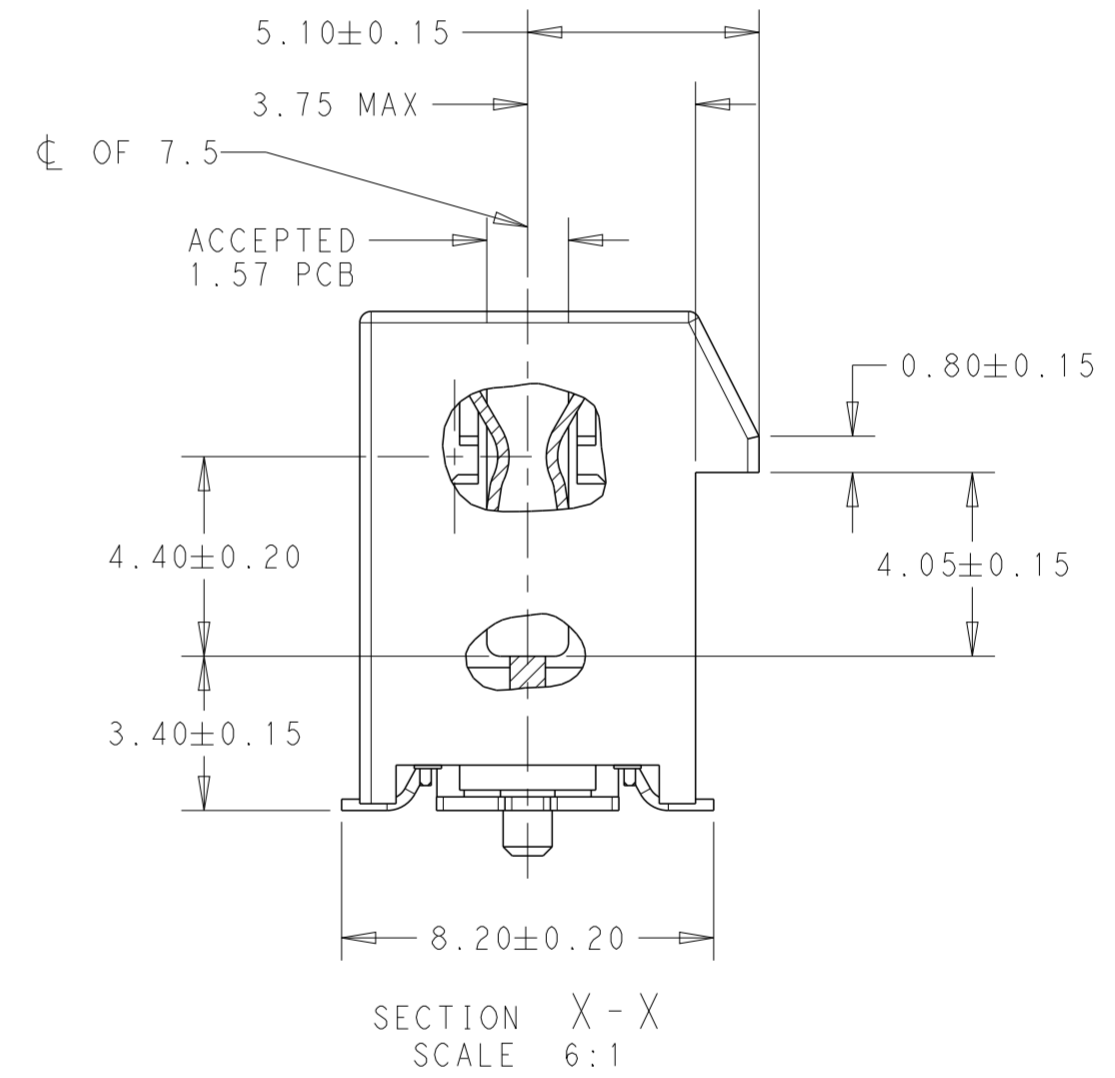
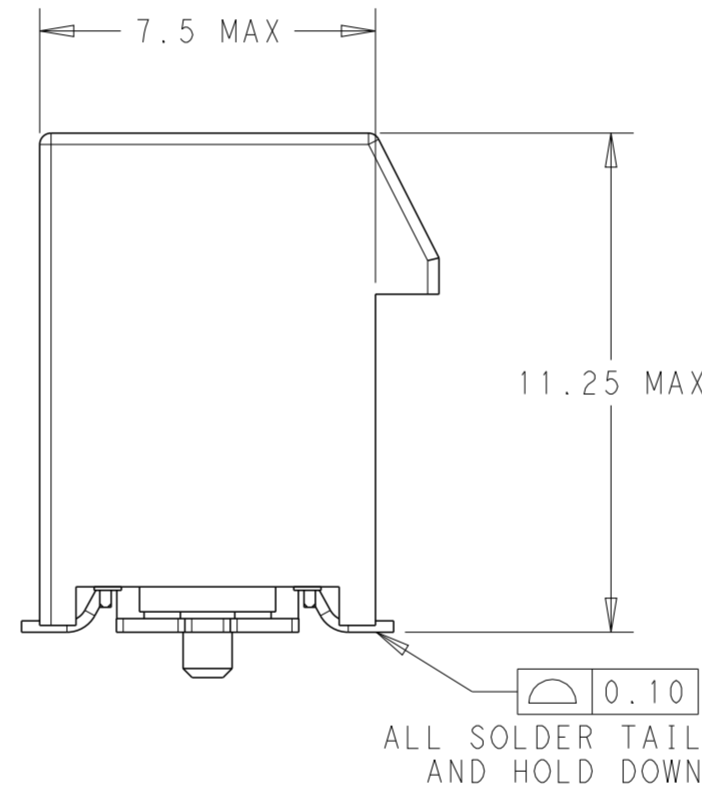
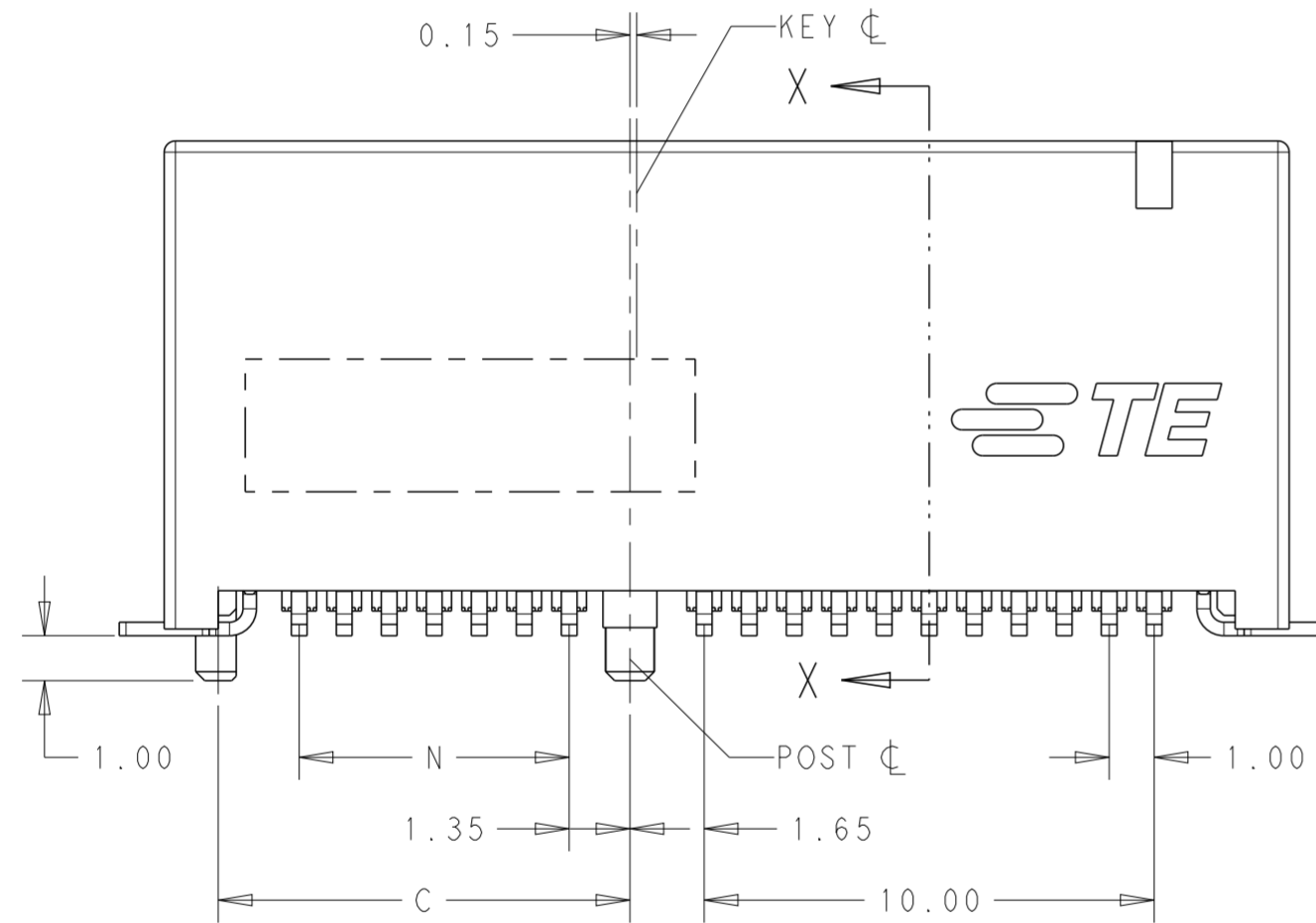
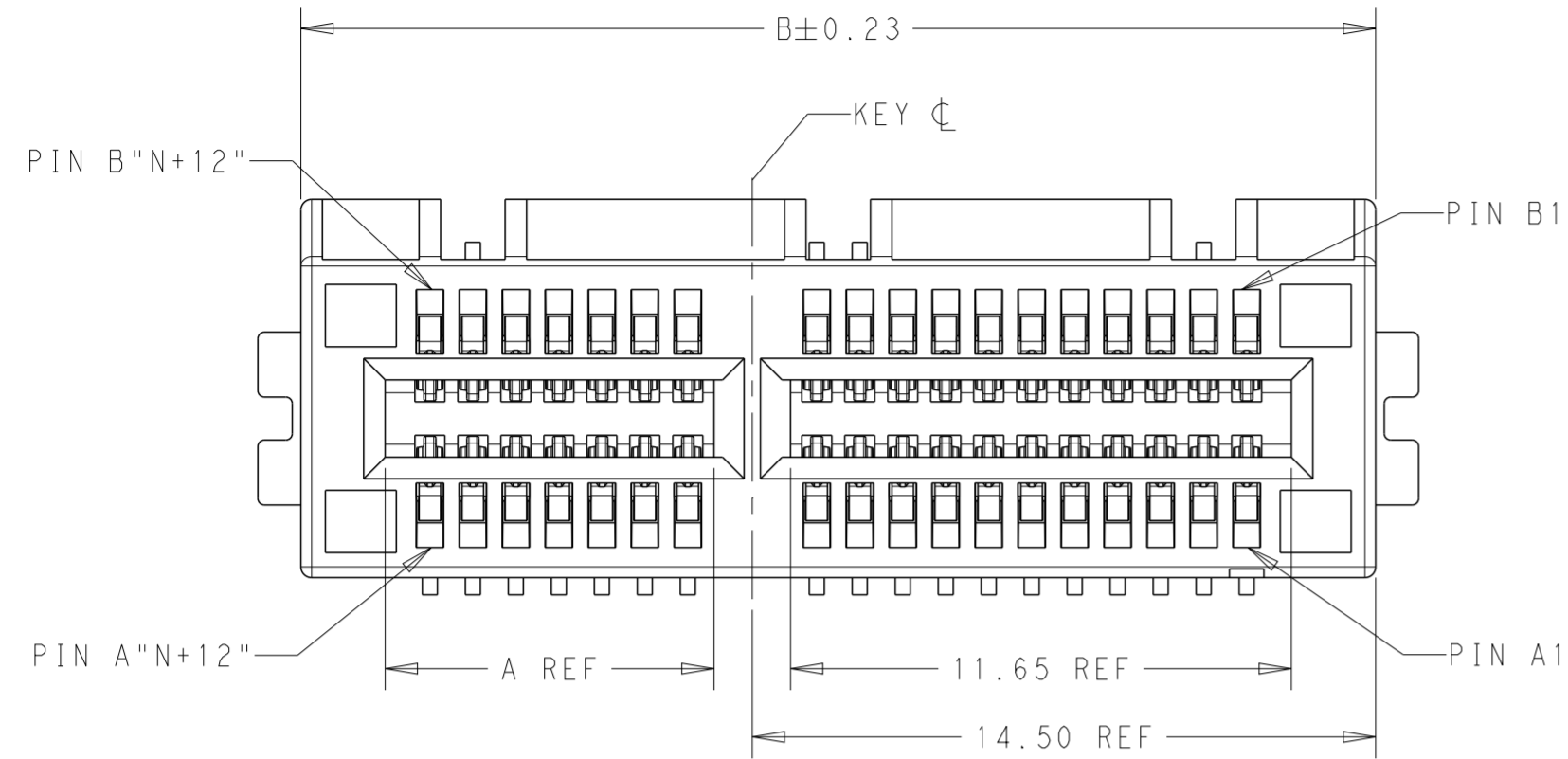


THIS DRAWING IS UNPUBLISHED. RELEASED FOR PUBLICATION 20
 © COPYRIGHT 20 BY - ALL RIGHTS RESERVED.

REVISIONS				
P	LTR	DESCRIPTION	DATE	APVD
F		ECR-21-119335	25JUN2022	TL HL

NOTES:

- 1 MATERIAL:
HOUSING: LCP UL94V-0; BLACK
CONTACT: COPPER ALLOY
HOLD DOWN: BRASS
- 2 FINISH:
(SEE TABLE)um GOLD PLATING ON CONTACT AREA.
2.54um MATTE-TIN PLATING ON SOLDER TAIL AREA.
1.27um NICKEL UNDERPLATING OVERALL.
- 3 PARTS WITH POS 36 ARE NOT TOOLED




THIS DRAWING IS A CONTROLLED DOCUMENT.		DWN FRED LIU 12JUN2018	TE Connectivity	
DIMENSIONS: mm		CHK HOPE LU 12JUN2018		
TOLERANCES UNLESS OTHERWISE SPECIFIED:		APVD HOPE LU 12JUN2018	NAME PCI EXPRESS CARD EDGE CONNECTOR	
0 PLC \pm		PRODUCT SPEC	GEN4, STANDARD VERSION	
1 PLC ± 0.3		APPLICATION SPEC	SIZE	RESTRICTED TO
2 PLC ± 0.20		WEIGHT	CAGE CODE	DRAWING NO
3 PLC ± 0.050		CUSTOMER DRAWING	A200779	C-2337939
4 PLC \pm		SCALE	3:1	SHEET 1 OF 6
ANGLES \pm		REV	F	
FINISH				

THIS DRAWING IS UNPUBLISHED. RELEASED FOR PUBLICATION 20
 © COPYRIGHT 20 BY - ALL RIGHTS RESERVED.

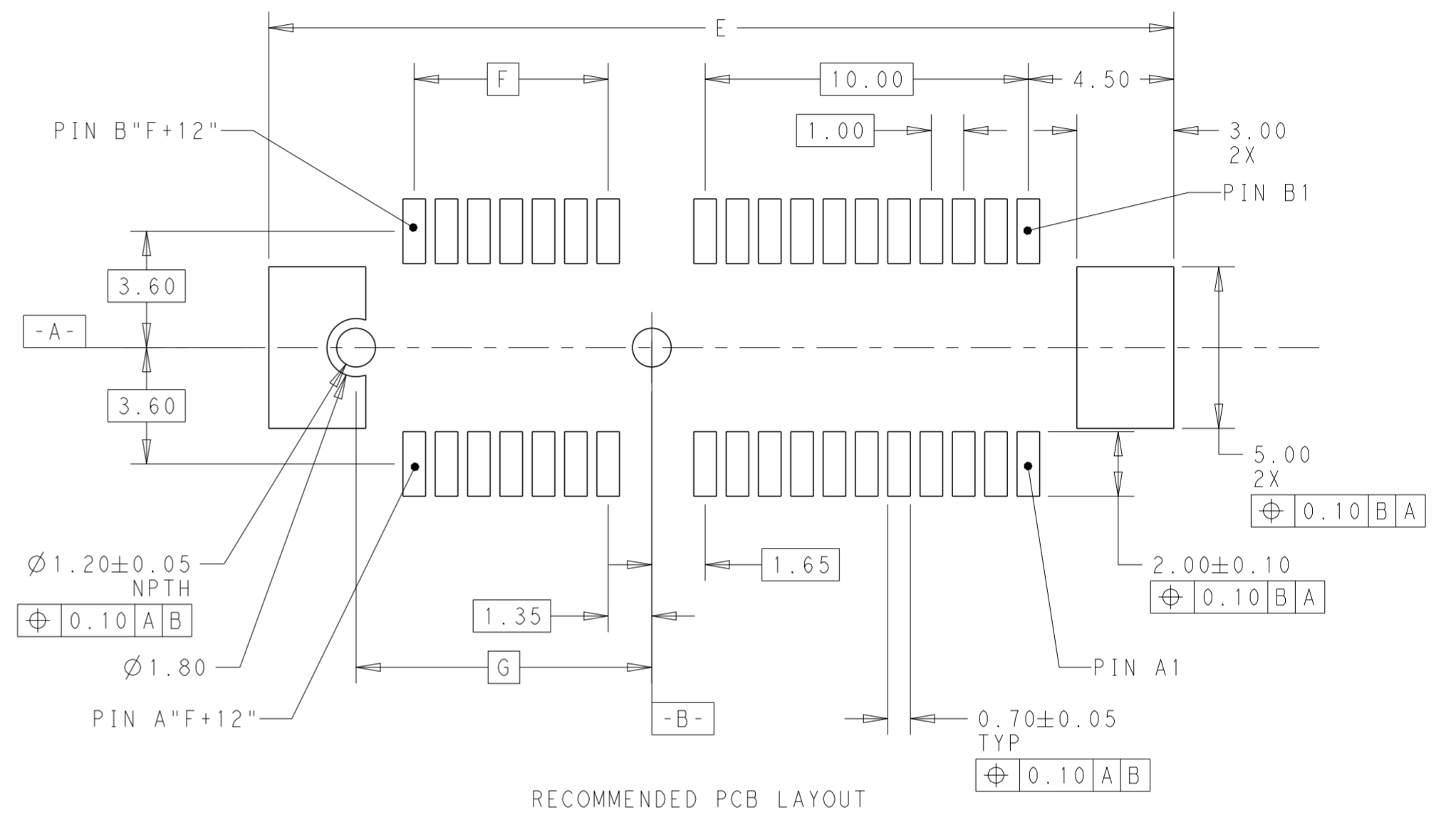
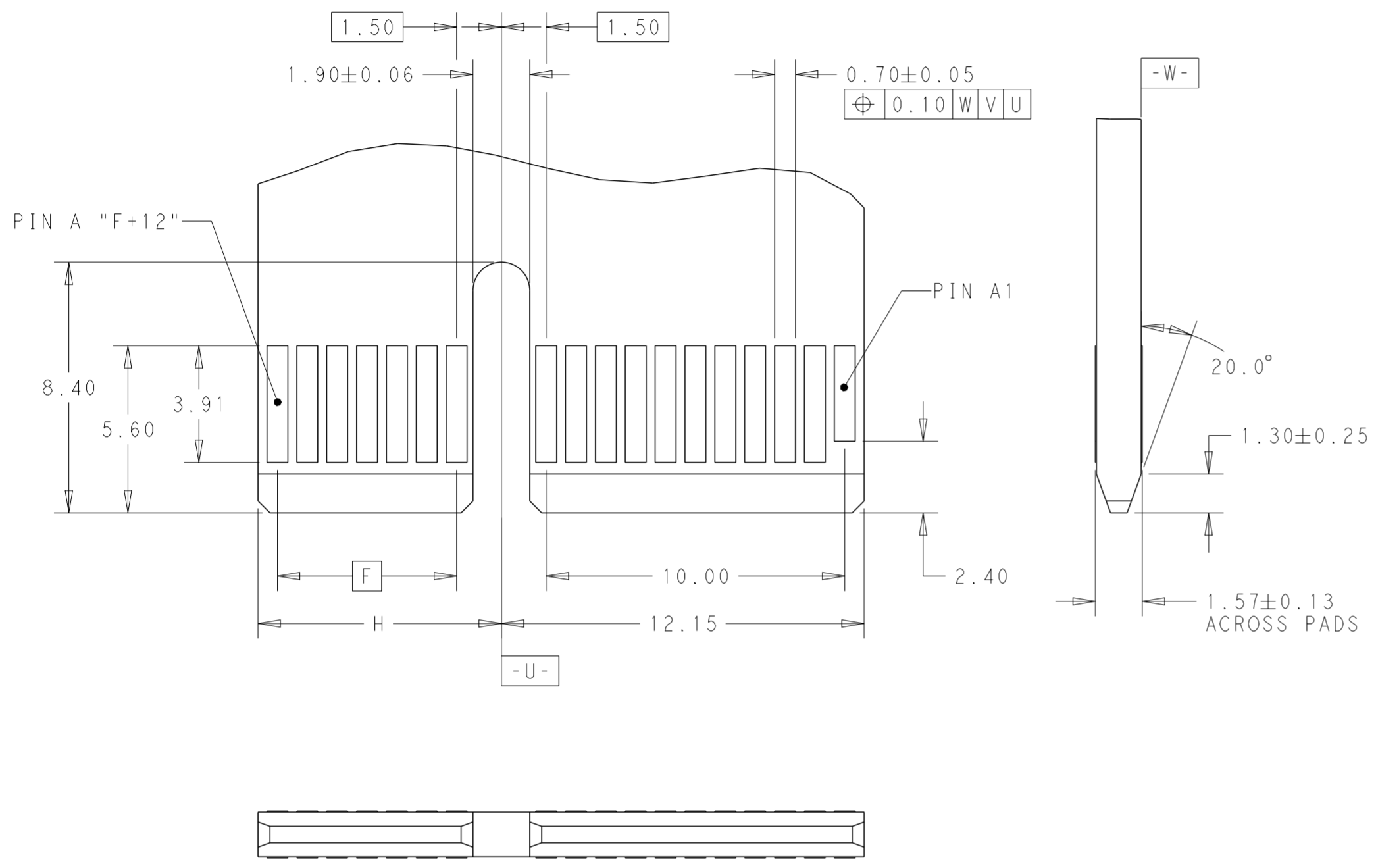
REVISIONS					
P	LTR	DESCRIPTION	DATE	DWN	APVD
-	-	SEE SHEET 1	-	-	-

PACKAGE	PRODUCT SPEC	GOLD PLATING	W	V	J	D	N	C	B	A	POS.	PART NUMBER
PACKAGE 2	108-60121	30u"	45.0	8.0	44.5	91	70	73.15	89	71.65	164	7-2337939-4
PACKAGE 1		30u"	86.5		44.5	91	70	73.15	89	71.65	164	5-2337939-8
PACKAGE 4		30u"	53.5		28	58	37	40.15	56	38.65	98	5-2337939-7
PACKAGE 3		30u"	36.5		19.5	41	20	23.15	39	21.65	64	5-2337939-6
NA		30u"	22.5		12.5	27	6	9.15	25	7.65	36	5-2337939-5
PACKAGE 1		30u"	10.0		44.5	91	70	73.15	89	71.65	164	5-2337939-4
PACKAGE 4		30u"	10.0		28	58	37	40.15	56	38.65	98	5-2337939-3
PACKAGE 3		30u"	10.0		19.5	41	20	23.15	39	21.65	64	5-2337939-2
NA		30u"	10.0		12.5	27	6	9.15	25	7.65	36	5-2337939-1
PACKAGE 1		108-60121-1	15u"		86.5	44.5	91	70	73.15	89	71.65	164
PACKAGE 4	15u"		53.5	28	58	37	40.15	56	38.65	98	4-2337939-7	
PACKAGE 3	15u"		36.5	19.5	41	20	23.15	39	21.65	64	4-2337939-6	
NA	15u"		22.5	12.5	27	6	9.15	25	7.65	36	4-2337939-5	
PACKAGE 1	15u"		10.0	44.5	91	70	73.15	89	71.65	164	4-2337939-4	
PACKAGE 4	15u"		10.0	28	58	37	40.15	56	38.65	98	4-2337939-3	
PACKAGE 3	15u"		10.0	19.5	41	20	23.15	39	21.65	64	4-2337939-2	
NA	15u"		10.0	12.5	27	6	9.15	25	7.65	36	4-2337939-1	
PACKAGE 1	G/F		86.5	44.5	91	70	73.15	89	71.65	164	3-2337939-8	
PACKAGE 4	G/F		53.5	28	58	37	40.15	56	38.65	98	3-2337939-7	
PACKAGE 3	G/F	36.5	19.5	41	20	23.15	39	21.65	64	3-2337939-6		
NA	G/F	22.5	12.5	27	6	9.15	25	7.65	36	3-2337939-5		
PACKAGE 1	G/F	10.0	44.5	91	70	73.15	89	71.65	164	3-2337939-4		
PACKAGE 4	G/F	10.0	28	58	37	40.15	56	38.65	98	3-2337939-3		
PACKAGE 3	G/F	10.0	19.5	41	20	23.15	39	21.65	64	3-2337939-2		
NA	G/F	10.0	12.5	27	6	9.15	25	7.65	36	3-2337939-1		
PACKAGE 2	108-60121	30u"	NA	44.5	91	70	73.15	89	71.65	164	2-2337939-5	
PACKAGE 1		30u"	NA	44.5	91	70	73.15	89	71.65	164	2-2337939-4	
PACKAGE 4		30u"	NA	28	58	37	40.15	56	38.65	98	2-2337939-3	
PACKAGE 3		30u"	NA	19.5	41	20	23.15	39	21.65	64	2-2337939-2	
NA	30u"	NA	12.5	27	6	9.15	25	7.65	36	2-2337939-1		
PACKAGE 1	108-60121-1	15u"	NA	44.5	91	70	73.15	89	71.65	164	6-2337939-4	
PACKAGE 4		15u"	NA	28	58	37	40.15	56	38.65	98	6-2337939-3	
PACKAGE 3		15u"	NA	19.5	41	20	23.15	39	21.65	64	6-2337939-2	
NA		15u"	NA	12.5	27	6	9.15	25	7.65	36	6-2337939-1	
PACKAGE 1		G/F	NA	44.5	91	70	73.15	89	71.65	164	2337939-4	
PACKAGE 4		G/F	NA	28	58	37	40.15	56	38.65	98	2337939-3	
PACKAGE 3		G/F	NA	19.5	41	20	23.15	39	21.65	64	2337939-2	
NA	G/F	NA	12.5	27	6	9.15	25	7.65	36	2337939-1		
PACKING SPEC	PRODUCT SPEC	GOLD PLATING	W	V	J	D	N	C	B	A	POS.	PART NUMBER
			MYLAR SIZE (PAGE 4)									

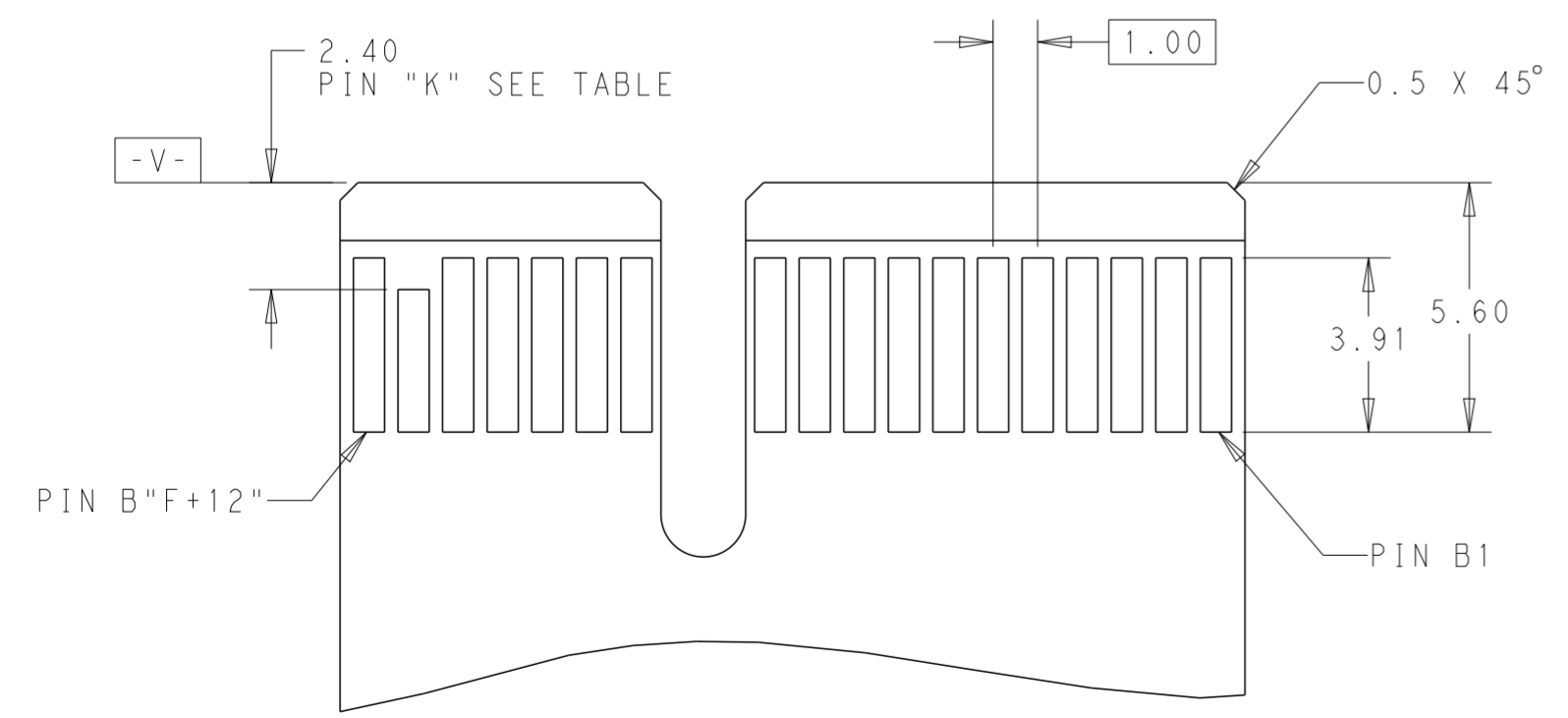
THIS DRAWING IS A CONTROLLED DOCUMENT.		DWN FRED LIU 12JUN2018	 TE Connectivity	
DIMENSIONS: mm		CHK HOPE LU 12JUN2018		
TOLERANCES UNLESS OTHERWISE SPECIFIED:		APVD HOPE LU 12JUN2018	NAME PCI EXPRESS CARD EDGE CONNECTOR	
0 PLC ± 1 PLC ±0.3 2 PLC ±0.20 3 PLC ±0.050 4 PLC ± ANGLES ± FINISH		PRODUCT SPEC -	GEN4 , STANDARD VERSION	
MATERIAL -		APPLICATION SPEC -	SIZE A2	CAGE CODE 00779
		WEIGHT -	DRAWING NO C-2337939	RESTRICTED TO -
		CUSTOMER DRAWING	SCALE 3:1	SHEET 2 OF 6
			REV F	

THIS DRAWING IS UNPUBLISHED. RELEASED FOR PUBLICATION 20
 © COPYRIGHT 20 BY - ALL RIGHTS RESERVED.

REVISIONS					
P	LTR	DESCRIPTION	DATE	DWN	APVD
-	-	SEE SHEET 1	-	-	-



RECOMMENDED PCB LAYOUT



ADD-IN CARD EDGE-FINGER DIMENSION

164	92.00	70	73.15	72.15	A1,B17,B31,B48,B81
98	59.00	37	40.15	39.15	A1,B17,B31,B48
64	42.00	20	23.15	22.15	A1,B17,B31
36	28.00	6	9.15	8.15	A1,B17
POS.	DIM. E	DIM. F	DIM. G	DIM. H	"K"

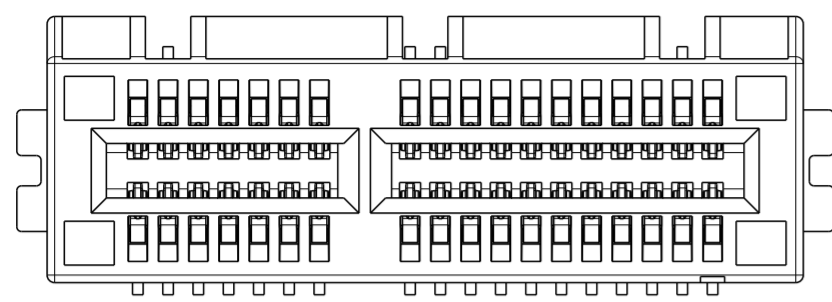
THIS DRAWING IS A CONTROLLED DOCUMENT.

DWN FRED LIU 12JUN2018	 TE Connectivity	NAME PCI EXPRESS CARD EDGE CONNECTOR GEN4, STANDARD VERSION
CHK HOPE LU 12JUN2018		
APVD HOPE LU 12JUN2018		
PRODUCT SPEC		
MATERIAL	SIZE A200779	CAGE CODE C-2337939
DIMENSIONS: mm	SCALE 3:1	DRAWING NO.
TOLERANCES UNLESS OTHERWISE SPECIFIED:	RESTRICTED TO	REV F
0 PLC ±	CUSTOMER DRAWING	SHEET 3 OF 6
1 PLC ±0.3		
2 PLC ±0.20		
3 PLC ±0.050		
4 PLC ±		
ANGLES ±		
FINISH		

THIS DRAWING IS UNPUBLISHED. RELEASED FOR PUBLICATION 20
 © COPYRIGHT 20 BY - ALL RIGHTS RESERVED.

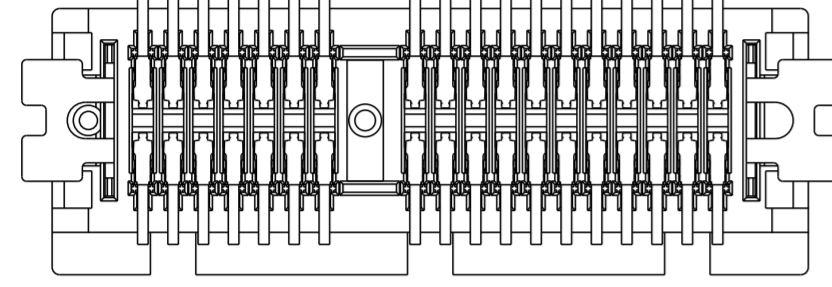
REVISIONS					
P	LTR	DESCRIPTION	DATE	DWN	APVD
-	-	SEE SHEET 1	-	-	-

FRONT VIEW

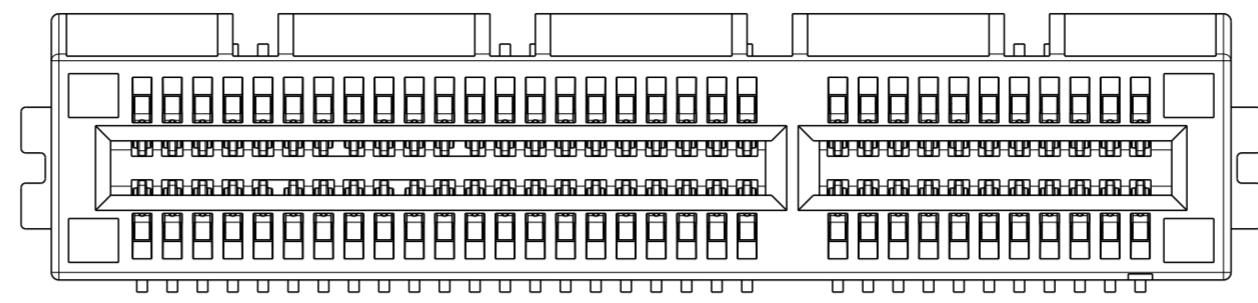


36POS AS SHOWN

REAR VIEW

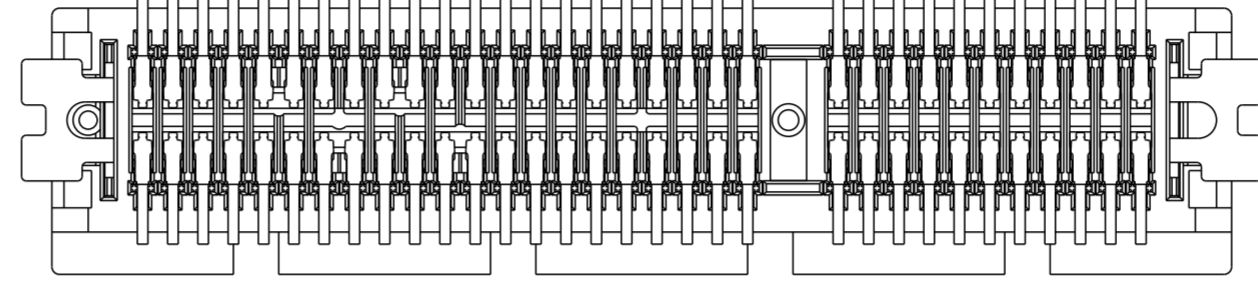


FRONT VIEW

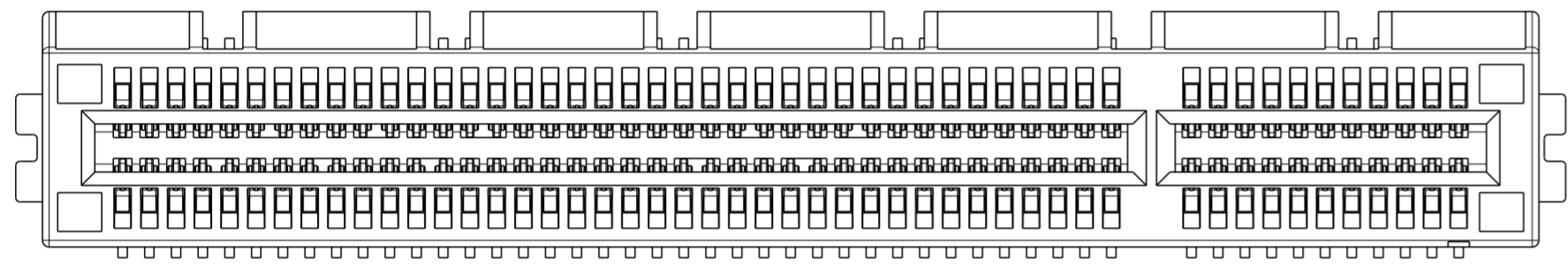


64POS AS SHOWN

REAR VIEW

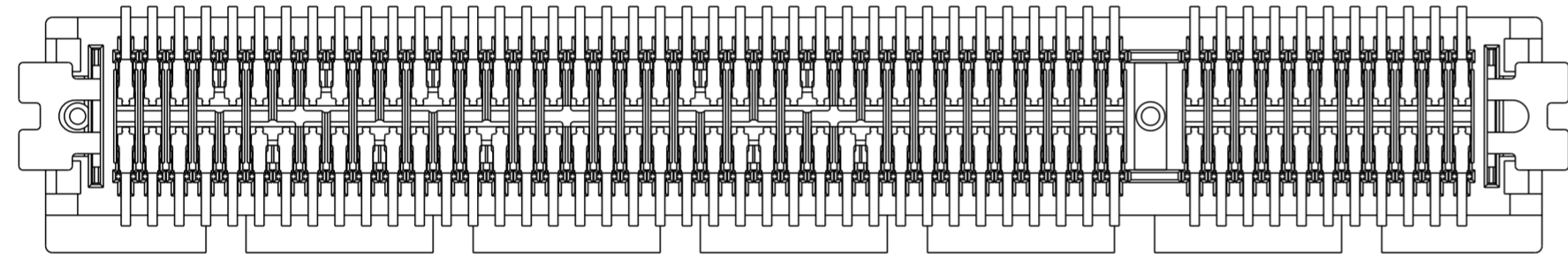


FRONT VIEW

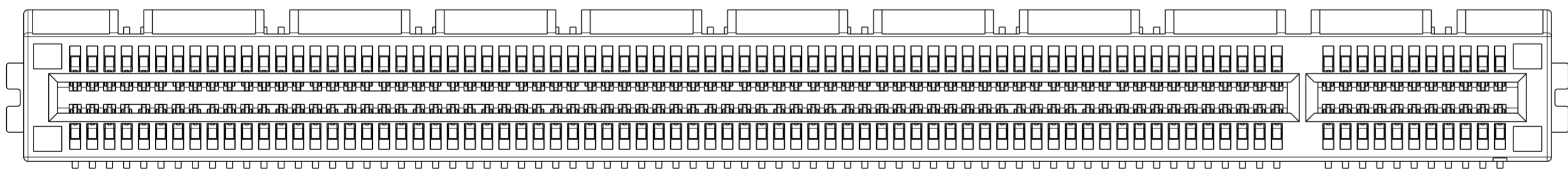


98POS AS SHOWN

REAR VIEW

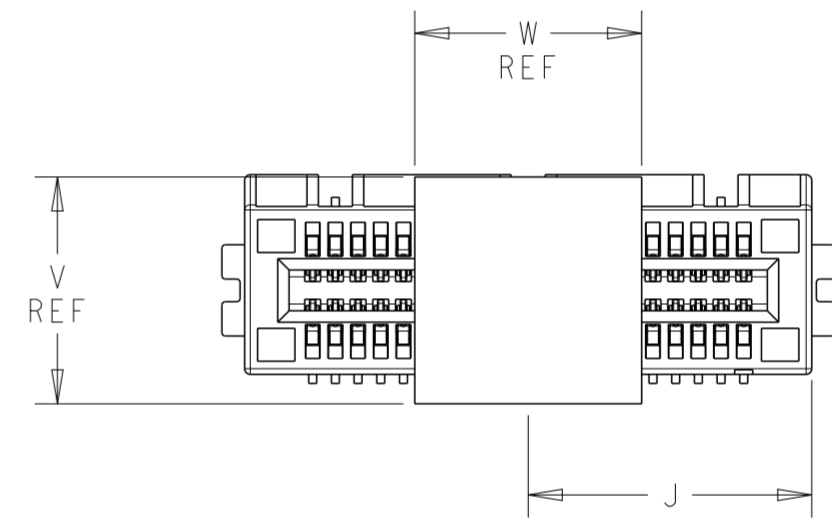
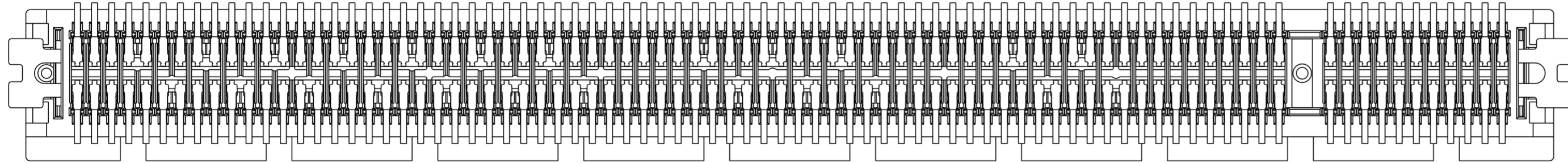


FRONT VIEW




164POS AS SHOWN

REAR VIEW

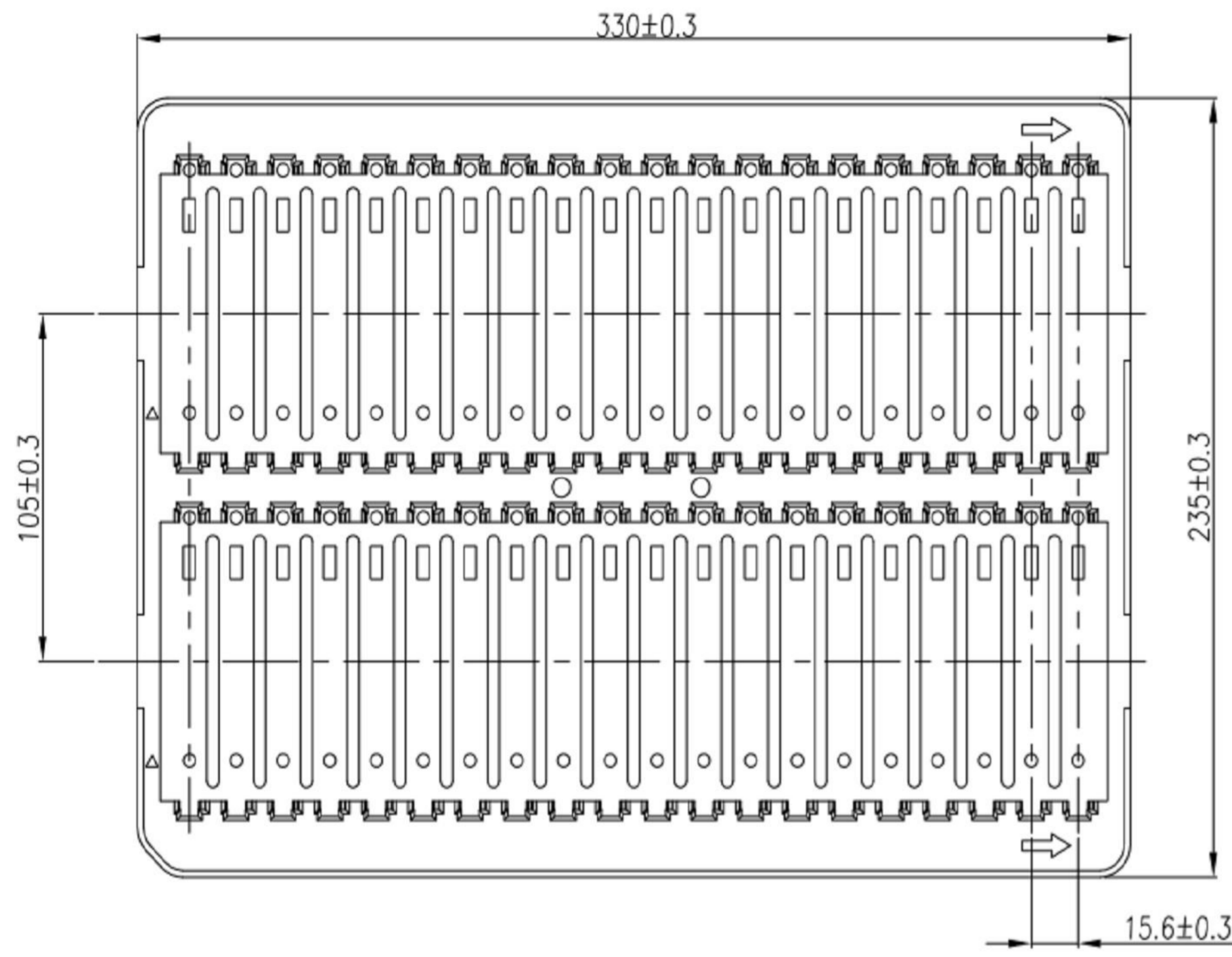


MYLAR SIZE

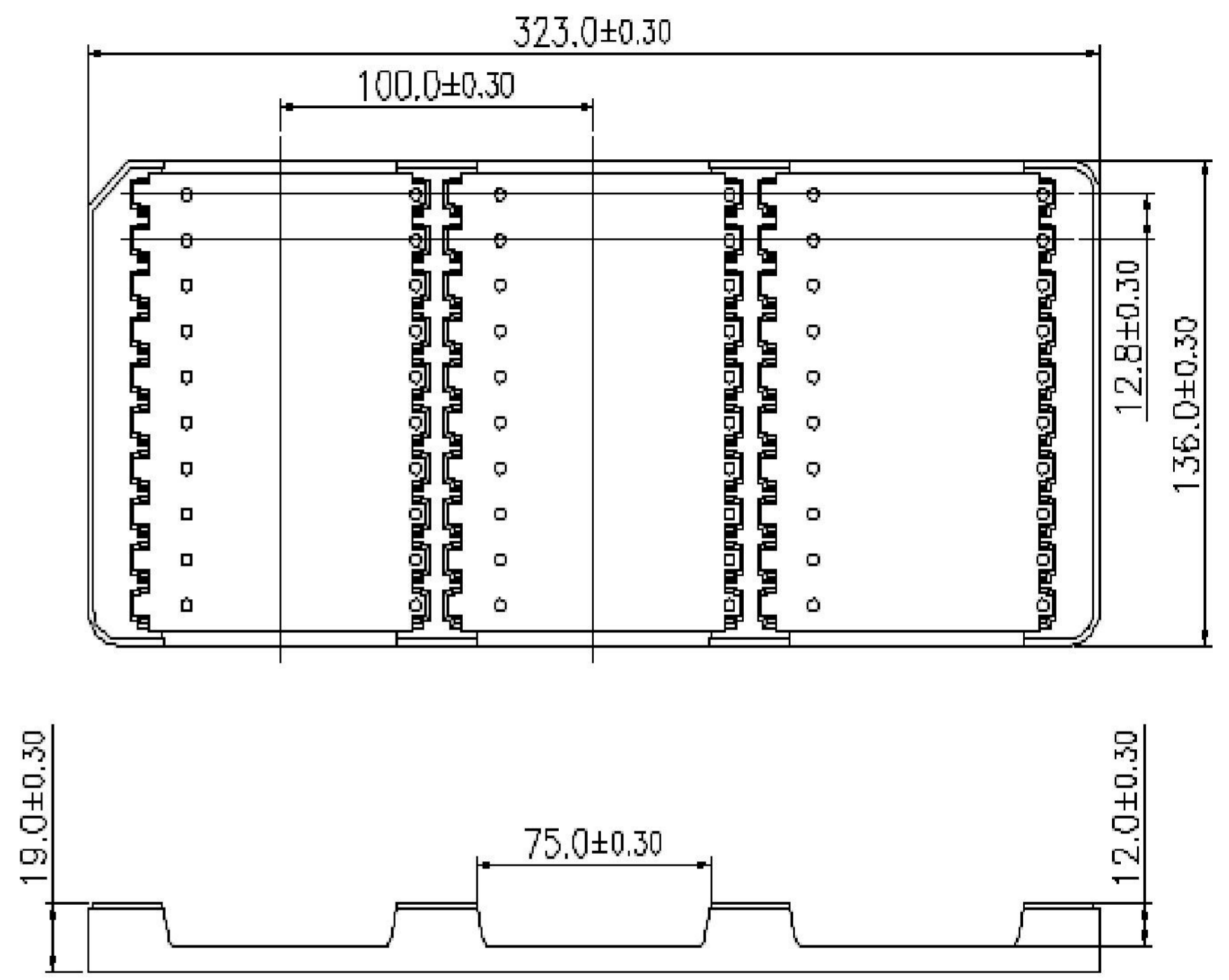
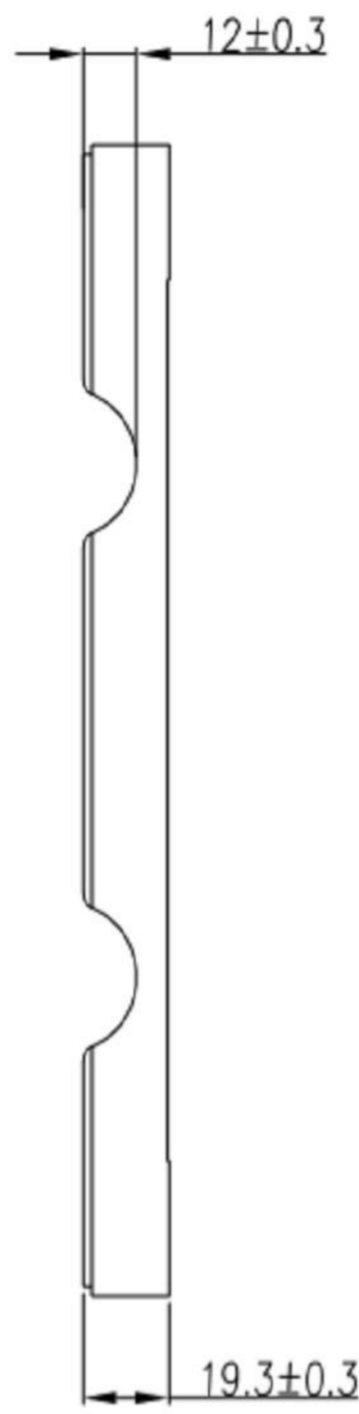
THIS DRAWING IS A CONTROLLED DOCUMENT.		DWN FRED LIU 12 JUN 2018	 TE Connectivity	NAME PCI EXPRESS CARD EDGE CONNECTOR		
DIMENSIONS: mm		CHK HOPE LU 12 JUN 2018		GEN4 , STANDARD VERSION		
TOLERANCES UNLESS OTHERWISE SPECIFIED: 0 PLC ±0.3 1 PLC ±0.20 2 PLC ±0.20 3 PLC ±0.050 4 PLC ± ANGLES ± FINISH		APVD HOPE LU 12 JUN 2018		SIZE A2	CAGE CODE 00779	DRAWING NO C-2337939
MATERIAL -		PRODUCT SPEC -		RESTRICTED TO -	SCALE 3:1	SHEET 4 OF 6
		APPLICATION SPEC -	WEIGHT -	REV F		
		CUSTOMER DRAWING				

THIS DRAWING IS UNPUBLISHED. RELEASED FOR PUBLICATION 20
 © COPYRIGHT 20 BY - ALL RIGHTS RESERVED.


REVISIONS				
P	LTR	DESCRIPTION	DATE	APVD
-	-	SEE SHEET 1	-	-



PACKAGE 1

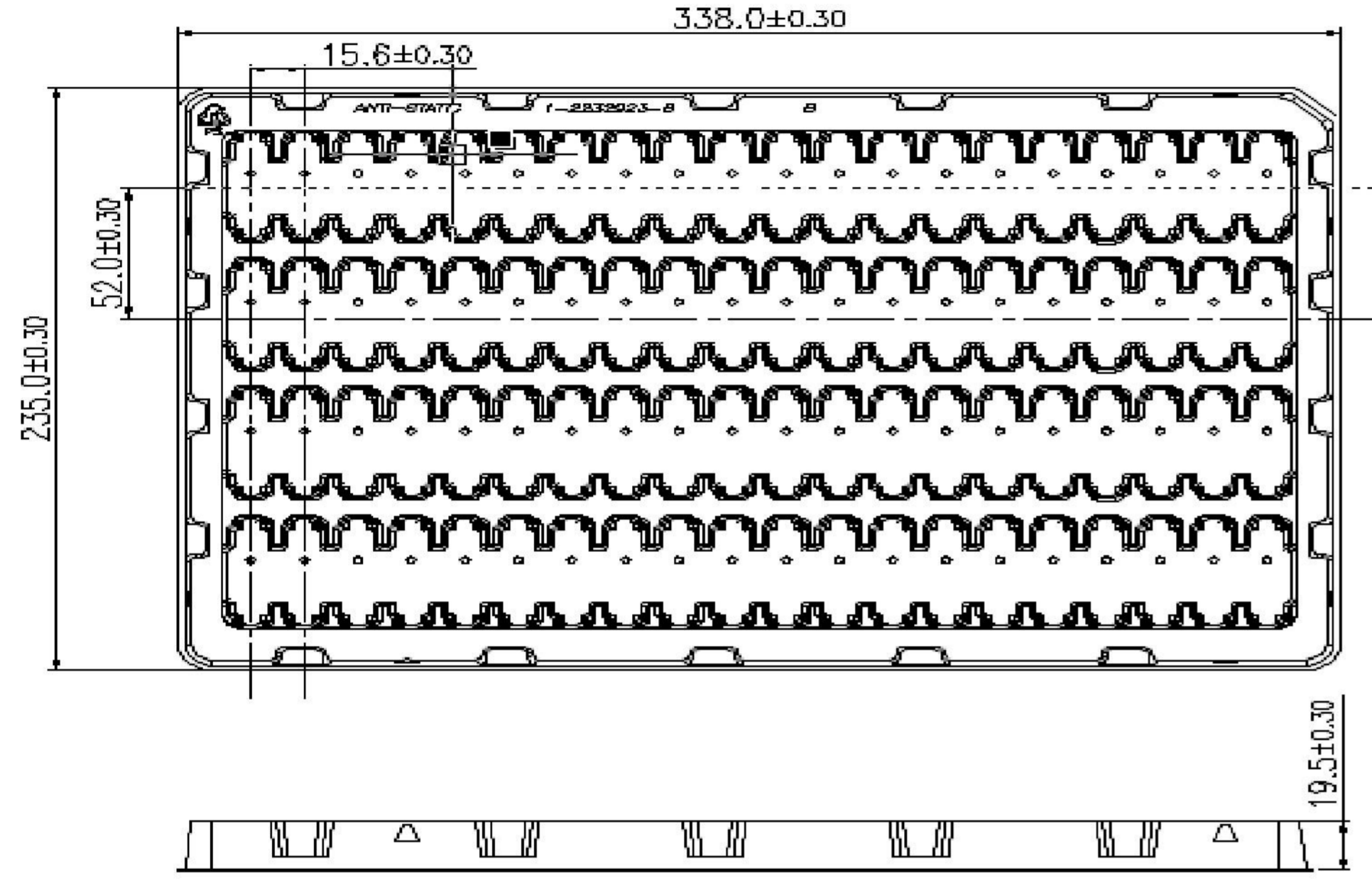


PACKAGE 2

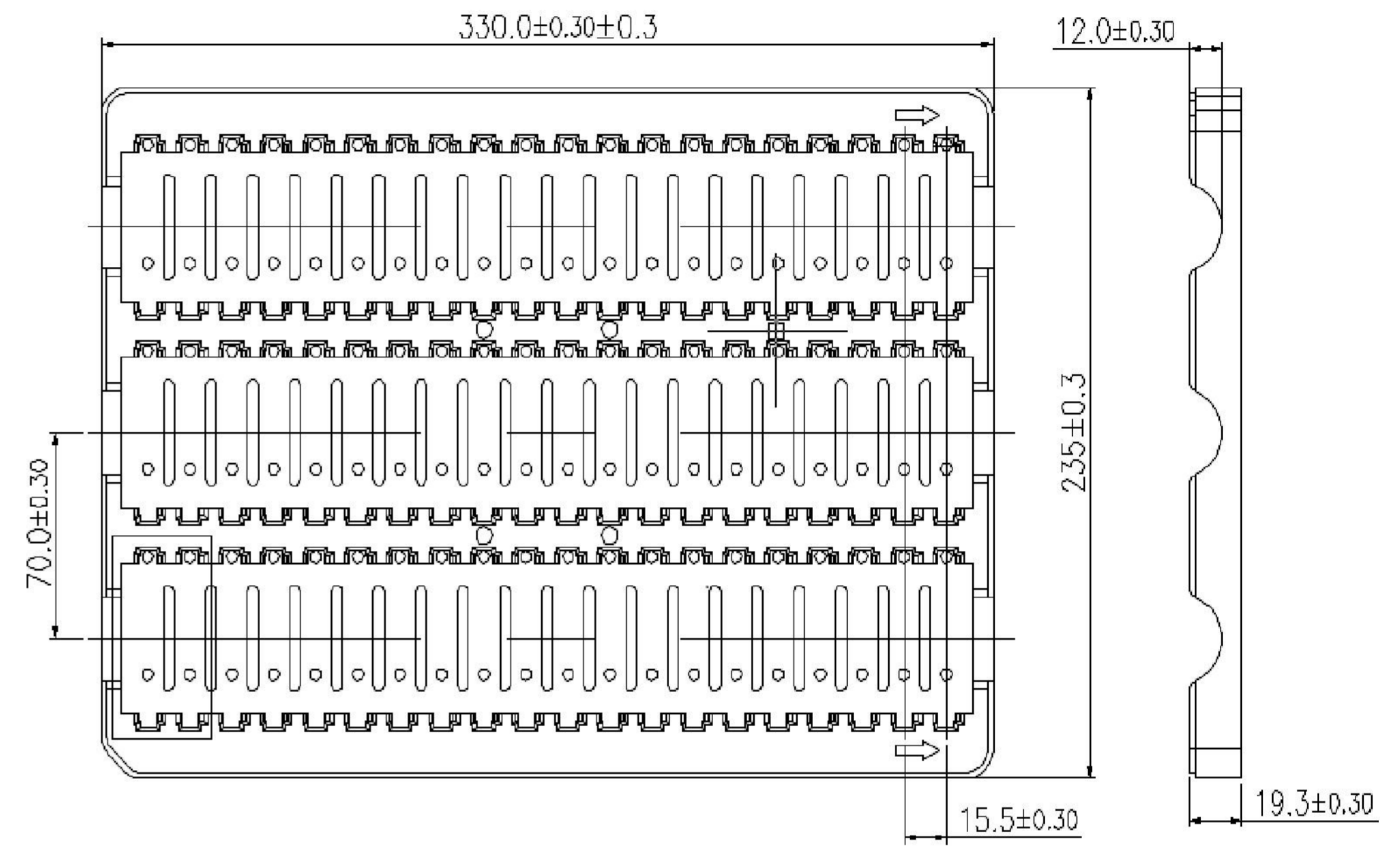
THIS DRAWING IS A CONTROLLED DOCUMENT.		DWN FRED LIU 12JUN2018	 TE Connectivity		
DIMENSIONS: mm		CHK HOPE LU 12JUN2018			
TOLERANCES UNLESS OTHERWISE SPECIFIED:		APVD HOPE LU 12JUN2018	NAME PCI EXPRESS CARD EDGE CONNECTOR		
0 PLC ± 1 PLC ±0.3 2 PLC ±0.20 3 PLC ±0.050 4 PLC ± ANGLES ± FINISH ±		PRODUCT SPEC -	GEN4, STANDARD VERSION		
MATERIAL -		APPLICATION SPEC -	SIZE A2	CAGE CODE 00779	DRAWING NO. C-2337939
-		WEIGHT -	RESTRICTED TO -		
CUSTOMER DRAWING			SCALE 3:1	SHEET 5 OF 6	REV F

THIS DRAWING IS UNPUBLISHED. RELEASED FOR PUBLICATION 20
 © COPYRIGHT 20 BY - ALL RIGHTS RESERVED.


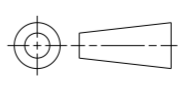
REVISIONS				
P	LTR	DESCRIPTION	DATE	APVD
-	-	SEE SHEET 1	-	-



PACKAGE 3



PACKAGE 4

THIS DRAWING IS A CONTROLLED DOCUMENT.		DWN FRED LIU 12 JUN 2018	 TE Connectivity NAME PCI EXPRESS CARD EDGE CONNECTOR GEN4 , STANDARD VERSION			
DIMENSIONS:		CHK HOPE LU 12 JUN 2018				
mm		APVD HOPE LU 12 JUN 2018				
		PRODUCT SPEC				
TOLERANCES UNLESS OTHERWISE SPECIFIED:		APPLICATION SPEC	SIZE	CAGE CODE	DRAWING NO	RESTRICTED TO
0 PLC	±	WEIGHT	A2	00779	C-2337939	-
1 PLC	±0.3	CUSTOMER DRAWING	SCALE	3:1	SHEET	6 OF 6
2 PLC	±0.20					REV
3 PLC	±0.050					F
4 PLC	±					
ANGLES	±					
FINISH	-					