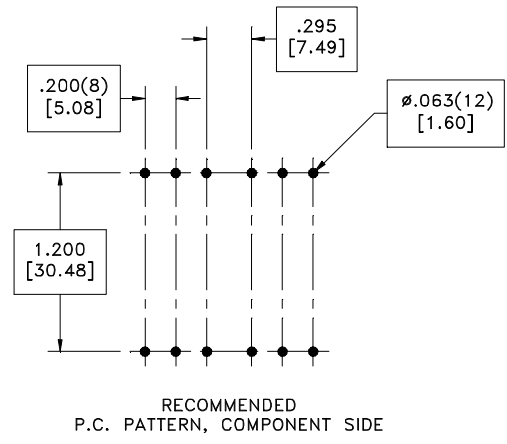
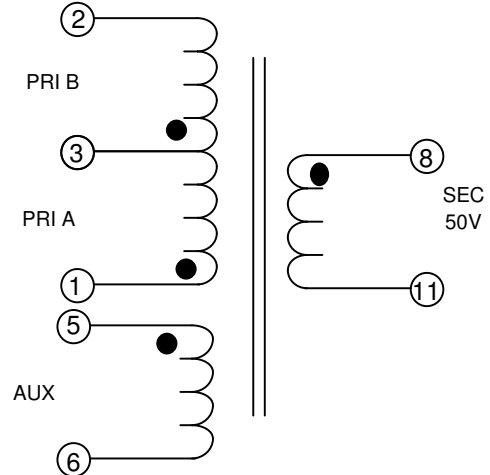
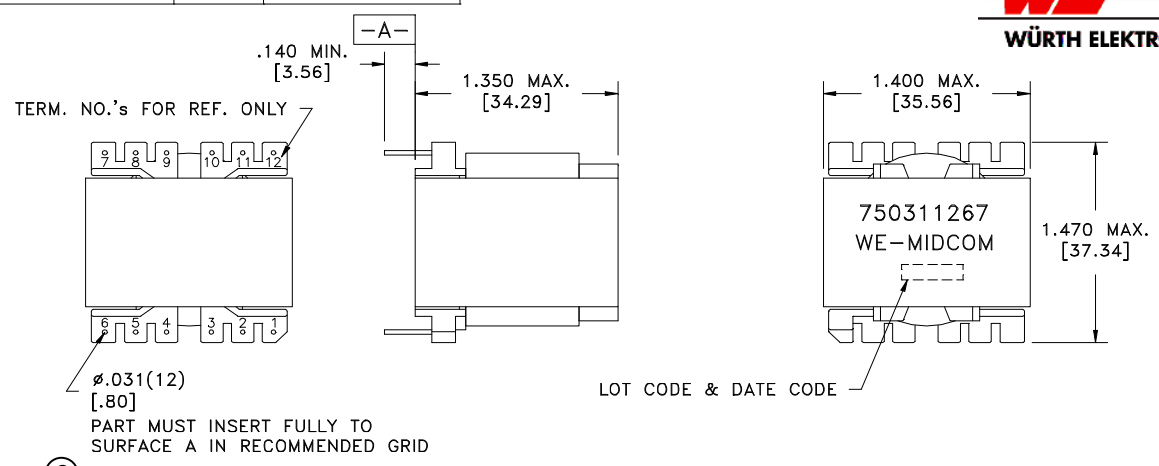


CUSTOMER TERMINAL	RoHS	LEAD(Pb)-FREE
Sn96%, Ag4%	Yes	Yes



ELECTRICAL SPECIFICATIONS @ 25°C unless otherwise noted:

D.C. RESISTANCE (@20°C):	1-2 , 0.28 Ohms ±10%.
	5-6 , 0.095 Ohms max.
	8-11 , 0.140 Ohms max.
DIELECTRIC RATING:	3000VAC, 1 minute tested by applying 3750VAC for 1 second between pins 1-8(2+5).
INDUCTANCE:	625µH ±4%, 10kHz, 100mVAC, 0mADC, 1-2, Ls.
LEAKAGE INDUCTANCE:	20.0µH max., 100kHz, 100mVAC, 1-2(5+6,7+8), Ls.
URNS RATIO:	(1-2):(8-11), (2.24):(1.00), ±1%.
	(1-2):(5-6), (4.307):(1.00), ±1%.
	(1-3):(3-2), (1):(1.00), ±1%.

Preliminary

WE-Midcom, Inc. Watertown, SD USA Toll Free: 800-643-2661 Fax: 605-886-4486	Unless otherwise specified, tolerances are as follows: Angles: ±1° Fractions: ±1/64 Decimals: ±.005 (.127mm)		WE-Midcom, Inc.	
	Drawing Title <h1>Transformer</h1>		Drawing Number <h2>750311267</h2>	Rev. 01
This drawing is dual dimensioned. Dimensions in brackets are in millimeters	Revisions: See Sheet 1		Scale ----	Sheet 2 of 5
Engineer:PLP			08/04/2009	