

## Evaluation Board for the **ADM2483** Half-Duplex *iCoupler* Isolated RS-485 Transceiver

### FEATURES

- RS-485 transceiver with electrical data isolation**
- 500 kbps data rate**
- Slew rate-limited driver outputs**
- Suitable for 5 V or 3 V operation on  $V_{DD1}$**
- Suitable for 5 V operation on  $V_{DD2}$**
- $V_{IORM} = 560$  V peak**
- 256 nodes on bus**

### ADM2483 APPLICATIONS

- Low power RS-485/RS-422 networks**
- Isolated interfaces**
- Industrial field networks**
- Multipoint data transmission systems**

### EVALUATION KIT CONTENTS

EVAL-ADM2483EBZ

### GENERAL DESCRIPTION

The EVAL-ADM2483EBZ allows easy and quick evaluation of the isolated **ADM2483** RS-485 transceiver. The evaluation board allows all of the input and output functions to be exercised without the need for external components.

The **ADM2483** differential bus transceiver is an integrated, galvanically isolated component designed for bidirectional data communication on balanced, multipoint bus transmission lines. Using Analog Devices, Inc., *iCoupler*® technology, the **ADM2483** combines a 3-channel isolator, a three-state differential line driver, and a differential input receiver into a single package. The logic side of the device is powered with either a 5 V or 3 V supply, and the bus side uses only a 5 V supply.

### EVALUATION BOARD DIGITAL PHOTOGRAPH



Figure 1.

**TABLE OF CONTENTS**

Features .....	1	Evaluation Board Configurations .....	3
ADM2483 Applications .....	1	Setting Up the Evaluation Board.....	3
Evaluation Kit Contents.....	1	Evaluation Board Schematic and Artwork.....	4
General Description .....	1	Ordering Information.....	6
Evaluation Board Digital Photograph.....	1	Bill of Materials.....	6
Revision History .....	2	Related Links.....	6

**REVISION HISTORY**

**6/11—Revision 0: Initial Version**

## EVALUATION BOARD CONFIGURATIONS

### SETTING UP THE EVALUATION BOARD

The EVAL-ADM2483EBZ allows the isolated [ADM2483](#) RS-485 transceivers to be easily and quickly evaluated. The evaluation board allows all of the input and output functions to be exercised without the need for external components.

A termination resistor, RT, of 120  $\Omega$  is fitted on the receiver input. This can be removed if the board is connected to a bus already terminated at both ends. The value of the termination resistor should be equal to the characteristic impedance of the cable used.

The logic side is suitable for 5 V or 3 V operation on VDD1. There is a 0.1  $\mu$ F decoupling capacitor, C1, fitted between VDD1 and GND1. The bus side is suitable for 5 V operation on VDD2. There is a 0.1  $\mu$ F decoupling capacitor, C2, fitted between VDD2 and GND2.

If fail-safe biasing is required for other parts on the bus that do not have the offset receiver threshold of the ADM2483, bus biasing resistors can be fitted on the receiver input by inserting R1 and R2.

Refer to [AN-960 Application Note, RS-485/RS-422 Circuit Implementation Guide](#), for an explanation of bus termination and fail-safe biasing.

# EVALUATION BOARD SCHEMATIC AND ARTWORK

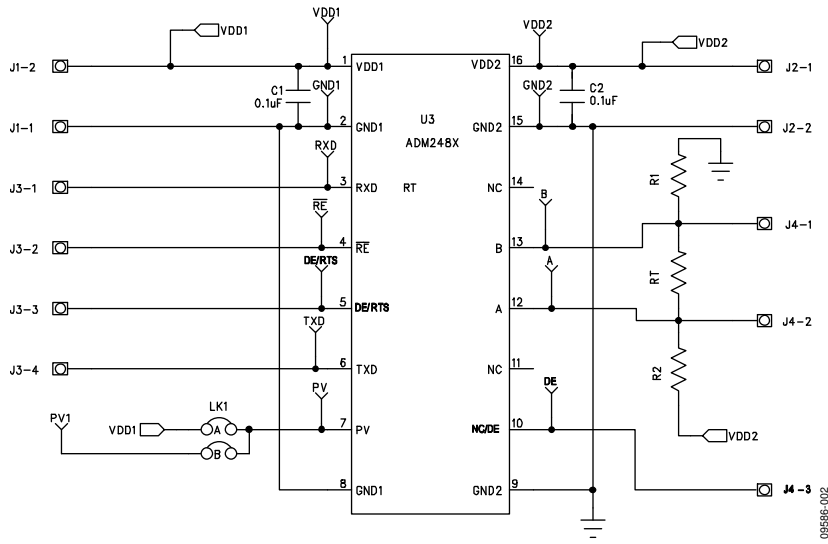


Figure 2. EVAL-ADM2483EBZ Evaluation Board Circuit Diagram

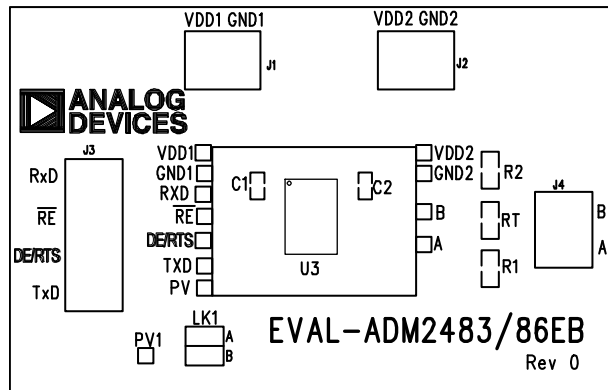


Figure 3. EVAL-ADM2483EBZ Evaluation Board Silkscreen

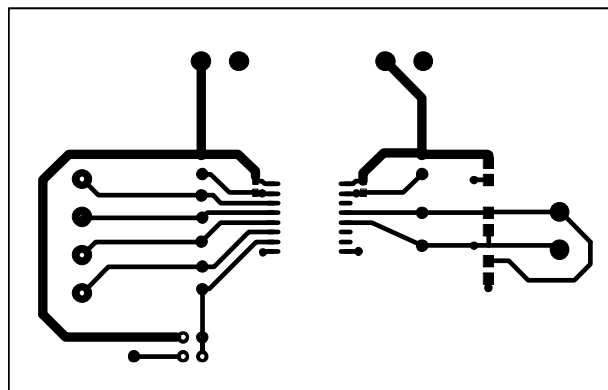


Figure 4. EVAL-ADM2483EBZ Evaluation Board Component Side

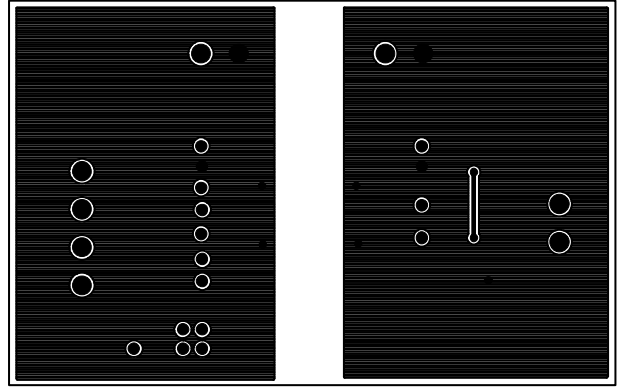


Figure 5. EVAL-ADM2483EBZ Evaluation Board Solder Side

**ORDERING INFORMATION****BILL OF MATERIALS**

Table 1.

Quantity	Reference Designator	Description	Supplier/Part Number
2	R1, R2	Resistor, do not insert	Not applicable
1	RT	Resistor, 120 $\Omega$ , 0805	Multicomp/MC 0.1W 0805 1% 120R
2	C1, C2	Capacitor, Size 0805, 100 nF	AVX Corp./08055C104KAT2A
2	J1, J2	CON\POWER, 2-pin terminal block (5 mm pitch)	Lumberg/KRM 02
1	J3	CON\POWER4, 4-pin terminal block	Lumberg/KRM 04
1	J4	CON\POWER, terminal block, PCB, 3-way	Lumberg/KRM 03
1	LK1	Board-to-board connector header, 4-way, 2-row and Jumper $\times$ 2	SPC Technology/SPC20499, Harwin/M7566-05
1	U3	SO16WB	Analog Devices/ADM2483BRWZ
2	GND1, GND2	Test point, black	Vero Technologies/20-2137
2	VDD1, VDD2	Test point, red	Vero Technologies/20-313137
2	A, B	Test point, green	Vero Technologies/20-313138
7	RXD, DE, $\overline{\text{RE}}$ , PV, TXD, PV1, DE/RTS	Test point, yellow	Vero Technologies/20-313140

**RELATED LINKS**

Resource	Description
<a href="#">ADM2483</a>	Product Page, 2.5 kV Signal Isolated, 500 kbps, Half Duplex RS-485 Transceiver with Power Valid Input
<a href="#">AN-960</a>	RS-485/RS-422 Circuit Implementation Guide

**NOTES**

## NOTES

**ESD Caution**

**ESD (electrostatic discharge) sensitive device.** Charged devices and circuit boards can discharge without detection. Although this product features patented or proprietary protection circuitry, damage may occur on devices subjected to high energy ESD. Therefore, proper ESD precautions should be taken to avoid performance degradation or loss of functionality.

**Legal Terms and Conditions**

By using the evaluation board discussed herein (together with any tools, components documentation or support materials, the "Evaluation Board"), you are agreeing to be bound by the terms and conditions set forth below ("Agreement") unless you have purchased the Evaluation Board, in which case the Analog Devices Standard Terms and Conditions of Sale shall govern. Do not use the Evaluation Board until you have read and agreed to the Agreement. Your use of the Evaluation Board shall signify your acceptance of the Agreement. This Agreement is made by and between you ("Customer") and Analog Devices, Inc. ("ADI"), with its principal place of business at One Technology Way, Norwood, MA 02062, USA. Subject to the terms and conditions of the Agreement, ADI hereby grants to Customer a free, limited, personal, temporary, non-exclusive, non-sublicensable, non-transferable license to use the Evaluation Board FOR EVALUATION PURPOSES ONLY. Customer understands and agrees that the Evaluation Board is provided for the sole and exclusive purpose referenced above, and agrees not to use the Evaluation Board for any other purpose. Furthermore, the license granted is expressly made subject to the following additional limitations: Customer shall not (i) rent, lease, display, sell, transfer, assign, sublicense, or distribute the Evaluation Board; and (ii) permit any Third Party to access the Evaluation Board. As used herein, the term "Third Party" includes any entity other than ADI, Customer, their employees, affiliates and in-house consultants. The Evaluation Board is NOT sold to Customer; all rights not expressly granted herein, including ownership of the Evaluation Board, are reserved by ADI. CONFIDENTIALITY. This Agreement and the Evaluation Board shall all be considered the confidential and proprietary information of ADI. Customer may not disclose or transfer any portion of the Evaluation Board to any other party for any reason. Upon discontinuation of use of the Evaluation Board or termination of this Agreement, Customer agrees to promptly return the Evaluation Board to ADI. ADDITIONAL RESTRICTIONS. Customer may not disassemble, decompile or reverse engineer chips on the Evaluation Board. Customer shall inform ADI of any occurred damages or any modifications or alterations it makes to the Evaluation Board, including but not limited to soldering or any other activity that affects the material content of the Evaluation Board. Modifications to the Evaluation Board must comply with applicable law, including but not limited to the RoHS Directive. TERMINATION. ADI may terminate this Agreement at any time upon giving written notice to Customer. Customer agrees to return to ADI the Evaluation Board at that time. LIMITATION OF LIABILITY. THE EVALUATION BOARD PROVIDED HEREUNDER IS PROVIDED "AS IS" AND ADI MAKES NO WARRANTIES OR REPRESENTATIONS OF ANY KIND WITH RESPECT TO IT. ADI SPECIFICALLY DISCLAIMS ANY REPRESENTATIONS, ENDORSEMENTS, GUARANTEES, OR WARRANTIES, EXPRESS OR IMPLIED, RELATED TO THE EVALUATION BOARD INCLUDING, BUT NOT LIMITED TO, THE IMPLIED WARRANTY OF MERCHANTABILITY, TITLE, FITNESS FOR A PARTICULAR PURPOSE OR NON-INFRINGEMENT OF INTELLECTUAL PROPERTY RIGHTS. IN NO EVENT WILL ADI AND ITS LICENSORS BE LIABLE FOR ANY INCIDENTAL, SPECIAL, INDIRECT, OR CONSEQUENTIAL DAMAGES RESULTING FROM CUSTOMER'S POSSESSION OR USE OF THE EVALUATION BOARD, INCLUDING BUT NOT LIMITED TO LOST PROFITS, DELAY COSTS, LABOR COSTS OR LOSS OF GOODWILL. ADI'S TOTAL LIABILITY FROM ANY AND ALL CAUSES SHALL BE LIMITED TO THE AMOUNT OF ONE HUNDRED US DOLLARS (\$100,000). EXPORT. Customer agrees that it will not directly or indirectly export the Evaluation Board to another country, and that it will comply with all applicable United States federal laws and regulations relating to exports. GOVERNING LAW. This Agreement shall be governed by and construed in accordance with the substantive laws of the Commonwealth of Massachusetts (excluding conflict of law rules). Any legal action regarding this Agreement will be heard in the state or federal courts having jurisdiction in Suffolk County, Massachusetts, and Customer hereby submits to the personal jurisdiction and venue of such courts. The United Nations Convention on Contracts for the International Sale of Goods shall not apply to this Agreement and is expressly disclaimed.