

| MATERIAL NO. | ENGINEERING NO. | FINISHED LENGTH       |
|--------------|-----------------|-----------------------|
| 1300620278   | 114130K21M010   | 3 FT 3.3 IN (1M)      |
| 1300621176   | 114130K21M400   | 131 FT 2.7 IN (40 M)  |
| 1300621187   | 114130K21M800   | 262 FT. 5.5 IN (80 M) |

**CABLE LENGTH TOLERANCES**

<.3M [1FT]: +19mm-0 [ +.75in-0]

.3 - .9M [1 - 3FT]: +44.5mm-0 [+1.75in-0]

.9 - 1.8M [3 - 6FT]: +55.6mm-0 [+2.19in-0]

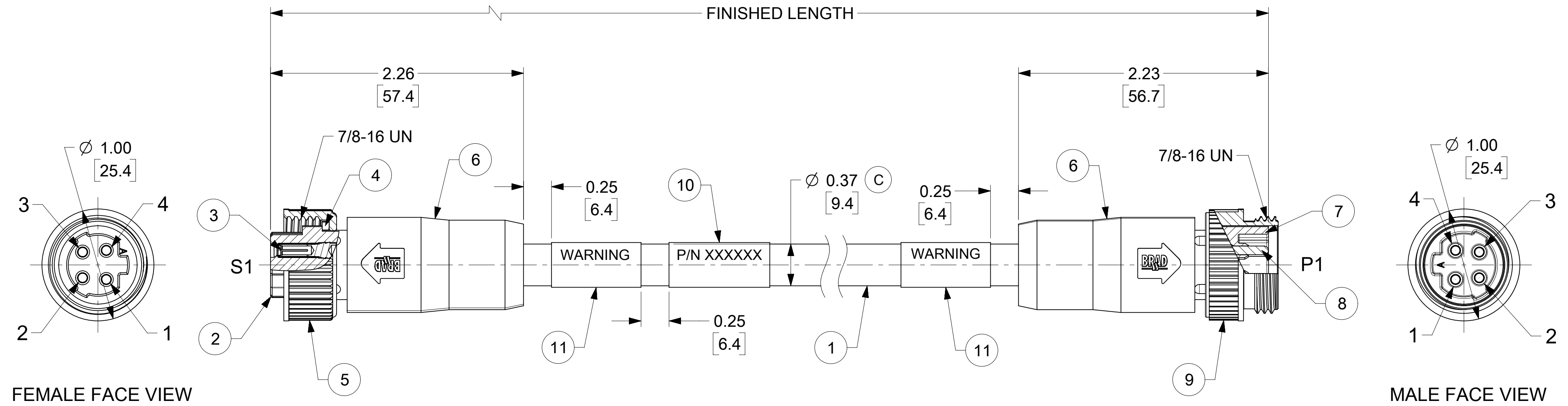
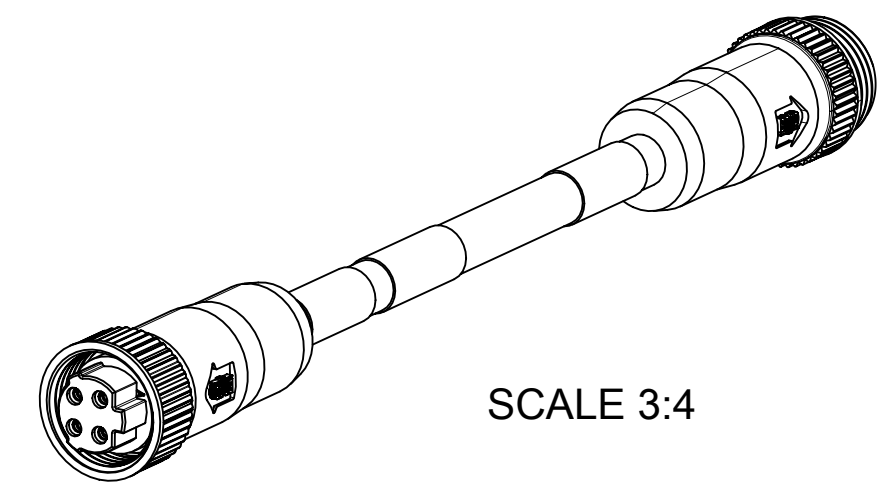
1.8 - 3.7M [6 - 12FT]: +88.9mm-0 [+3.50in-0]

3.7 - 7.3M [12 - 24FT]: +165.1mm-0 [+6.50in-0]

7.3-14.6M [24 - 48FT]: +317.5mm-0 [+12.50in-0]

14.6 - 30.5M [48-100FT]: +622.3mm-0 [+24.50in-0]

OVER 30M [100FT] +2% OF FINISHED LENGTH



- NOTES:**
- MATERIAL: AS NOTED
  - FINISH: AS NOTED
  - ELECTRICAL:
    - VOLTAGE: 483V PER IEC60664
    - 600V PER UL2237
    - CURRENT: 15A
  - TEMP RATING: -20°C TO +90°C
  - PROTECTION: IP67 (WHEN MATED)
  - UL LISTED FILE: E258922
  - ALL DIMS ARE FOR REFERENCE UNLESS TOLERANCED OR NOTED OTHERWISE

**WIRING DIAGRAM**

| S1 |              | P1 |  |
|----|--------------|----|--|
| 1  | BLACK #1     | 1  |  |
| 2  | BLACK #2     | 2  |  |
| 3  | BLACK #3     | 3  |  |
| 4  | GREEN/YELLOW | 4  |  |

**PART NUMBER LEGEND**

**114130K21M010**

FINISHED LENGTH  
 M001 = 0.1 METER  
 M010 = 1 METER  
 M100 = 10 METER

| ITEM | DESCRIPTION         | MATERIAL      | FINISH           |
|------|---------------------|---------------|------------------|
| 11   | WARNING LABEL       | VINYL         | BLACK/ORANGE     |
| 10   | WRAP LABEL          | VINYL         | BLACK/YELLOW     |
| 9    | MALE COUPLING NUT   | ZINC DIE-CAST | BLACK E-COATED   |
| 8    | PIN CONTACT         | Cu ALLOY      | GOLD OVER NICKEL |
| 7    | MALE INSERT         | TPE           | BLACK            |
| 6    | OVERMOLD            | TPE           | BLACK            |
| 5    | FEMALE COUPLING NUT | ZINC DIE-CAST | BLACK E-COATED   |
| 4    | FRICTION RING       | NYLON         | WHITE            |
| 3    | SOCKET CONTACT      | Cu ALLOY      | GOLD OVER NICKEL |
| 2    | FEMALE INSERT       | TPE           | BLACK            |
| 1    | CABLE, 14 AWG-TC-ER | TPE           | BLACK            |

|  |   |  |                          |                           |                |              |          |
|--|---|--|--------------------------|---------------------------|----------------|--------------|----------|
| FUNCTIONAL SYMBOLS                                   | THIS DRAWING CONTAINS INFORMATION THAT IS PROPRIETARY TO MOLEX ELECTRONIC TECHNOLOGIES, LLC AND SHOULD NOT BE USED WITHOUT WRITTEN PERMISSION | CURRENT REV DESC: UPDATED ITEM #2,6,7 WERE PVC 10,11 WERE MYLAR. ADDED IEC VOLT, DIA., TOL. CHART & PART NO CHART. |                          | <b>molex</b>              |                |              |          |
|  | DIMENSION UNITS   | SCALE  | EC NO: 709714            |                           |                |              |          |
|  | INCH/MM   | 1.5:1  | DRWN: VHANDI 2021/05/28  |                           |                |              |          |
|  | GENERAL TOLERANCES (UNLESS SPECIFIED)   |  | CHK'D: RSTONE 2022/06/08 |                           |                |              |          |
| DIVISIONAL SYMBOLS                                   | 4 PLACES  | MM   | INCH                     | APPR: BWOODMAN 2022/06/14 |                |              |          |
|  | 3 PLACES  | ±  | ±                        | INITIAL REVISION:         |                |              |          |
|  | 2 PLACES  | ±  | ±                        | DRWN: BRUPERT 2011/07/11  |                |              |          |
|  | 1 PLACE   | ±  | ±                        | APPR: BWOODMAN 2014/09/04 |                |              |          |
| DRAFT WHERE APPLICABLE MUST REMAIN WITHIN DIMENSIONS |   | THIRD ANGLE PROJECTION   | DRAWING                  | SERIES                    |                |              |          |
|  |   |  | C-SIZE                   | 130062                    |                |              |          |
| DOCUMENT STATUS                                      | P1  | RELEASE DATE   | 2022/06/14 13:48:41      | DOCUMENT NUMBER           | DOC TYPE       | DOC PART     | REVISION |
|  |   |  |                          | SD-130062-022             | PSD            | 001          | C        |
|  |   |  |                          | MATERIAL NUMBER           | CUSTOMER       | SHEET NUMBER |          |
|  |   |  |                          | SEE TABLE                 | GENERAL MARKET | 1 OF 1       |          |