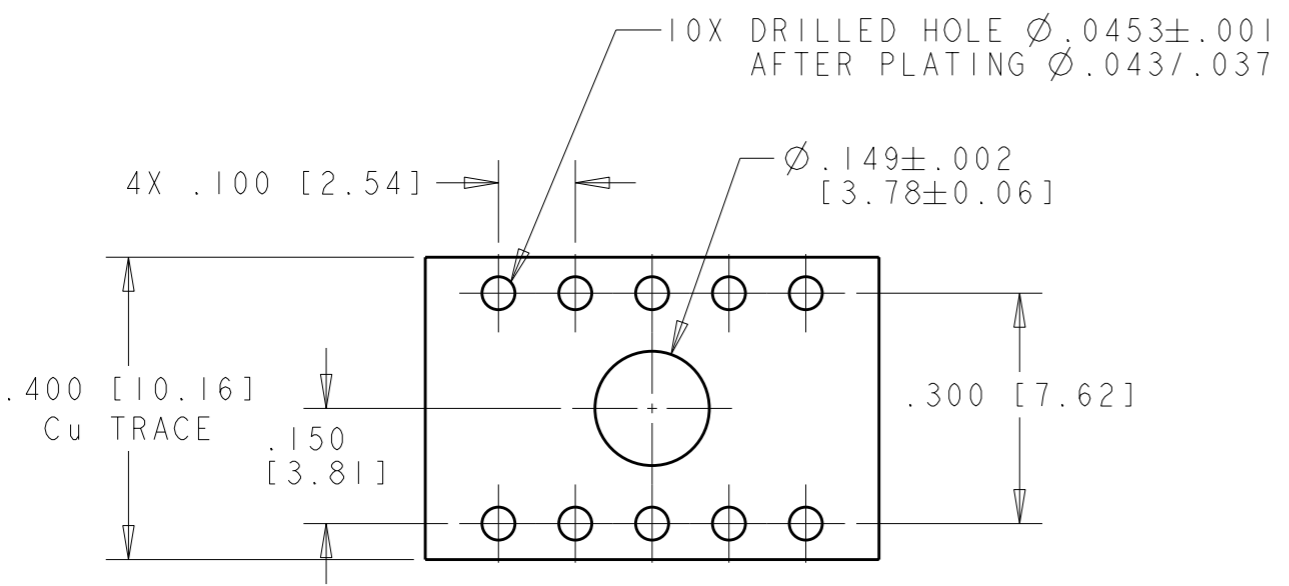
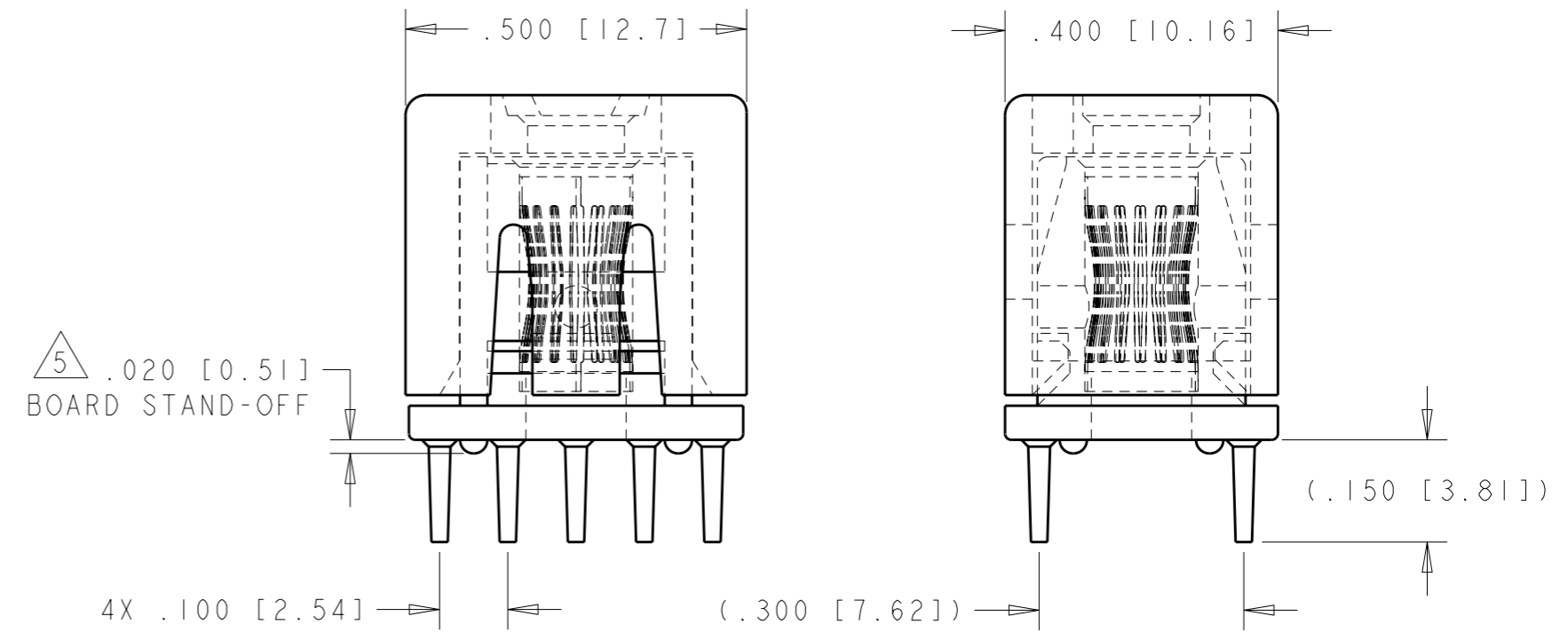
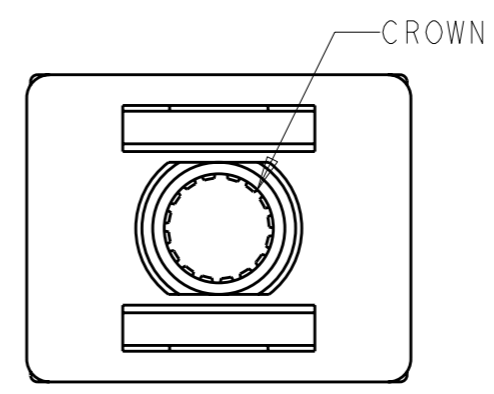


THIS DRAWING IS UNPUBLISHED. RELEASED FOR PUBLICATION 20  
 © COPYRIGHT 20 BY TYCO ELECTRONICS CORPORATION. ALL RIGHTS RESERVED.

LOC	DIST	REVISIONS			
P	LTR	DESCRIPTION	DATE	DWN	APVD
GP	00	A	INITIAL RELEASE	27NOV2006	GIP DO
		B	REV PER ECO-10-021627	24JAN2011	RG NE



RECOMMENDED FOOTPRINT



- PART NUMBER CHANGES AND/OR DESIGN CHANGES AFFECTING ITEM INTERCHANGEABILITY REQUIRE PRIOR TYCO APPROVAL AND AUTHORIZATION BY REVISION TO THIS DRAWING.
- ITEM PROVIDED TO THIS SPECIFICATION SHALL BE IDENTIFIED ON CONTAINER WITH THE FOLLOWING INFORMATION, PART NUMBER AND DATE CODE OF MANUFACTURE.
- MATERIAL:  
 INSULATOR - POLYESTER, GLASS FILLED, UL 94 V-0  
 RATED COLOR: BLACK  
 MODULE: ZINC ALLOY  
 CROWN: BeCu
- FINISH:  
 MODULE-SILVER .0002 MIN THK OVER NICKEL .00005 MIN THK OVER COPPER .00001 MIN THK.  
 CROWN- GOLD IN CONTACT AREA .00003 MIN THK. OVER NICKEL .00005 MIN THK.

5 A FIVE POUND (5lb) FORCE REQUIRED TO CORRECTLY SEAT THE CONNECTOR WITH THE PLATED THRU HOLES LESS THAN  $\phi .040$  INCH.

6643219-1  
 PART NUMBER

<small>THIS DRAWING IS A CONTROLLED DOCUMENT FOR TYCO ELECTRONICS CORPORATION IT IS SUBJECT TO CHANGE AND THE CONTROLLING ENGINEERING ORGANIZATION SHOULD BE CONTACTED FOR THE LATEST REVISION.</small>	
DIMENSIONS: INCH [mm]	TOLERANCES UNLESS OTHERWISE SPECIFIED:
	0 PLC $\pm$ -
	1 PLC $\pm$ -
	2 PLC $\pm .01 [ .3 ]$
	3 PLC $\pm .006 [ .15 ]$
	4 PLC $\pm$ -
	ANGLES $\pm .5$
MATERIAL SEE LIST	FINISH -

DWN G.PETERS 27NOV2006	Tyco Electronics Harrisburg, PA 17105-3608
CHK D.ORRIS 27NOV2006	
APVD S.FLICKINGER 27NOV2006	
PRODUCT SPEC	
APPLICATION SPEC	NAME ICCON SOCKET, PERPENDICULAR 2 X 5, WITH THRU HOLE
WEIGHT -	SIZE A3
CUSTOMER DRAWING	CAGE CODE 00779
	DRAWING NO C-6643219
	RESTRICTED TO -
	SCALE
	SHEET OF
	REV B

ELCON ICCON