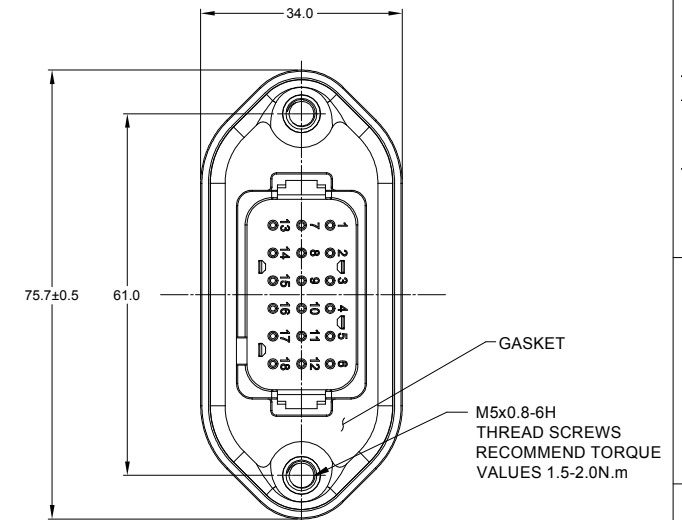
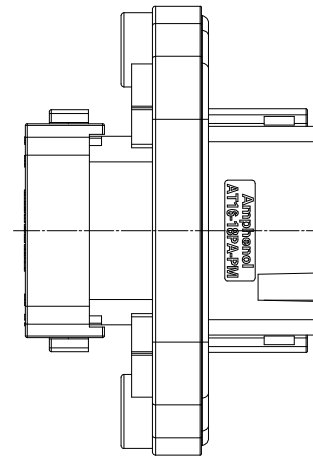
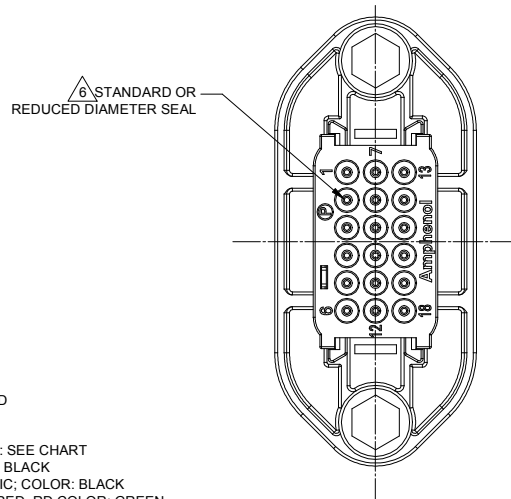
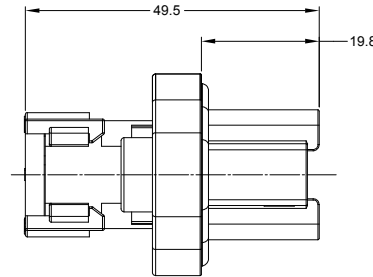


MOUNTING PLATE SIZE



REVISIONS					
REV	ECO	DESCRIPTION	DATE	BY	APPR
A1	-	RELEASE DRAWING	30JUN2020	ZENIN	TOMMY

NOTES: UNLESS OTHERWISE SPECIFIED

- MATERIAL:
HOUSING: THERMOPLASTIC; COLOR: SEE CHART
END CAP: THERMOPLASTIC; COLOR: BLACK
STRAIN RELIEF CAP: THERMOPLASTIC; COLOR: BLACK
SEALS: SILICONE RUBBER; COLOR: RED, RD COLOR: GREEN
- MODIFICATIONS: FLANGE, GASKET, END CAP, STRAIN RELIEF CAP (OPT), REDUCED DIAMETER SEAL, STANDARD SEAL (OPT).
- SPECIFICATIONS:
3.1 CURRENT RATING: 13 AMPS
3.2 OPERATING TEMPERATURE: -55°C TO +125°C
3.3 DIELECTRIC WITHSTANDING VOLTAGE: LESS THAN 2 MILLIAMPS CURRENT LEAKAGE @ 1500 VOLTS AC.
3.4 INSULATION RESISTANCE: 1000 MEGOHMS MIN @ 25°C.
3.5 MOISTURE RESISTANCE:
IP68(1M OF WATER FOR A PERIOD OF 24 HOURS , MATED CONDITION)
IP69K(MATED CONDITION)
3.6 MATING CYCLE DURABILITY: 100 CYCLES
3.7 RoHS COMPLIANT
- MATING PART: AT16-18SX-* PLUGS
(X = A,B,C,D,E KEYS; * = MODIFICATIONS AND COLORS)
- ALL DIMENSIONS ARE FOR REFERENCE USE ONLY.

CONTACT SIZE AND REAR SEAL WIRE RANGE

REDUCED DIAMETER SEAL:			
CONTACT SIZE	MIN. INSUL O.D.	MAX. INSUL O.D.	TYPICAL WIRE RANGE
16	1.35 mm (.053 in)	3.05 mm (.120 in)	14 - 20 AWG
STANDARD SEAL:			
CONTACT SIZE	MIN. INSUL O.D.	MAX. INSUL O.D.	TYPICAL WIRE RANGE
16	2.24 mm (.088 in)	3.68 mm (.145 in)	14 - 20 AWG

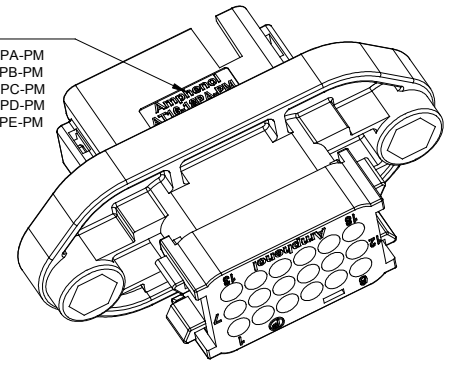
SEE CHART		DESCRIPTION		ITEM
QUANTITY	PART NUMBER	MATERIALS LIST		
UNLESS OTHERWISE SPECIFIED 1) All dimensions are in metric(mm). 2) Tolerances are as follows: 1 PL DEC ±0.30 2 PL DEC ±0.15 3 PL DEC ±0.08 Fractions ±1/64 Angles ±1°		SIGNATURES		DATE
DRAWN: ZENIN,DENG		28/JUN/20		
CHECKED: ORION,LI		29/JUN/20		
ENGINEER:				
APPROVAL: TOMMY,XIE		30/JUN/20		
CUSTOMER:				
MATERIAL SPECIFICATIONS:				
PROCESS SPECIFICATIONS:		THIS DRAWING IS SUPPLIED FOR INFORMATION ONLY. DESIGN FEATURES, SPECIFICATIONS AND PERFORMANCE DATA SHOWN HEREON ARE THE PROPERTY OF THE AMPHENOL CORPORATION. NO RIGHTS OF REPRODUCTION ARE IMPLIED. ALL DIMENSIONS ARE SUBJECT TO NORMAL MANUFACTURING VARIATIONS.		
NEXT ASSY:				
		Sine Systems - www.amphenol-sine.com 44724 Morley Drive Clinton Township, MI 48036		
		18 POSITION RECEPTACLE, PIN,PANELMATE AT SERIES		
		SIZE	TYPE	DWG NO:
		B C-	AT16-18PX-PMXX	A1
		SCALE	NONE	
		SHEET 1 OF 3		

TITLE: 18 POSITION RECEPTACLE, PIN,PANELMATE AT SERIES
DWG NO: AT16-18PX-PMXX
REV: A1
SH: 1
OF: 3

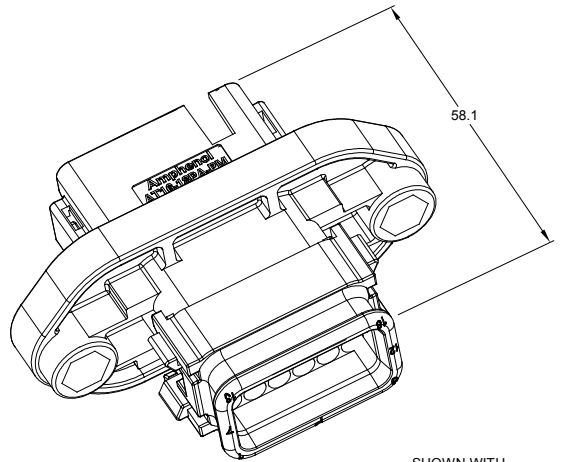
REVISIONS

REV	ECO	DESCRIPTION	DATE	BY	APPR
A1	-	RELEASE DRAWING	30/JUN/20	ZENIN	TOMMY

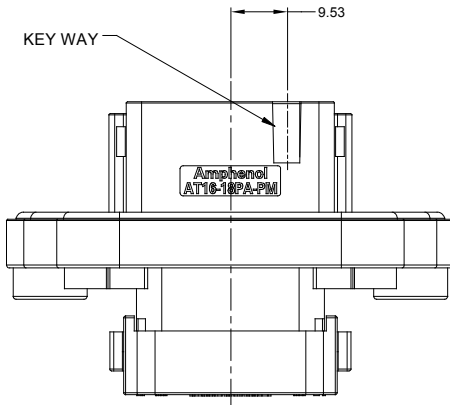
LOGO AND P/N
 A-KEYED P/N:AT16-18PA-PM
 B-KEYED P/N:AT16-18PB-PM
 C-KEYED P/N:AT16-18PC-PM
 D-KEYED P/N:AT16-18PD-PM
 E-KEYED P/N:AT16-18PE-PM



SHOWN WITH
END CAP

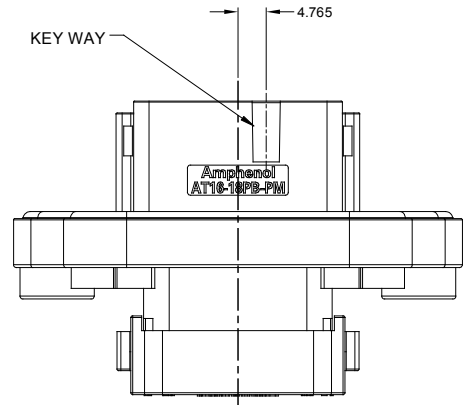


SHOWN WITH
STRAIN RELIEF



P/N AT16-18PA-PMXX
KEY-A CONFIGURATION
COLOR: GRAY

KEY-A CONFIGURATION		
PART NUMBER	STRAIN RELIEF	SEAL
AT16-18PA-PM11	NO	REDUCED DIA.
AT16-18PA-PM15	YES	REDUCED DIA.
AT16-18PA-PM12	NO	STANDARD
AT16-18PA-PM16	YES	STANDARD



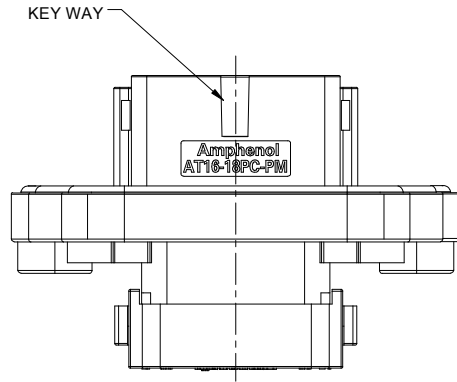
P/N AT16-18PB-PMXX
KEY-B CONFIGURATION
COLOR: BLACK

KEY-B CONFIGURATION		
PART NUMBER	STRAIN RELIEF	SEAL
AT16-18PB-PM11	NO	REDUCED DIA.
AT16-18PB-PM15	YES	REDUCED DIA.
AT16-18PB-PM12	NO	STANDARD
AT16-18PB-PM16	YES	STANDARD

QUANTITY	PART NUMBER	DESCRIPTION	ITEM								
MATERIALS LIST											
UNLESS OTHERWISE SPECIFIED 1) All dimensions are in metric(mm). 2) Tolerances are as follows: 1 PL DEC ±0.30 Fractions ±1/64 2 PL DEC ±0.15 Angles ±1° 3 PL DEC ±0.08		SIGNATURES DATE DRAWN: ZENIN,DENG 28/JUN/20 CHECKED: ORIONLI 29/JUN/20 ENGINEER: APPROVAL: TOMMY,XIE 30/JUN/20 CUSTOMER:									
MATERIAL SPECIFICATIONS: THIS DRAWING IS SUPPLIED FOR INFORMATION ONLY. DESIGN FEATURES, SPECIFICATIONS AND PERFORMANCE DATA SHOWN HEREON ARE THE PROPERTY OF THE AMPHENOL CORPORATION. NO RIGHTS OF REPRODUCTION ARE IMPLIED. ALL DIMENSIONS ARE SUBJECT TO NORMAL MANUFACTURING VARIATIONS.		 Sine Systems - www.amphenol-sine.com 44724 Morley Drive Clinton Township, MI 48036									
PROCESS SPECIFICATIONS: NEXT ASSY:		18 POSITION RECEPTACLE, PIN,PANELMATE AT SERIES <table border="1"> <tr> <td>SIZE</td> <td>TYPE</td> <td>DWG NO.</td> <td>REVISION</td> </tr> <tr> <td>B C-</td> <td></td> <td>AT16-18PX-PMXX</td> <td>A1</td> </tr> </table>		SIZE	TYPE	DWG NO.	REVISION	B C-		AT16-18PX-PMXX	A1
SIZE	TYPE	DWG NO.	REVISION								
B C-		AT16-18PX-PMXX	A1								
		SCALE: NONE	SHEET 2 OF 3								

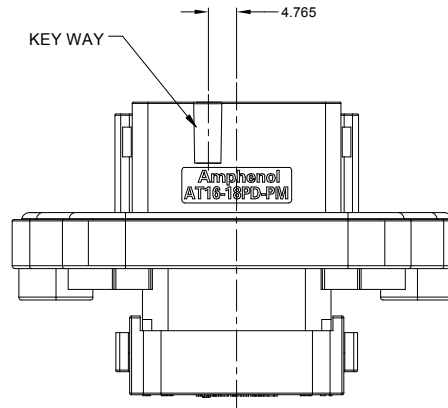
TITLE: 18 POSITION RECEPTACLE, PIN,PANELMATE,AT SERIES
 DWG NO.: AT16-18PX-PMXX
 REV: A1
 SH: 2
 OF: 3

REVISIONS					
REV	ECO	DESCRIPTION	DATE	BY	APPR
A1	-	RELEASE DRAWING	30/JUN/20	ZENIN	TOMMY



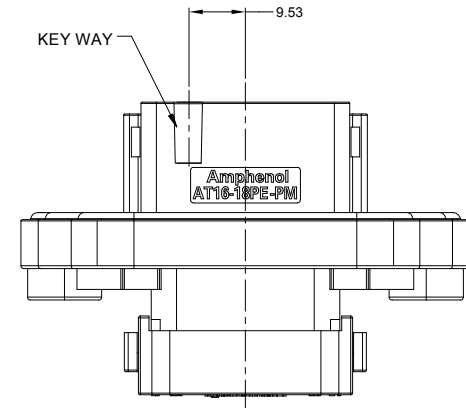
P/N AT16-18PC-PMXX
KEY-C CONFIGURATION
COLOR: GREEN

KEY-C CONFIGURATION		
PART NUMBER	STRAIN RELIEF	SEAL
AT16-18PC-PM11	NO	REDUCED DIA.
AT16-18PC-PM15	YES	REDUCED DIA.
AT16-18PC-PM12	NO	STANDARD
AT16-18PC-PM16	YES	STANDARD



P/N AT16-18PD-PMXX
KEY-D CONFIGURATION
COLOR: BROWN

KEY-D CONFIGURATION		
PART NUMBER	STRAIN RELIEF	SEAL
AT16-18PD-PM11	NO	REDUCED DIA.
AT16-18PD-PM15	YES	REDUCED DIA.
AT16-18PD-PM12	NO	STANDARD
AT16-18PD-PM16	YES	STANDARD



P/N AT16-18PE-PMXX
KEY-E CONFIGURATION
COLOR: GRAY



KEY-E CONFIGURATION		
PART NUMBER	STRAIN RELIEF	SEAL
AT16-18PE-PM11	NO	REDUCED DIA.
AT16-18PE-PM15	YES	REDUCED DIA.
AT16-18PE-PM12	NO	STANDARD
AT16-18PE-PM16	YES	STANDARD

QUANTITY	PART NUMBER	DESCRIPTION	ITEM
MATERIALS LIST			
UNLESS OTHERWISE SPECIFIED 1) All dimensions are in metric(mm). 2) Tolerances are as follows: 1 PL DEC ±0.30 2 PL DEC ±0.15 3 PL DEC ±0.08 Fractions ±1/64 Angles ±1° 3) Note reference =		SIGNATURES DATE DRAWN: ZENIN,DENG 28/JUN/20 CHECKED: ORION,LI 29/JUN/20 ENGINEER: APPROVAL: TOMMY,XIE 30/JUN/20 CUSTOMER:	
MATERIAL SPECIFICATIONS: PROCESS SPECIFICATIONS: NEXT ASSY:		<div style="text-align: center;"> Sine Systems - www.amphenol-sine.com 44724 Morley Drive Clinton Township, MI 48036 </div> <div style="text-align: center;"> 18 POSITION RECEPTACLE, PIN,PANELMATE AT SERIES </div>	
THIS DRAWING IS SUPPLIED FOR INFORMATION ONLY. DESIGN FEATURES, SPECIFICATIONS AND PERFORMANCE DATA SHOWN HEREON ARE THE PROPERTY OF THE AMPHENOL CORPORATION. NO RIGHTS OF REPRODUCTION ARE IMPLIED. ALL DIMENSIONS ARE SUBJECT TO NORMAL MANUFACTURING VARIATIONS.		SIZE TYPE DWG NO: B C- AT16-18PX-PMXX	REVISION A1
SCALE: NONE		SHEET 3 OF 3	





TITLE: 18 POSITION RECEPTACLE, PIN,PANELMATE AT SERIES
 DWG NO.: AT16-18PX-PMXX
 REV: A1
 SH: 3
 OF: 3

AT Series™ - Contact Size 16 Options



Machined Contacts, Sockets & Pins				
Part Number	Description	Size	AWG	Type
AT60-215-1631	Male Contact - Pin, Gold-plated	16	14	Machined
AT62-209-1631	Female Contact - Socket, Gold-plated	16	14	Machined
AT60-215-16141	Male Contact - Pin, Nickel-plated	16	14	Machined
AT62-209-16141	Female Contact - Socket, Nickel-plated	16	14	Machined
AT60-202-1631	Male Contact - Pin, Gold-plated	16	16-20	Machined
AT62-201-1631	Female Contact - Socket, Gold-plated	16	16-20	Machined
AT60-202-16141	Male Contact - Pin, Nickel-plated	16	16-20	Machined
AT62-201-16141	Female Contact - Socket, Nickel-plated	16	16-20	Machined
AT60-202-1631-22	Male Contact - Pin, Gold-plated	16	22-24	Machined
AT62-201-1631-22	Female Contact - Socket, Gold-plated	16	22-24	Machined
AT60-202-16141-22	Male Contact - Pin, Nickel-plated	16	22-24	Machined
AT62-201-16141-22	Female Contact - Socket, Nickel-plated	16	22-24	Machined

Tooling - Machined Contacts		
Part	Part Number	Description
	CA-5D12	Universal Hand Crimp Tool, Size 12/16/20 (Machined contacts only)
	CA-5E12	Pneumatic Crimp Tool, Size 12/16/20 (Machined contacts only)

Contact Removal Tools		
Part	Part Number	Description
	ATRT-100	Used for removal of contacts for A Series™ products
	AT11-310-1605	Contact Removal Tool, Plastic, Size 16

Sealing Plugs		
Part	Part Number	Description
	A114017	Sealing Plug, Size 16, White
	A114017-SR	Sealing Plug, Size 16, SR01 Series, Black
	AT13-217-1605	Locking Sealing Plug, Size 16, Grey
	AT13-217-1605-SR	Locking Sealing Plug, Size 16, SR01 Series, Red

Stamped & Formed Contacts, Sockets & Pins				
Part Number	Description	Size	AWG	Type
AT60-14-0144	Male Contact - Pin, Gold-plated	16	14-16	Stamped & Formed
AT62-14-0144	Female Contact - Socket, Gold-plated	16	14-16	Stamped & Formed
AT60-14-0122	Male Contact - Pin, Nickel-plated	16	14-16	Stamped & Formed
AT62-14-0122	Female Contact - Socket, Nickel-plated	16	14-16	Stamped & Formed
AT60-16-0144	Male Contact - Pin, Gold-plated	16	16-18	Stamped & Formed
AT62-16-0144	Female Contact - Socket, Gold-plated	16	16-18	Stamped & Formed
AT60-16-0122	Male Contact - Pin, Nickel-plated	16	16-18	Stamped & Formed
AT62-16-0122	Female Contact - Socket, Nickel-plated	16	16-18	Stamped & Formed
AT60-16-0644	Male Contact - Pin, Gold-plated	16	18-20	Stamped & Formed
AT62-16-0644	Female Contact - Socket, Gold-plated	16	18-20	Stamped & Formed
AT60-16-0622	Male Contact - Pin, Nickel-plated	16	18-20	Stamped & Formed
AT62-16-0622	Female Contact - Socket, Nickel-plated	16	18-20	Stamped & Formed
AT60-16-0844	Male Contact - Pin, Gold-plated	16	20-22	Stamped & Formed
AT62-16-0844	Female Contact - Socket, Gold-plated	16	20-22	Stamped & Formed
AT60-16-0822	Male Contact - Pin, Nickel-plated	16	20-22	Stamped & Formed
AT62-16-0822	Female Contact - Socket, Nickel-plated	16	20-22	Stamped & Formed

Tooling - Stamped & Formed Contacts		
Part	Part Number	Description
	MFY-3950	Crimp Die - Size 16, 18-20AWG (S&F contacts only)
	MFY-3953	Crimp Die - Size 16, 16-18AWG (S&F contacts only)
	MFY-3975	Crimp Die - Size 16, 14-16AWG (S&F contacts only)
	MFY-3990	Crimp Die - Size 16, 20-22AWG (S&F contacts only)
	ATT-16-00	Hand Crimp Tool - Size 16, 14-16AWG (S&F contacts only)
	ATT-16-01	Hand Crimp Tool - Size 16, 18-20AWG (S&F contacts only)
	ATT-1612-03	Hand Crimp Tool - Size 16, 20-22AWG (S&F contacts only)