

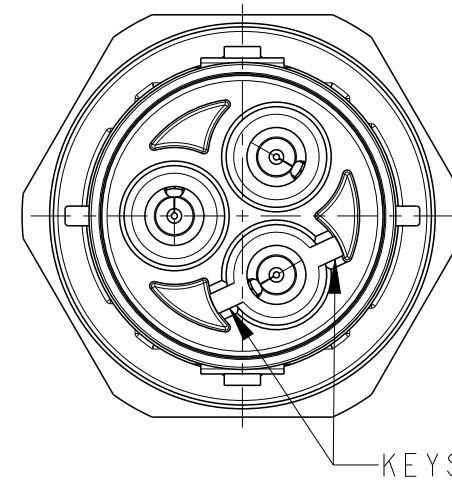
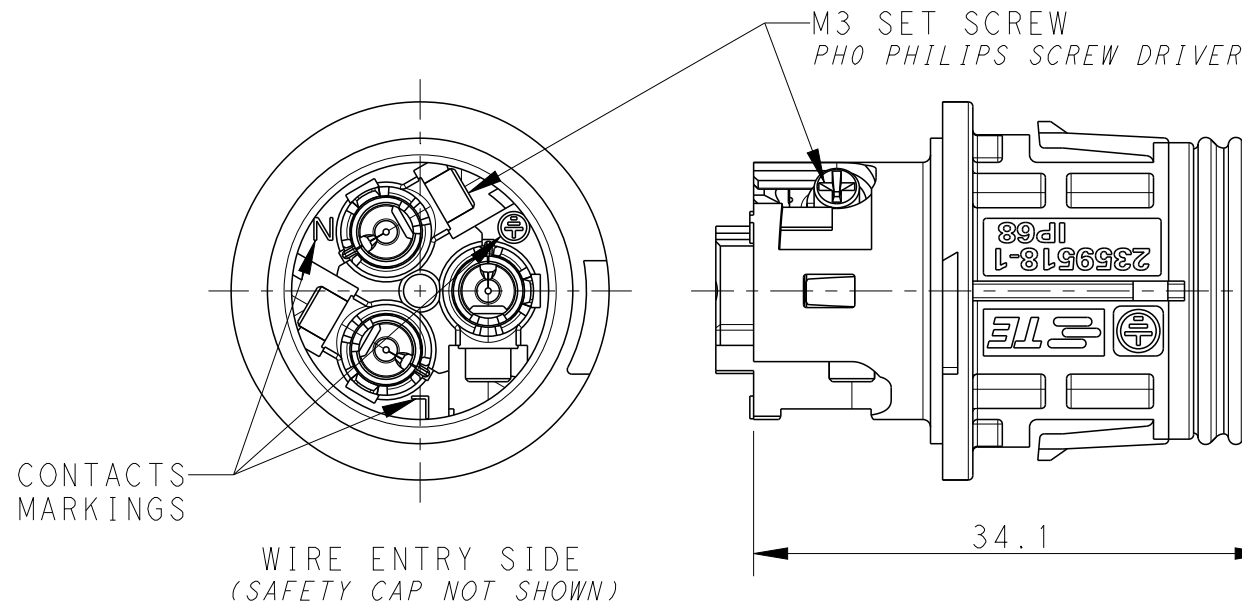
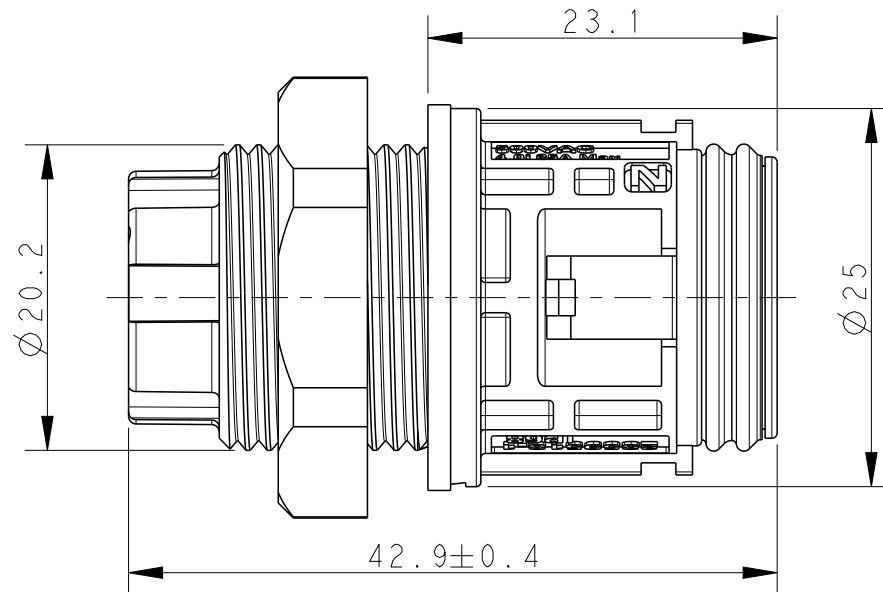
P	LTR	DESCRIPTION	DATE	DWN	APVD
1		INITIAL ISSUE	19AUG2020	SM	MZ
2		DRAFTING UPDATES	03SEP2020	SM	MZ
A		PRODUCT UNDER TESTING	24NOV2020	SM	MZ
A1		RELEASED	18MAR2022	SM	MZ

NOTES:

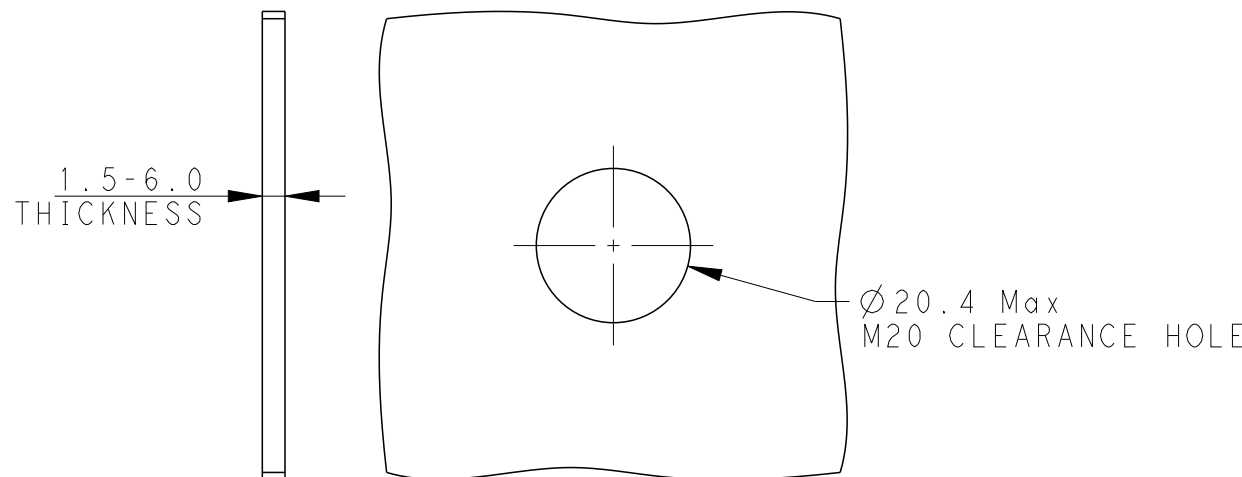
1. PART NUMBERS: 1-2359518-1 AND 1-2359518-2 ARE CRIMPED CONTACT VERSIONS. CONTACTS SUPPLIED SEPARATELY ON REELS, MUST PURCHASED ACCORDING TO WIRE SIZES. BELOW ARE THE CONTACT PART NUMBERS:

CONTACT P/N	WIRE SIZE
2359528-1	1.5mm ² TO 2.5mm ² 16AWG TO 14AWG
2359528-2	4.0mm ² 12AWG
2359528-3	18AWG

- MATERIALS:
PLASTICS: PBT+PC ALLOY, UL-V0, UV-F1
CONTACTS: COPPER ALLOY, TIN PLATED
SCREWS : STAINLESS STEEL
- OPERATING RATINGS :
VOLTAGE (max): 600Vac Max
CURRENT (max): 25A ON 4.0mm² & 20A ON 12AWG
TEMPERATURE : -40°C TO 85°C
IP RATING : IP67 & IP68
- FOR ASSEMBLY INSTRUCTIONS, REFER APPLICATION SPECIFICATION 114-133123
- PACKAGING: PPQ 200 pcs IN PE BAG



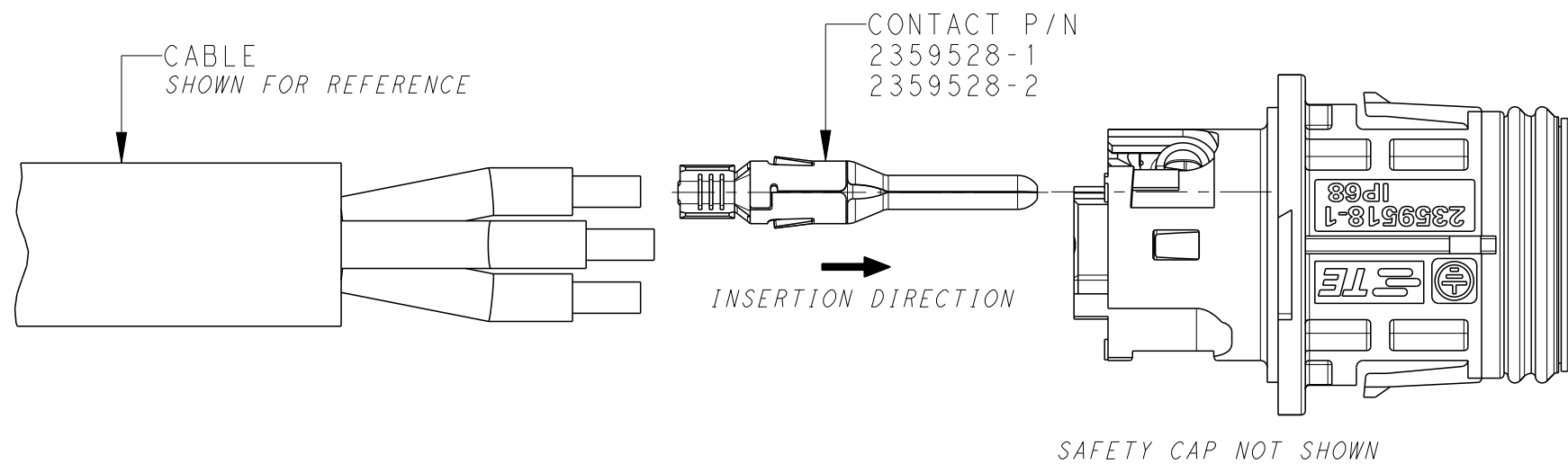
PANEL CUT-OUT RECOMMENDED SIZE



KEY	TERMINATION TYPE	DESCRIPTION	PART NUMBER
KEY B	CRIMP	PANEL MOUNT PIN CONNECTOR	1-2359518-2
KEY A			1-2359518-1
KEY B	SCREW		2359518-2
KEY A			2359518-1

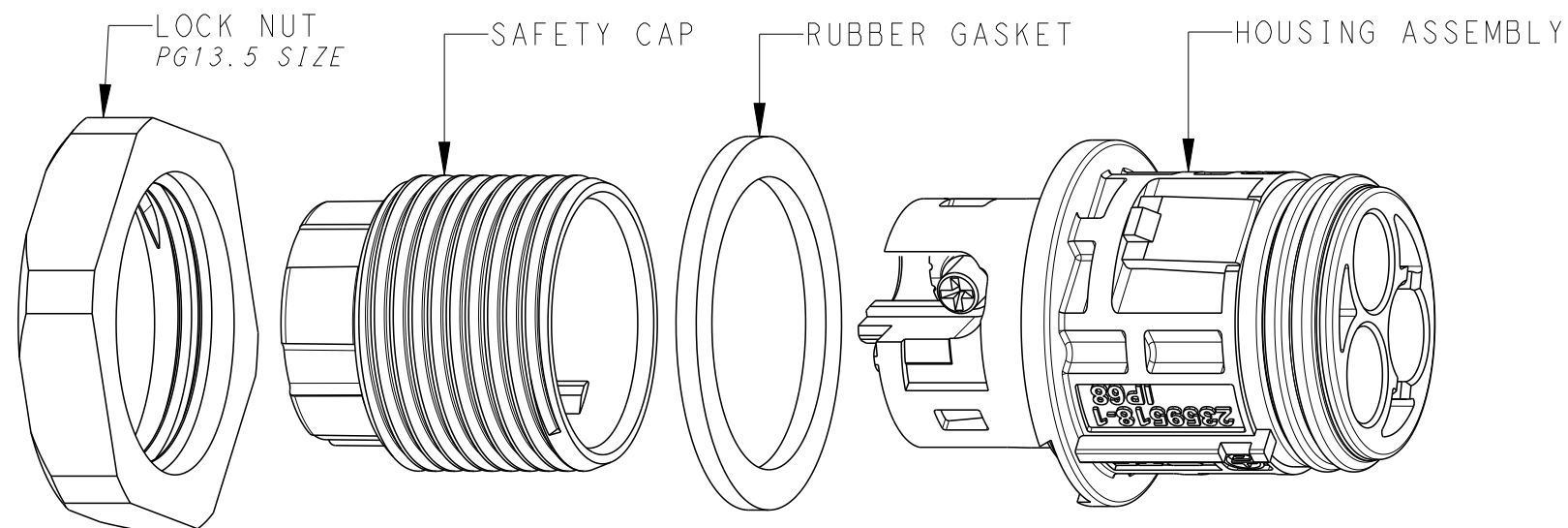
THIS DRAWING IS A CONTROLLED DOCUMENT.		DWN SUBHASH.M 19AUG2020	TE Connectivity	
DIMENSIONS: mm		CHK M. ZUCCA 03SEP2020		
TOLERANCES UNLESS OTHERWISE SPECIFIED:		APVD PETER.OTT 24NOV2020	NAME NECTOR T, 3Pos, PIN CONNECTOR PANEL MOUNT	
0 PLC ±0.2		PRODUCT SPEC 108-133123	SIZE A3	
1 PLC ±0.2		APPLICATION SPEC 114-133123	CAGE CODE 00779	DRAWING NO C-2359518
2 PLC ±0.1		WEIGHT -	RESTRICTED TO -	
3 PLC ±-		CUSTOMER DRAWING	SCALE 2:1	SHEET 1 OF 2
4 PLC ±-			REV A1	
ANGLES ±1°				
FINISH -				

CRIMP TERMINATION TYPE
 1-2359518-1 & 1-2359518-2
 REFER 114-133123 FOR DETAILED INSTRUCTION



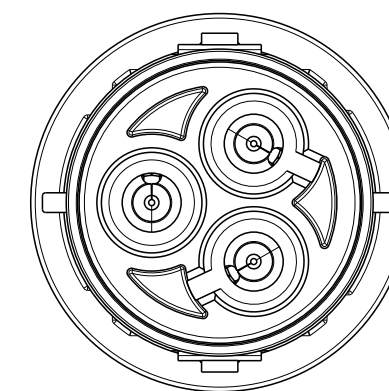
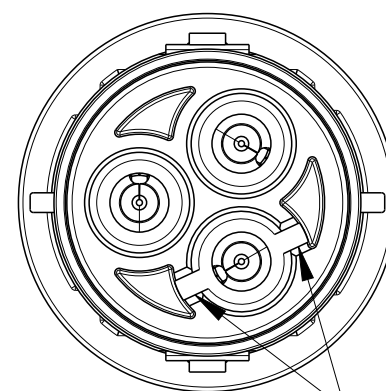
REVISIONS					
P	LTR	DESCRIPTION	DATE	DWN	APVD
-		SEE SHEET 1	-	-	-

EXPLODED COMPONENTS



POLARIZING KEY A
 2359518-1
 1-2359518-1

POLARIZING KEY B
 2359518-2
 1-2359518-2



KEYS

THIS DRAWING IS A CONTROLLED DOCUMENT.

DIMENSIONS: mm	TOLERANCES UNLESS OTHERWISE SPECIFIED:
	0 PLC ±0.2
	1 PLC ±0.2
	2 PLC ±0.1
	3 PLC ±
	4 PLC ±
	ANGLES ±°
MATERIAL	FINISH
-	-
-	-

DWN	19AUG2020
SUBHASH.M	
CHK	03SEP2020
M. ZUCCA	
APVD	24NOV2020
PETER.OTT	
PRODUCT SPEC	108-133123
APPLICATION SPEC	114-133123
WEIGHT	-
CUSTOMER DRAWING	

		NAME		RESTRICTED TO
		NECTOR T, 3Pos, PIN CONNECTOR PANEL MOUNT		
SIZE	CAGE CODE	DRAWING NO		
A3	00779	C-2359518		
SCALE		SHEET	OF	REV
2:1		2	2	A1