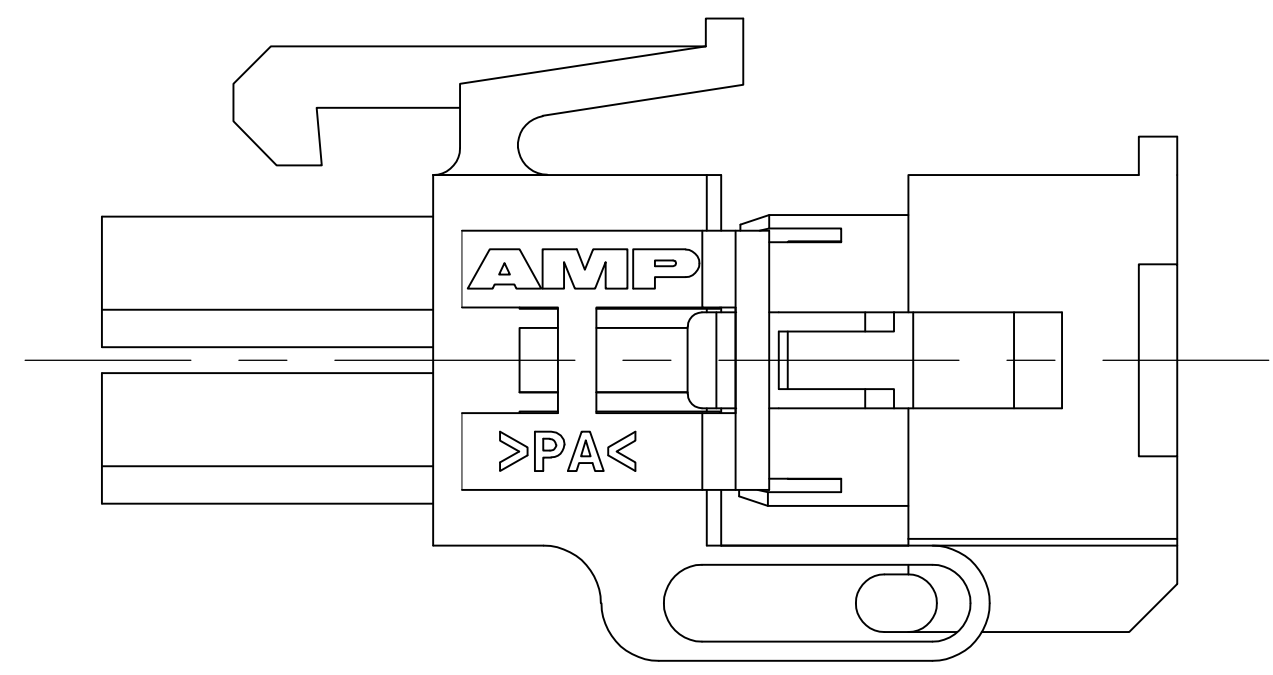
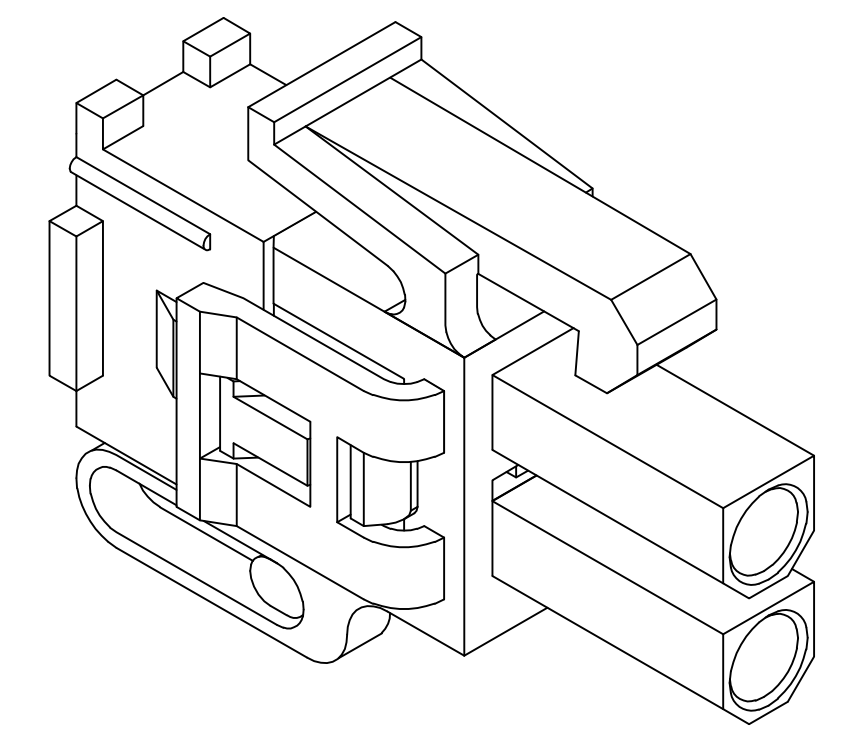
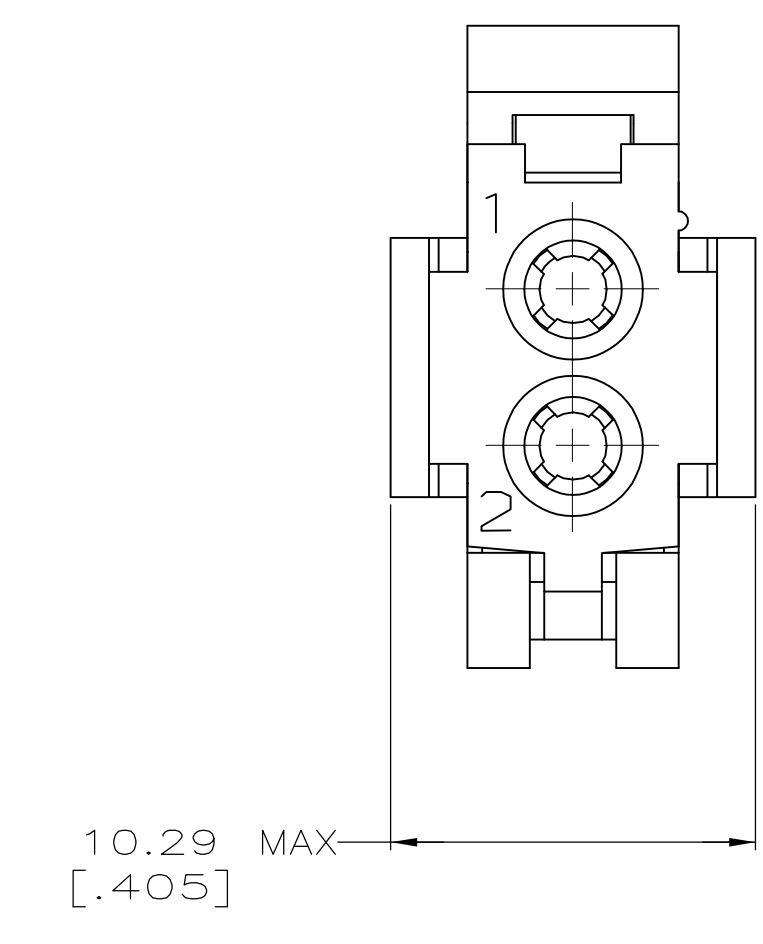
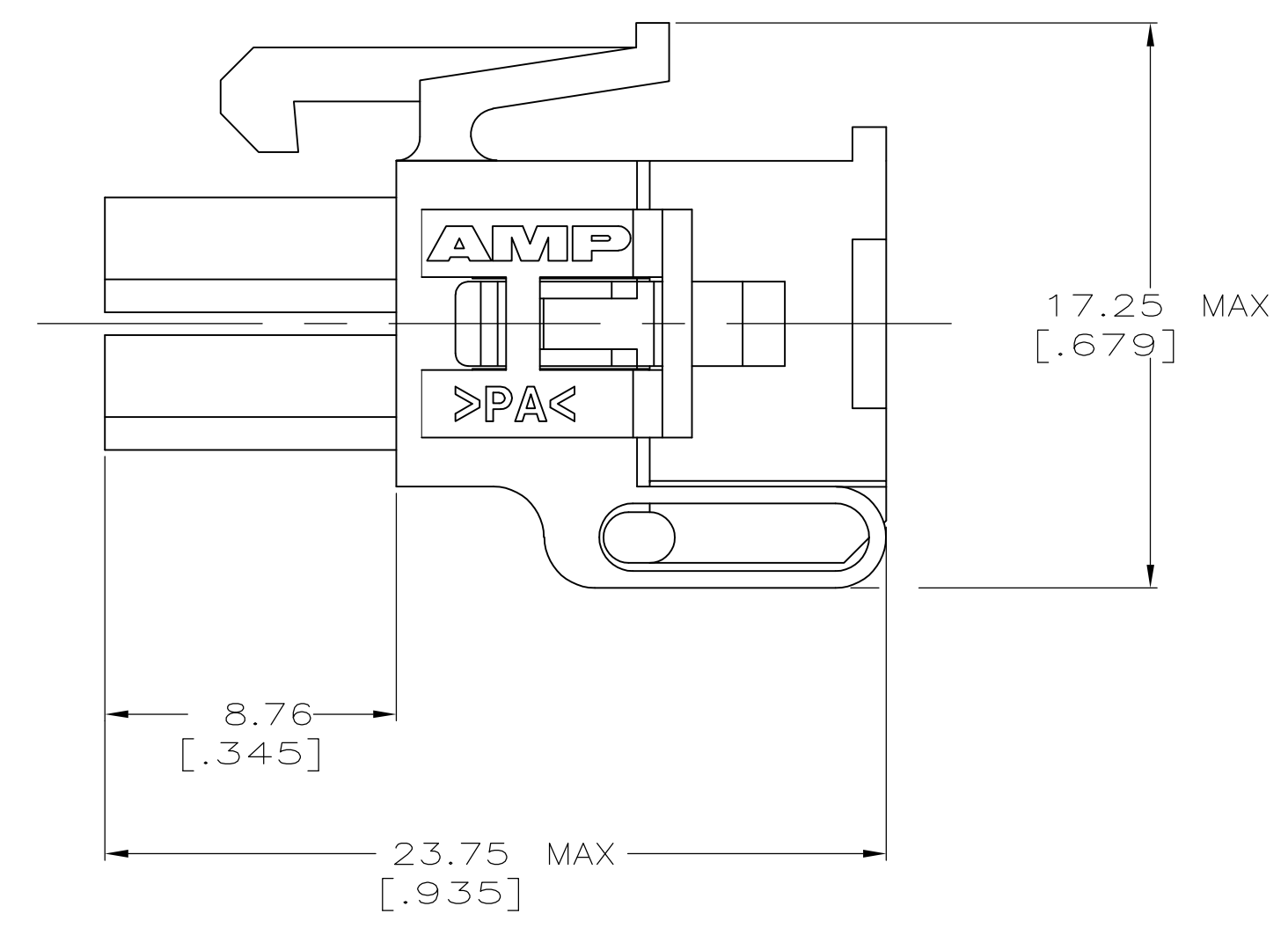
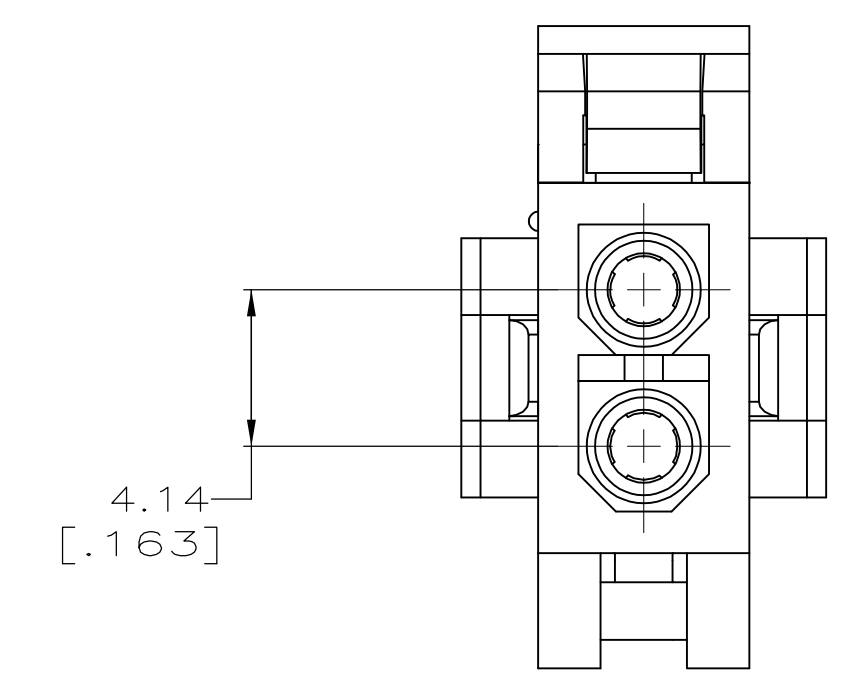


LOC		DIST		REVISIONS			
P	LTR	DESCRIPTION	DATE	DWN	APVD		
C1		REVISED PER ECO-11-005027	11MAR11	RK	HMR		



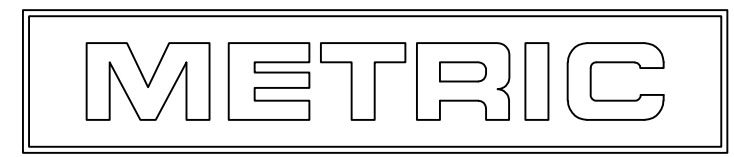
PRE-STAGED CONDITION

1. DIMENSIONS IN BRACKETS ARE IN INCHES.



3-DIMENSIONAL MODEL
NTS

794184-1
PART NUMBER



THIS DRAWING IS A CONTROLLED DOCUMENT.		DWN K. WHITAKER 5-09-97	TE Connectivity
DIMENSIONS: MM(INCHES)		CHK R. SWING 5-09-97	
TOLERANCES UNLESS OTHERWISE SPECIFIED:		APP'D R. ORSTAD 5-09-97	NAME
0. PLC ± -			PLUG, 2 CIRCUIT, MINI UNIVERSAL MATE-N-LOK™ 2
1. PLC ± -			PRODUCT SPEC
2. PLC ± 0.13[.005]			APPLICATION SPEC
3. PLC ± -			SIZE CAGE CODE DRAWING NO
4. PLC ± -			A1 00779 C=794184
ANGLES ± 0° 30'			RESTRICTED TO
MATERIAL NYLON, UL 94V-0,NATURAL	FINISH -	WEIGHT -	CUSTOMER DRAWING
		SCALE 5:1	SHEET 1 OF 1
		REV C1	