

# **ADSDeSer-50EVM**

## ***Evaluation Module***

# *User's Guide*

## IMPORTANT NOTICE

Texas Instruments Incorporated and its subsidiaries (TI) reserve the right to make corrections, modifications, enhancements, improvements, and other changes to its products and services at any time and to discontinue any product or service without notice. Customers should obtain the latest relevant information before placing orders and should verify that such information is current and complete. All products are sold subject to TI's terms and conditions of sale supplied at the time of order acknowledgment.

TI warrants performance of its hardware products to the specifications applicable at the time of sale in accordance with TI's standard warranty. Testing and other quality control techniques are used to the extent TI deems necessary to support this warranty. Except where mandated by government requirements, testing of all parameters of each product is not necessarily performed.

TI assumes no liability for applications assistance or customer product design. Customers are responsible for their products and applications using TI components. To minimize the risks associated with customer products and applications, customers should provide adequate design and operating safeguards.

TI does not warrant or represent that any license, either express or implied, is granted under any TI patent right, copyright, mask work right, or other TI intellectual property right relating to any combination, machine, or process in which TI products or services are used. Information published by TI regarding third-party products or services does not constitute a license from TI to use such products or services or a warranty or endorsement thereof. Use of such information may require a license from a third party under the patents or other intellectual property of the third party, or a license from TI under the patents or other intellectual property of TI.

Reproduction of information in TI data books or data sheets is permissible only if reproduction is without alteration and is accompanied by all associated warranties, conditions, limitations, and notices. Reproduction of this information with alteration is an unfair and deceptive business practice. TI is not responsible or liable for such altered documentation.

Resale of TI products or services with statements different from or beyond the parameters stated by TI for that product or service voids all express and any implied warranties for the associated TI product or service and is an unfair and deceptive business practice. TI is not responsible or liable for any such statements.

Following are URLs where you can obtain information on other Texas Instruments products and application solutions:

<b>Products</b>		<b>Applications</b>	
Amplifiers	<a href="http://amplifier.ti.com">amplifier.ti.com</a>	Audio	<a href="http://www.ti.com/audio">www.ti.com/audio</a>
Data Converters	<a href="http://dataconverter.ti.com">dataconverter.ti.com</a>	Automotive	<a href="http://www.ti.com/automotive">www.ti.com/automotive</a>
DSP	<a href="http://dsp.ti.com">dsp.ti.com</a>	Broadband	<a href="http://www.ti.com/broadband">www.ti.com/broadband</a>
Interface	<a href="http://interface.ti.com">interface.ti.com</a>	Digital Control	<a href="http://www.ti.com/digitalcontrol">www.ti.com/digitalcontrol</a>
Logic	<a href="http://logic.ti.com">logic.ti.com</a>	Military	<a href="http://www.ti.com/military">www.ti.com/military</a>
Power Mgmt	<a href="http://power.ti.com">power.ti.com</a>	Optical Networking	<a href="http://www.ti.com/opticalnetwork">www.ti.com/opticalnetwork</a>
Microcontrollers	<a href="http://microcontroller.ti.com">microcontroller.ti.com</a>	Security	<a href="http://www.ti.com/security">www.ti.com/security</a>
		Telephony	<a href="http://www.ti.com/telephony">www.ti.com/telephony</a>
		Video & Imaging	<a href="http://www.ti.com/video">www.ti.com/video</a>
		Wireless	<a href="http://www.ti.com/wireless">www.ti.com/wireless</a>

Mailing Address: Texas Instruments  
Post Office Box 655303 Dallas, Texas 75265

## EVM IMPORTANT NOTICE

Texas Instruments (TI) provides the enclosed product(s) under the following conditions:

This evaluation kit being sold by TI is intended for use for **ENGINEERING DEVELOPMENT OR EVALUATION PURPOSES ONLY** and is not considered by TI to be fit for commercial use. As such, the goods being provided may not be complete in terms of required design-, marketing-, and/or manufacturing-related protective considerations, including product safety measures typically found in the end product incorporating the goods. As a prototype, this product does not fall within the scope of the European Union directive on electromagnetic compatibility and therefore may not meet the technical requirements of the directive.

Should this evaluation kit not meet the specifications indicated in the EVM User's Guide, the kit may be returned within 30 days from the date of delivery for a full refund. **THE FOREGOING WARRANTY IS THE EXCLUSIVE WARRANTY MADE BY SELLER TO BUYER AND IS IN LIEU OF ALL OTHER WARRANTIES, EXPRESSED, IMPLIED, OR STATUTORY, INCLUDING ANY WARRANTY OF MERCHANTABILITY OR FITNESS FOR ANY PARTICULAR PURPOSE.**

The user assumes all responsibility and liability for proper and safe handling of the goods. Further, the user indemnifies TI from all claims arising from the handling or use of the goods. Please be aware that the products received may not be regulatory compliant or agency certified (FCC, UL, CE, etc.). Due to the open construction of the product, it is the user's responsibility to take any and all appropriate precautions with regard to electrostatic discharge.

**EXCEPT TO THE EXTENT OF THE INDEMNITY SET FORTH ABOVE, NEITHER PARTY SHALL BE LIABLE TO THE OTHER FOR ANY INDIRECT, SPECIAL, INCIDENTAL, OR CONSEQUENTIAL DAMAGES.**

TI currently deals with a variety of customers for products, and therefore our arrangement with the user **is not exclusive**.

TI assumes **no liability for applications assistance, customer product design, software performance, or infringement of patents or services described herein**.

Please read the EVM User's Guide and, specifically, the EVM Warnings and Restrictions notice in the EVM User's Guide prior to handling the product. This notice contains important safety information about temperatures and voltages. For further safety concerns, please contact the TI application engineer.

Persons handling the product must have electronics training and observe good laboratory practice standards.

No license is granted under any patent right or other intellectual property right of TI covering or relating to any machine, process, or combination in which such TI products or services might be or are used.

Mailing Address:

Texas Instruments  
Post Office Box 655303  
Dallas, Texas 75265

## **EVM WARNINGS AND RESTRICTIONS**

It is important to operate this EVM within the specified input and output ranges described in the EVM User's Guide.

Exceeding the specified input range may cause unexpected operation and/or irreversible damage to the EVM. If there are questions concerning the input range, please contact a TI field representative prior to connecting the input power.

Applying loads outside of the specified output range may result in unintended operation and/or possible permanent damage to the EVM. Please consult the EVM User's Guide prior to connecting any load to the EVM output. If there is uncertainty as to the load specification, please contact a TI field representative.

During normal operation, some circuit components may have case temperatures greater than 60°C. The EVM is designed to operate properly with certain components above 60°C as long as the input and output ranges are maintained. These components include but are not limited to linear regulators, switching transistors, pass transistors, and current sense resistors. These types of devices can be identified using the EVM schematic located in the EVM User's Guide. When placing measurement probes near these devices during operation, please be aware that these devices may be very warm to the touch.

### Mailing Address:

Texas Instruments  
Post Office Box 655303  
Dallas, Texas 75265

# Read This First

---

---

---

---

### ***About This Manual***

This manual describes the ADSDeSer-50EVM evaluation fixture and how to use it. Throughout this document, the abbreviation EVM and the term *evaluation module* are synonymous with the ADSDeSer-50EVM.

### ***Related Documentation From Texas Instruments***

The following documents provide information regarding Texas Instruments integrated circuits used in the assembly of the ADSDeSer-50EVM. These documents are available from the TI web site. The last character of the literature number corresponds to the document revision, which is current at the time of the writing of this User's Guide. To obtain a copy of the following TI documents, visit our website at <http://www.ti.com/> or call the Texas Instruments Literature Response Center at (800) 477-8924 or the Product Information Center at (972) 644-5580. When ordering, identify the document by both title and literature number.

<b>Data sheet</b>	<b>Literature number</b>
ADS5270/71 Data Sheet	SBAS293
ADS5275/76 Data Sheet	SBAS300

### ***If You Need Assistance***

If you have questions regarding either the use of this evaluation module or the information contained in the accompanying documentation, please contact the Texas Instruments Product Information Center at (972) 644-5580 or visit the TI web site at [www.ti.com](http://www.ti.com).

### ***FCC Warning***

This equipment is intended for use in a laboratory test environment only. It generates, uses, and can radiate radio frequency energy and has not been tested for compliance with the limits of computing devices pursuant to subpart J of part 15 of FCC rules, which are designed to provide reasonable protection against radio frequency interference. Operation of this equipment in other environments may cause interference with radio communications, in which case the user at his own expense will be required to take whatever measures may be required to correct this interference.

### ***Trademarks***

All trademarks are the property of their respective owners.

# Contents

---

---

---

<b>1</b>	<b>Overview</b> .....	<b>1-1</b>
1.1	Introduction .....	1-2
1.2	Features .....	1-2
1.3	Power Supply .....	1-3
1.4	Indicators .....	1-3
<b>2</b>	<b>Board Configuration</b> .....	<b>2-1</b>
2.1	I/O Connectors .....	2-2
2.1.1	Input .....	2-2
2.1.2	JTAG .....	2-2
2.1.3	FPGA and PROM Bypass and Configuration .....	2-3
2.1.4	FPGA Configuration Pins .....	2-4
2.1.5	Pushbuttons .....	2-4
2.1.6	Output Connectors .....	2-5
2.2	Start-up Sequence .....	2-6
<b>3</b>	<b>Schematic and Layout</b> .....	<b>3-1</b>
3.1	Board Layout .....	3-2
3.2	Schematic .....	3-7
3.3	Bill of Materials .....	3-8

# Figures

---

---

---

2-1.	ADSDeSer-50EVM Overview	2-2
2-2.	Default and Alternate Configurations for Programming the ADSDeSer-50EVM	2-3
2-3.	Default Configurations for FPGA Pins on the ADSDeSer-50EVM	2-4
2-4.	Output Connectors for the ADSDeSer-50EVM	2-5
2-5.	Orientation of Ground Connections for the ADSDeSer-50EVM	2-5
3-1.	ADSDeSer-50EVM—Layer 1 (Top)	3-2
3-2.	ADSDeSer-50EVM—Layer 2 (Power)	3-3
3-3.	ADSDeSer-50EVM—Layer 3 (Mid Signal)	3-4
3-4.	ADSDeSer-50EVM—Layer 4 (Ground)	3-5
3-5.	ADSDeSer-50EVM—Layer 5 (Bottom)	3-6
3-6.	ADSDeSer-50EVM—Schematic	3-7

# Tables

---

---

---

1-1.	A/D Converter Models Supported by the ADSDeSer-50EVM	1-2
3-1.	Bill of Materials	3-8



# Overview

---

---

---

---

The ADSDeSer-50EVM is an evaluation fixture designed for the ADS527x family of data converters. It is an eight-channel LVDS deserializer.

<b>Topic</b>	<b>Page</b>
<b>1.1 Introduction</b> .....	<b>1-2</b>
<b>1.2 Features</b> .....	<b>1-2</b>
<b>1.3 Power Supply</b> .....	<b>1-3</b>
<b>1.4 Indicators</b> .....	<b>1-3</b>

## 1.1 Introduction

The ADSDeSer-50EVM is designed to interface to the TI low voltage differential signal (LVDS) output data converters with an operating frequency of up to 50MHz and up to eight simultaneous data channels. The ADSDeSer-50EVM provides an easy way to examine the serialized data output from the serialized LVDS data converters by deserializing the data and converting to a standard parallel data port. Since there is no clock embedded, a synchronous clock output is provided separately, along with the eight channels of data.

The ADSDeSer-50EVM evaluation board will support the analog-to-digital converter (ADC) models listed in Table 1–1.

*Table 1–1. A/D Converter Models Supported by the ADSDeSer-50EVM*

<b>Model</b>	<b>Features</b>	<b>LVDS Channel Data Rate</b>
ADS5270	12-bit, 40MSPS, 8-Channel	480MBPS
ADS5271	12-bit, 50MSPS, 8-Channel	600MBPS
ADS5275	10-bit, 40MSPS, 8-Channel	480MBPS
ADS5276	10-bit, 50MSPS, 8-Channel	600MBPS

## 1.2 Features

- Deserialize up to eight simultaneous channels of 10- and 12-bit data.
- Operates with LVDS output data converters up to 50MSPS.
- Clock signal is synchronous with data output.

### **1.3 Power Supply**

The ADSDeSer-50EVM requires two supplies for operation: a +3.3V supply for the main board power, and a +1.8V to +3.3V supply for the output driver supply. An onboard regulator supplies +1.5V to power the FPGA.

### **1.4 Indicators**

There are two LEDs on the board. DS1 is used to show the board has power applied. DS2 is used to indicate when the PROM has finished downloading the stored program to the FPGA.

# Board Configuration

---

---

---

---

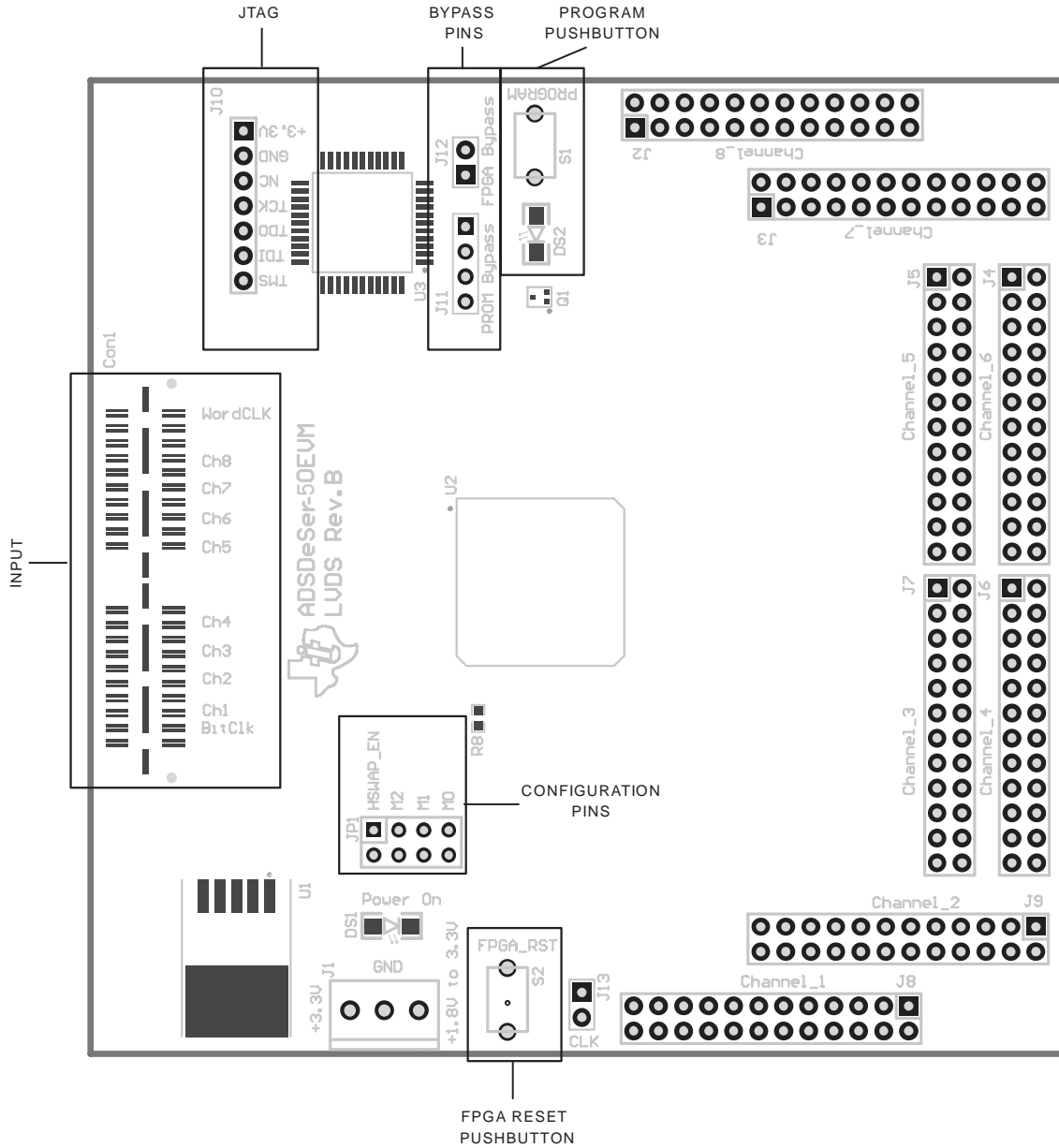
This chapter describes the inputs, controls, and circuit design of the ADSDeSer-50EVM in detail.

<b>Topic</b>	<b>Page</b>
<b>2.1 I/O Connectors</b> .....	<b>2-2</b>
<b>2.2 Start-up Sequence</b> .....	<b>2-6</b>

## 2.1 I/O Connectors

The positions and functions of the ADSDeSer-50EVM connectors are discussed in the following sections.

Figure 2–1. ADSDeSer-50EVM Overview



### 2.1.1 Input

The input connector (Con1) is used to connect one of the ADS527xEVM LVDS output converter boards to the DeSer-50EVM.

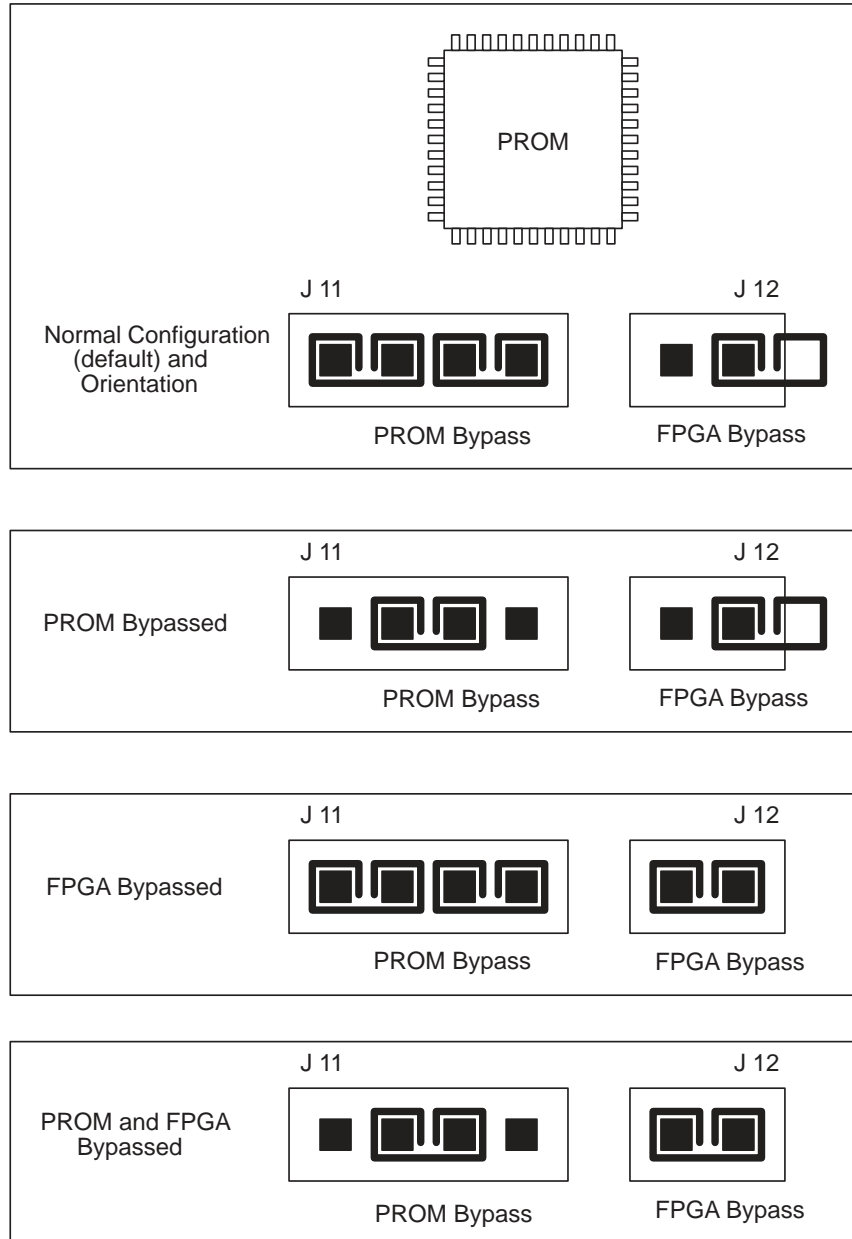
### 2.1.2 JTAG

J10 is the JTAG port. This connection is used to program the onboard PROM and access the FPGA directly by using J11 and J12.

### 2.1.3 FPGA and PROM Bypass and Configuration

J11 and J12 can be used to bypass the PROM and/or bypass the FPGA when programming. The following diagram shows the default and different configurations for programming.

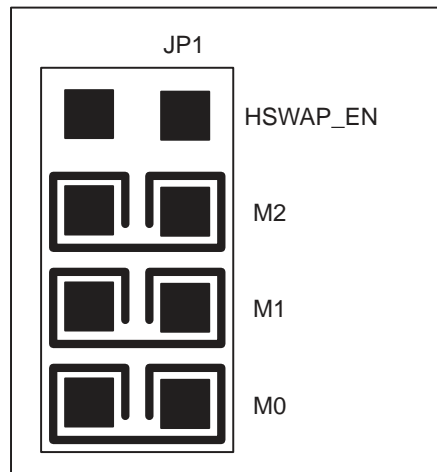
Figure 2–2. Default and Alternate Configurations for Programming the ADSDeSer-50EVM



### 2.1.4 FPGA Configuration Pins

JP1 is used to program the FPGA. The following diagram shows the default configuration. Further information on the different modes is available in the Xilinx Virtex II Handbook.

Figure 2–3. Default Configurations for FPGA Pins on the ADSDeSer-50EVM



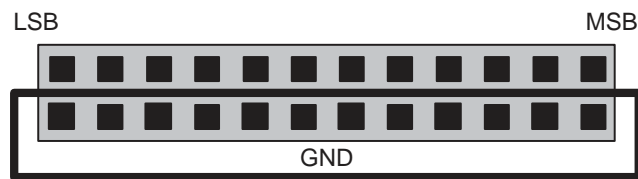
### 2.1.5 Pushbuttons

The ADSDeSer-50EVM has two pushbuttons. **S1** (PROGRAM) is used to download from the PROM to the FPGA. When the program is finished downloading, indicator DS2 will turn on. **S2** (FPGA\_RST) is used to reset the downloaded program in the FPGA.

## 2.1.6 Output Connectors

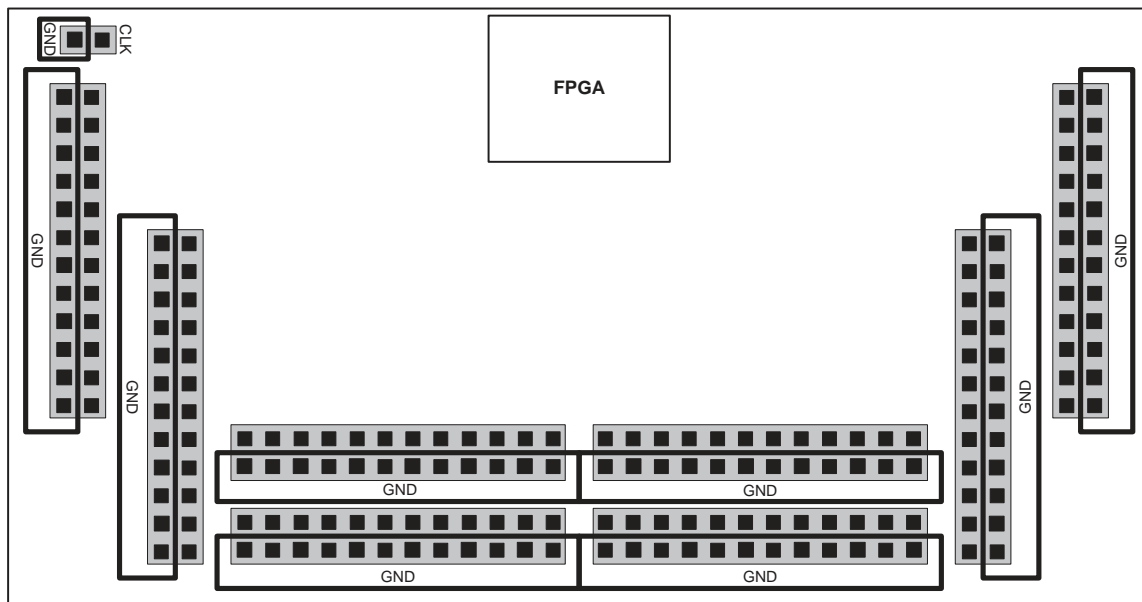
The outputs from the FPGA are not labeled for LSB and MSB. This is because of the capability of the ADS527x data converters to switch between *MSB first* or *LSB first* for the output data. This configuration is accessed in the internal registers of the ADS527x through a serial interface. Refer to the respective ADS527x datasheet and the ADS527xEVM for more details. If the standard configuration for the data converter is used, then the following diagram can be used for capturing the data.

Figure 2–4. Output Connectors for the ADSDerSer-50EVM



The next diagram shows the orientation of the ground connections with respect to the board layout.

Figure 2–5. Orientation of Ground Connections for the ADSDerSer-50EVM





## 2.2 Start-up Sequence

The startup sequence for the ADSDer-50EVM is as follows:

**Step 1:** Connect the ADC board to the input connector (Con1).

**Step 2:** Connect the clock and data outputs to a data capture system (analyzer).

**Step 3:** Apply power to the ADSDer-50EVM board and look for the Power On (DS1) LED and DS2 LED to illuminate. If DS2 does not illuminate, press the Program (S1) pushbutton. If no LEDs illuminate, contact TI customer support for help.

**Step 4:** Read data from ADSDer-50EVM.

If during operation a condition occurs that is unexplainable, press FPGA\_RST (S2) to restart the FPGA program. If the condition still persists, contact TI customer support for further assistance.

# Schematic and Layout

---

---

---

---

This chapter contains the complete printed circuit board (PCB) layout, schematic diagram, and bill of materials for the ADSSer-50EVM.

**Note:**

Board layouts are not to scale. These are intended to show how the board is laid out; they are not intended to be used for manufacturing ADSSer-50EVM PCBs.

<b>Topic</b>	<b>Page</b>
<b>3.1 Board Layout</b> .....	<b>3-2</b>
<b>3.2 Schematic</b> .....	<b>3-7</b>
<b>3.3 Bill of Materials</b> .....	<b>3-8</b>

### 3.1 Board Layout

Figure 3–1. ADSDeSer-50EVM—Layer 1 (Top)

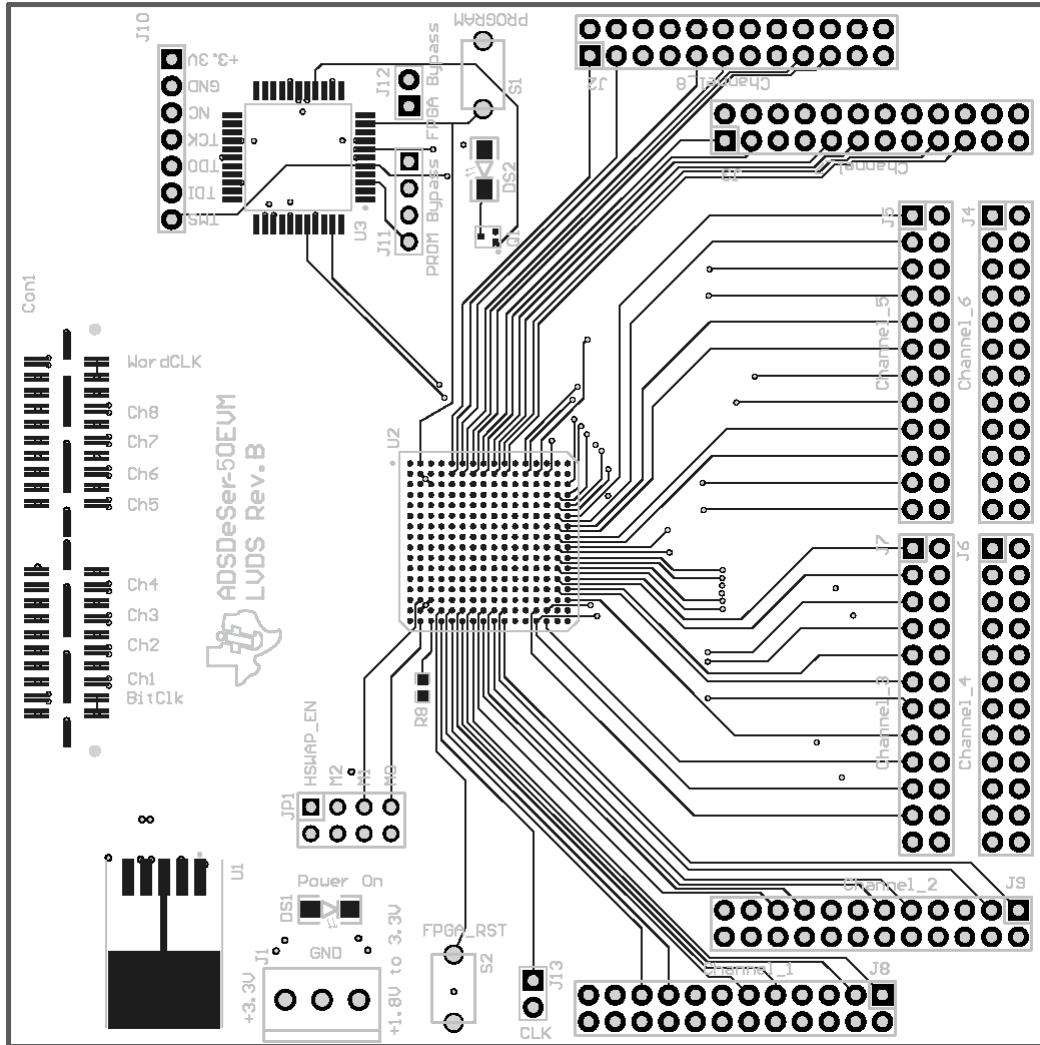


Figure 3-2. ADSDeSer-50EVM—Layer 2 (Power)

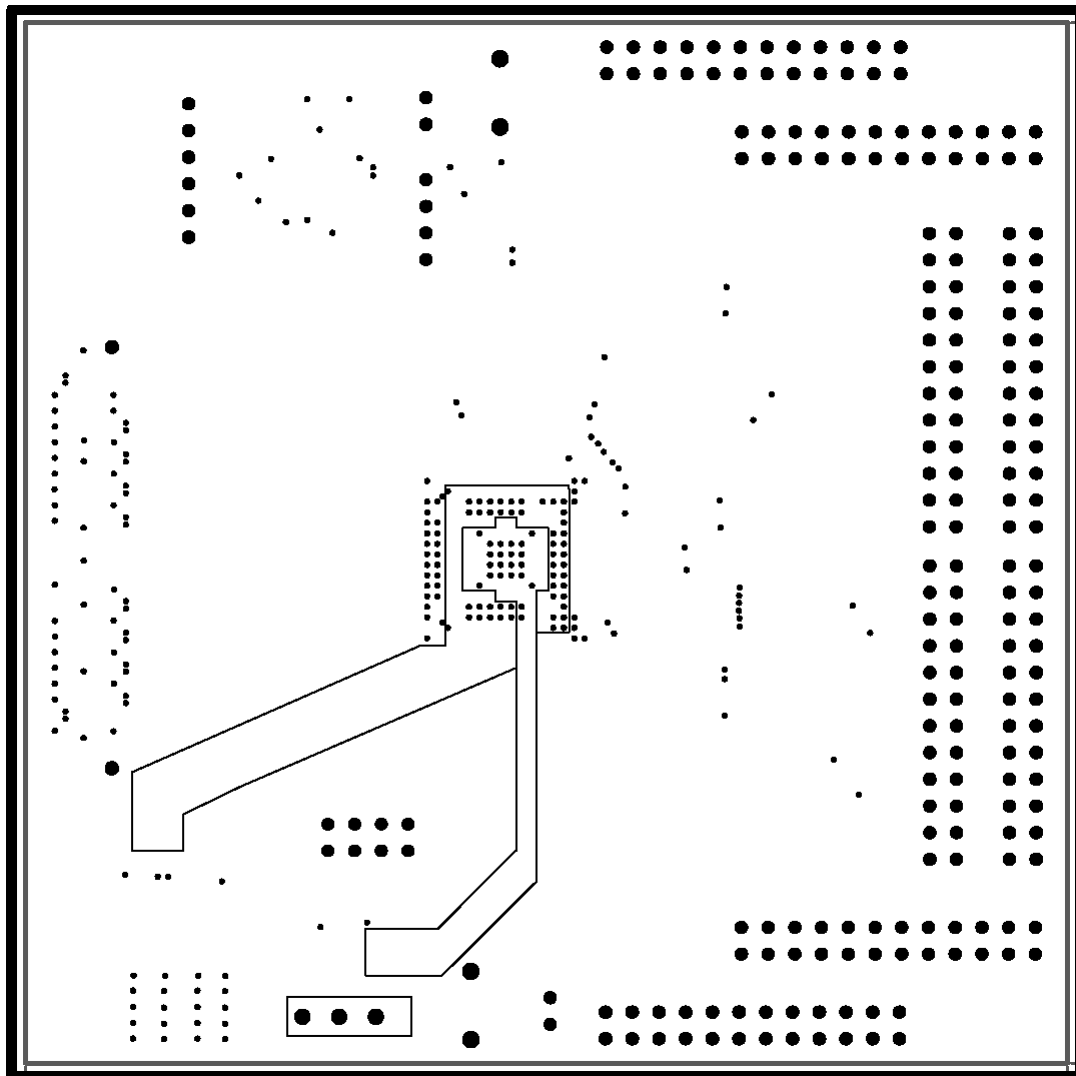


Figure 3-3. ADSDer-50EVM—Layer 3 (Mid Signal)

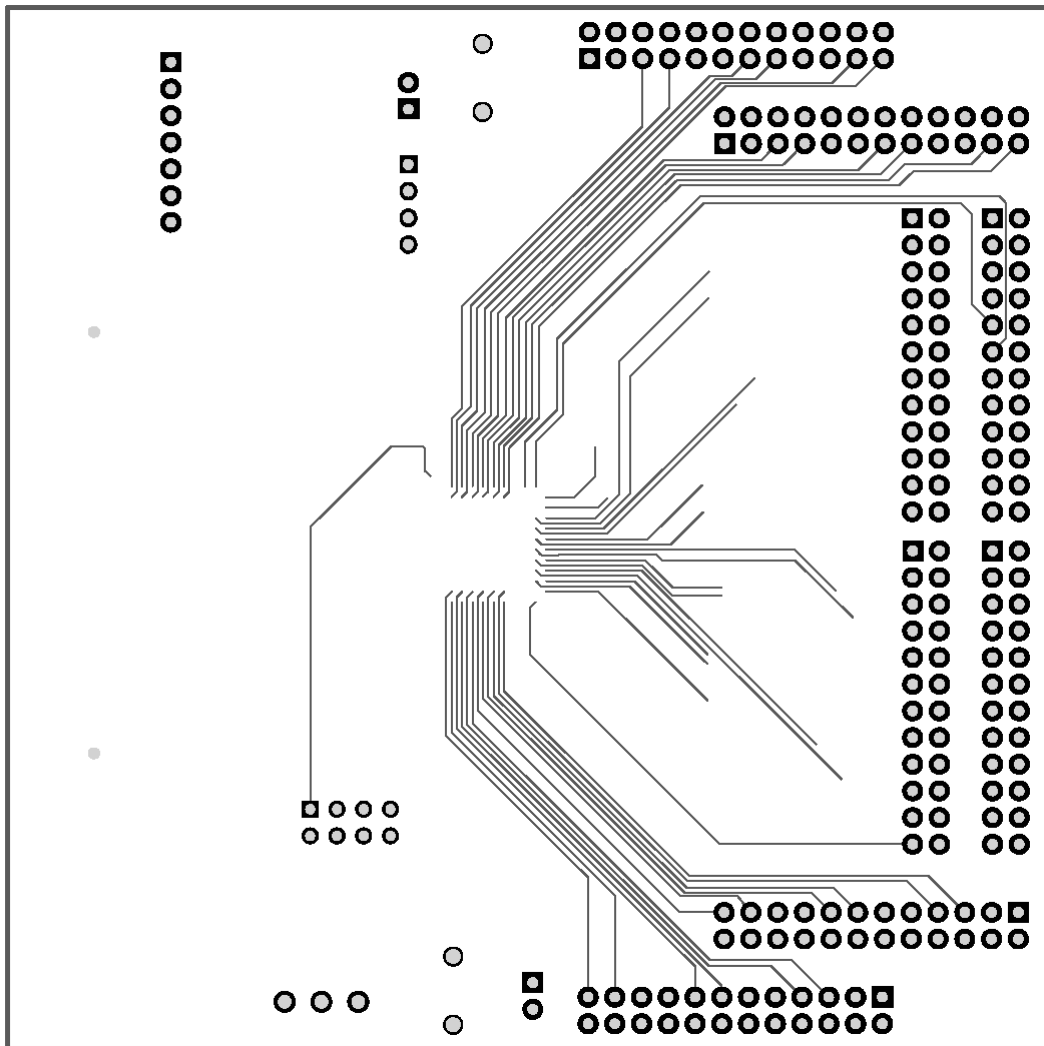


Figure 3-4. ADSDeSer-50EVM—Layer 4 (Ground)

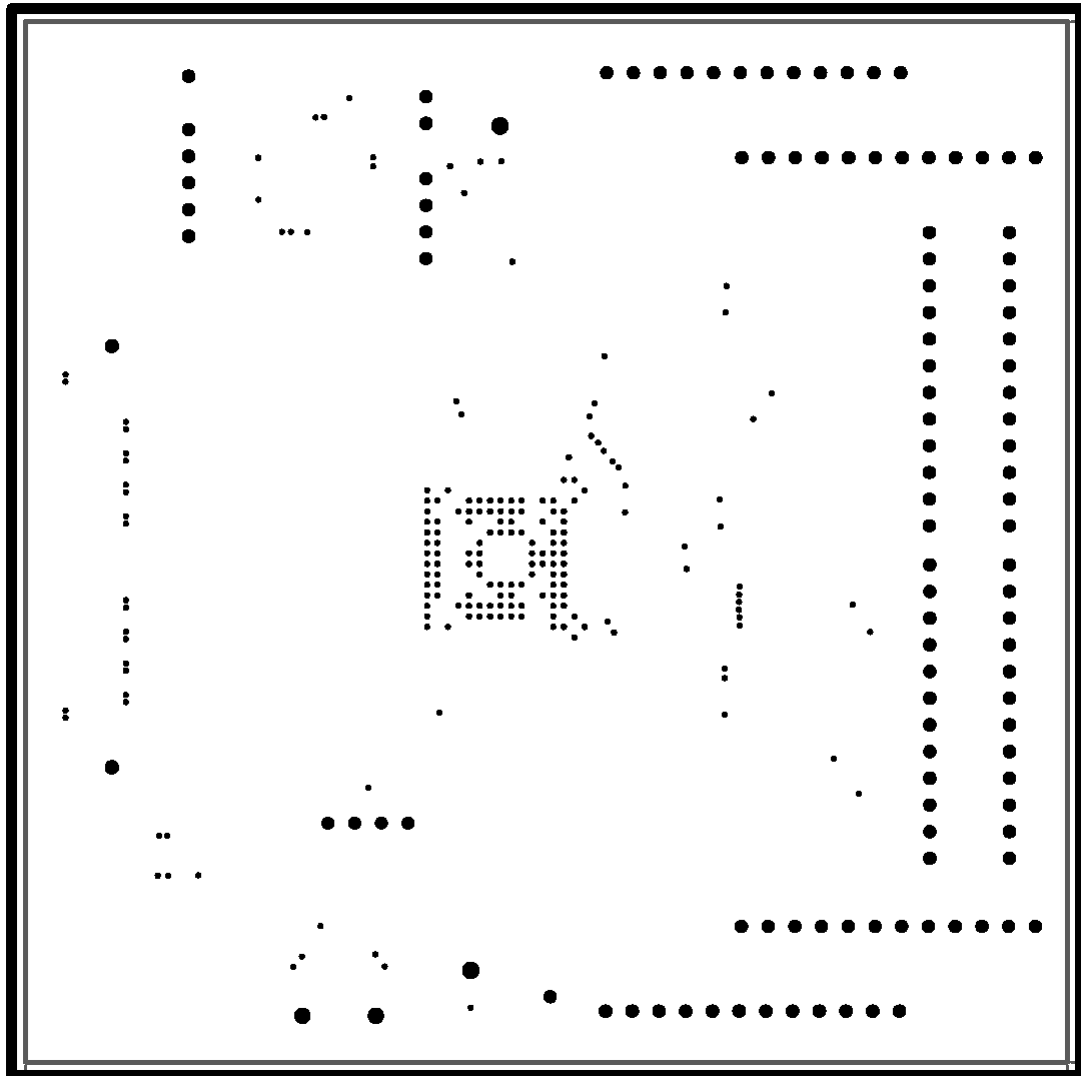
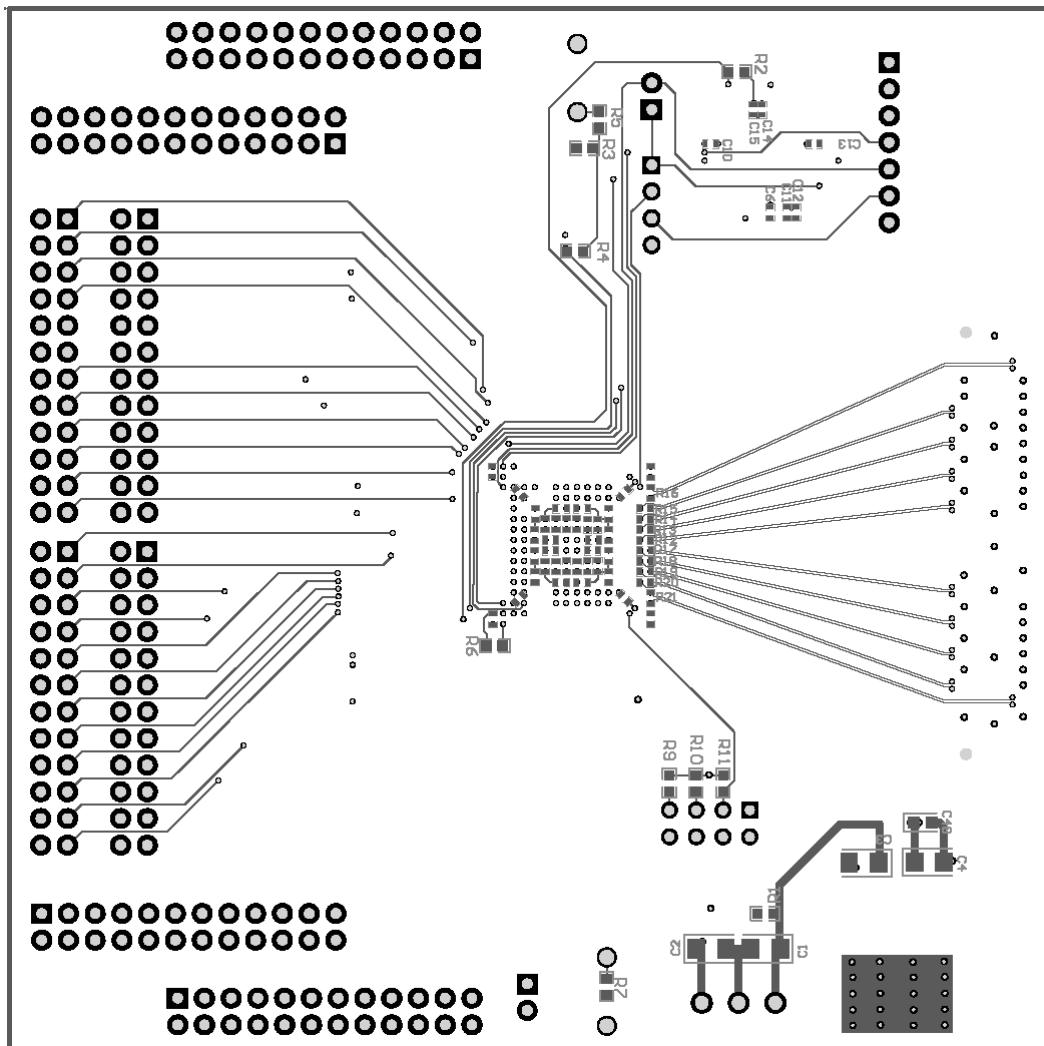
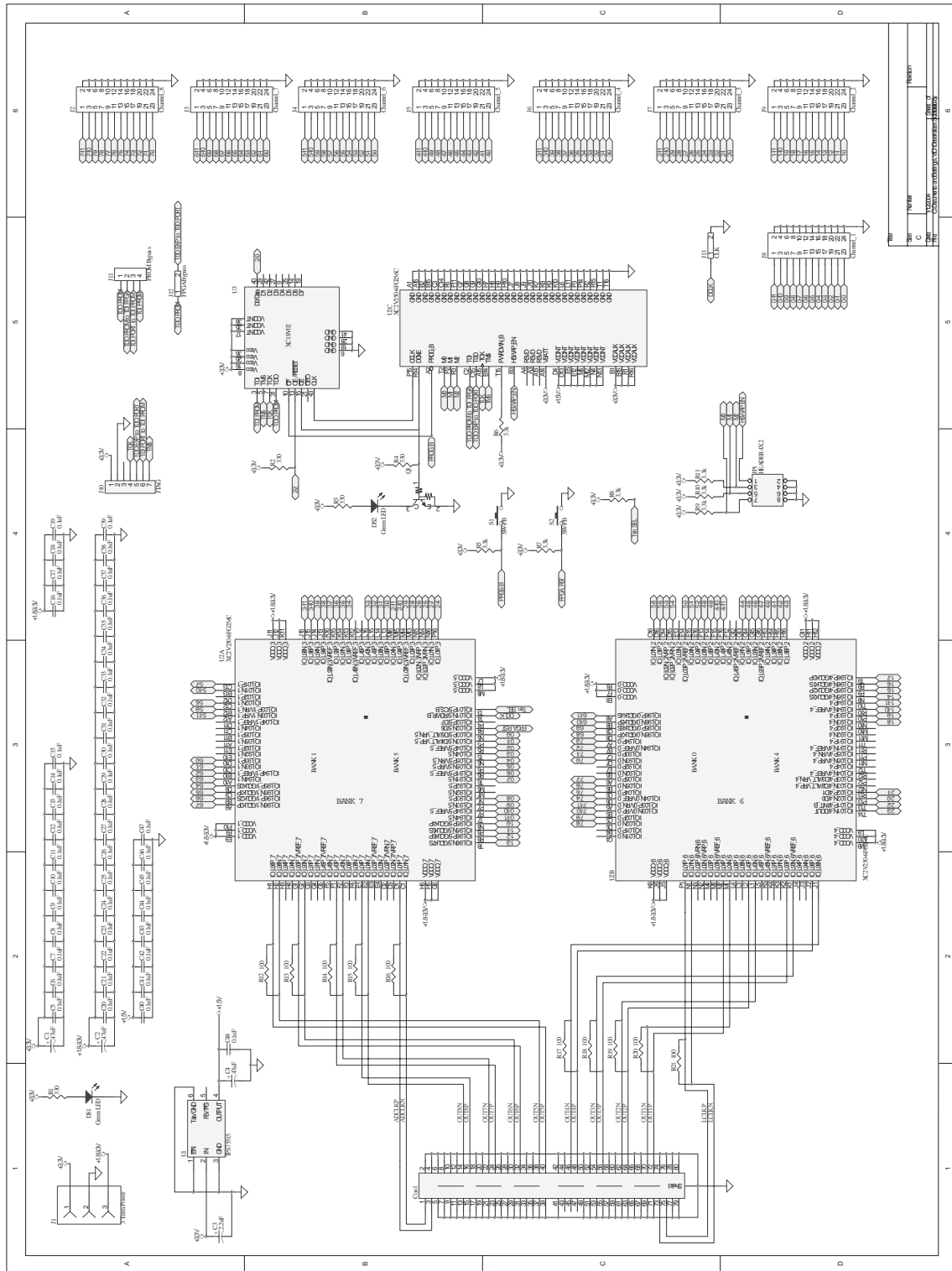


Figure 3–5. ADSDer-50EVM—Layer 5 (Bottom)



### 3.2 Schematic

Figure 3–6. ADSDeSer-50EVM—Schematic





### 3.3 Bill of Materials

Table 3–1. Bill of Materials

Quantity	Comment	Description	Reference Designator
1		Samtec QSH 040–01–L–D–DP–A	Con1
43	0.1 $\mu$ F	Multilayer Ceramic—0402 size	C5, C6, C7, C8, C9, C10, C11, C12, C13, C14, C15, C16, C17, C18, C19, C20, C21, C22, C23, C24, C25, C26, C27, C28, C29, C30, C31, C32, C33, C34, C35, C36, C37, C38, C39, C40, C41, C42, C43, C44, C45, C46, C47
1	0.1 $\mu$ F	Multilayer Ceramic—0603 size	C48
1	2.2 $\mu$ F	Tantalum Capacitor 1206 size	C3
1	3 Term Power	3 Terminal Screw Connector	J1
8	3.3k $\Omega$	0603 Chip Resistor	R5, R6, R7, R8, R9, R10, R11
10	100 $\Omega$	0402 Chip Resistor	R12, R13, R14, R15, R16, R17, R18, R19, R20, R21
3	47 $\mu$ F	AVX TAJA476K004R 3216 size Tantalum Capacitor	C1, C2, C4
3	330 $\Omega$	0603 Chip Resistor	R1, R2, R3, R4
1	CLK	0.1" Terminal strip—Square	J13
1	DTC114EET1	On Semiconductor Bias Resistor Transistor NPN	Q1
1	FPGA Bypass	0.1" Terminal strip—Square	J12
2	Green LED	Panasonic 1206 size Green LED Part No.: LNJ311G83RA	DS1, DS2
1	Header 4x2	0.1" Terminal strip—Square	JP1
1	JTAG	0.1" Terminal strip—Square RIGHT ANGLE	J10
1	PROM Bypass	0.1" Terminal strip—Square	J11
2	SW-PB	Push Button Switch Part No.: EVQ–PJB04K	S1, S2
1	TPS75515KTT	TI LDO Regulator	U1
8	Header 12x2	0.1" Terminal strip—Square	J2, J3, J4, J5, J6, J7, J8, J9
1	XC2V250-6FG256C	Xilinx Virtex–II 1.5V FPGA	U2
1	XC18V02VQ44C	Xilinx PROM	U3
5	1-382811-6	AMP 2-position shunt	