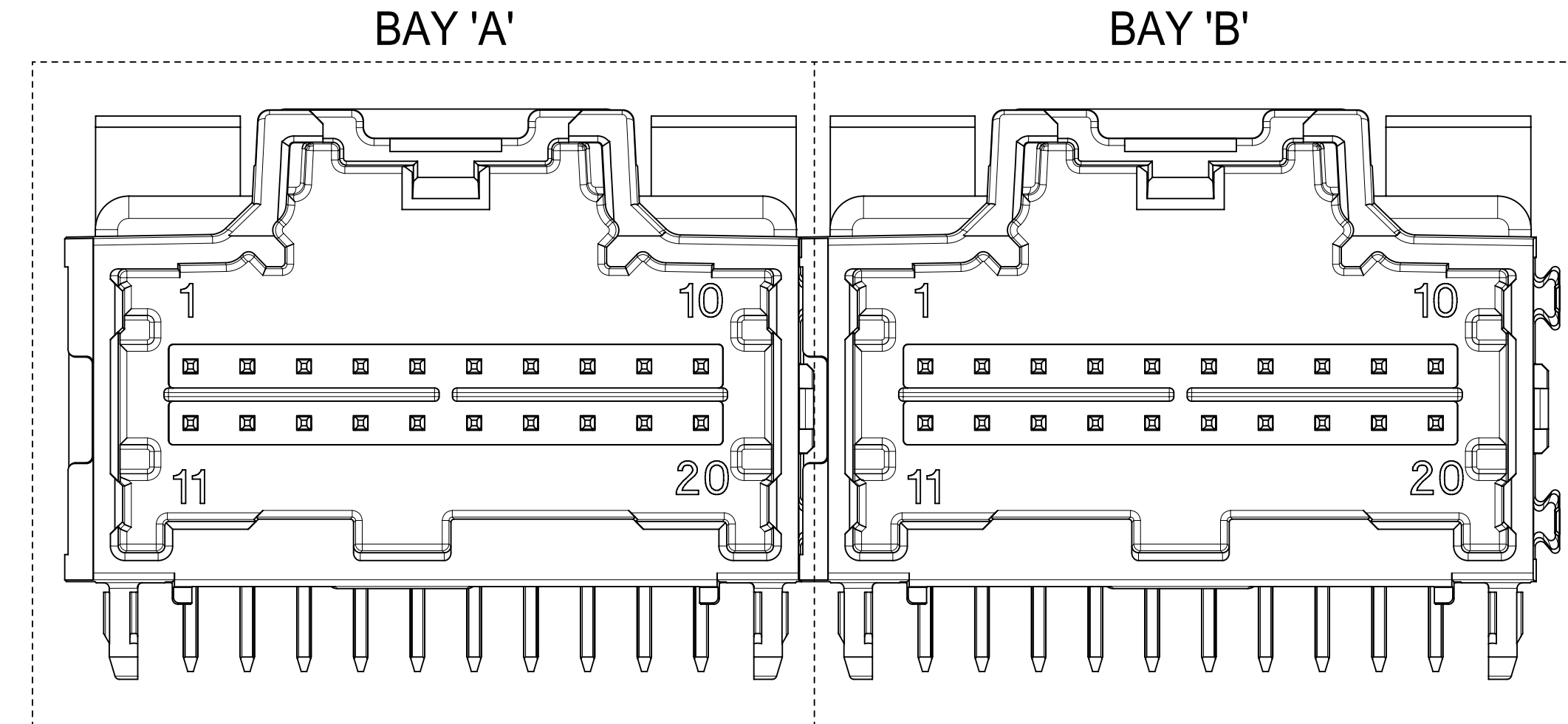


DIMENSIONAL CHART FOR MULTIBAY CONFIGURATION:

2 BAY PART NUMBER (TUBE PKG)	2 BAY PART NUMBER (TRAY PKG)	BAY A			BAY B			DIM 'A'	DIM 'B'	DIM 'C'	DIM 'D'
		CKT	TYPE	POL	CKT	TYPE	POL				
34997-7000	34997-2000	20	0.64mm	A	20	0.64mm	B	66.94	64.47	27.94	27.94
34997-7001	34997-2001	20	0.64mm	C	8	0.64mm	A	51.70	49.23	27.94	12.70
34997-7002	34997-2002	20	0.64mm	C	12	0.64mm	A	56.78	54.31	27.94	17.78
TBD	34997-2003	8	0.64mm	A	10	HYBRID	A	51.70	49.23	12.70	27.94
TBD	34997-2004	12	0.64mm	A	8	0.64mm	A	41.54	39.07	17.78	12.70
TBD	34997-2005	20	0.64mm	C	20	0.64mm	B	66.94	64.47	27.94	27.94
TBD	34997-2006	10	HYBRID	A	20	0.64mm	A	66.94	64.47	27.94	27.94
TBD	34997-2007	12	0.64mm	A	8	0.64mm	B	41.54	39.07	17.78	12.70
TBD	34997-2008	20	0.64mm	A	16	0.64mm	C	61.86	59.39	27.94	22.86
TBD	34997-2009	20	0.64mm	A	16	0.64mm	A	56.78	54.31	27.94	17.78
34997-7010	34997-2010	20	0.64mm	A	8	0.64mm	A	51.70	49.23	27.94	12.70
34997-7011	34997-2011	20	0.64mm	B	8	0.64mm	A	51.70	49.23	27.94	12.70
TBD	34997-2012	12	0.64mm	A	12	0.64mm	C	46.62	44.15	17.78	17.78
34997-7013	34997-2013	20	0.64mm	B	20	0.64mm	C	66.94	64.47	27.94	27.94
34997-7014	34997-2014	10	HYBRID	B	10	HYBRID	A	66.94	64.47	27.94	27.94
TBD	34997-2015	12	0.64mm	B	16	0.64mm	A	51.70	49.23	17.78	22.86
34997-7016	34997-2016	10	HYBRID	B	20	0.64mm	A	66.94	64.47	27.94	27.94
34997-7017	34997-2017	16	0.64mm	B	16	0.64mm	C	56.78	54.31	22.86	22.86
TBD	34997-2018	14	HYBRID	A	10	HYBRID	A	66.94	64.47	27.94	27.94
TBD	34997-2019	12	0.64mm	A	20	0.64mm	B	56.78	54.31	17.78	27.94
TBD	34997-2020	10	HYBRID	B	12	0.64mm	A	56.78	54.31	27.94	17.78
TBD	34997-2021	12	0.64mm	A	8	0.64mm	B	41.54	39.07	17.78	12.70
TBD	34997-2022	10	HYBRID	A	12	0.64mm	A	56.78	54.31	27.94	17.78

2 BAY STAC64 RIGHT ANGLE HEADER ASSEMBLY (P/N: 34997-2000 SHOWN)



NOTES: VALID UNLESS OTHERWISE SPECIFIED

1. GENERAL:

a. CONNECTOR HEADER MUST BE VALIDATED TO THE FOLLOWING FUNCTIONAL REQUIREMENTS:

PRODUCT SPECIFICATION:
8-20 CKT 0.64 PRODUCT SPEC: PS-34729-020/PS-31408-100
10/14CKT HYBRID PRODUCT SPEC: PS-34696-100

b. APPLICATION REQUIREMENTS (REFERENCE ONLY):

APPLICATION SPECIFICATION: AS-34729-020/AS-31408-100

c. PACKAGING SPECIFICATION PER MOLEX DRAWING PK-31300-892 (TRAY)
d. PACKAGING SPECIFICATION PER MOLEX DRAWING PK-31301-063 (TUBE)

2. DESIGN: MATERIALS:

a. SHROUD (PLASTIC HOUSING):
RESIN - SPS 30%GF

HOUSING COLOR:
BLACK - POLARIZATION 'A'
GREY - POLARIZATION 'B'
BROWN - POLARIZATION 'C'
GREEN - POLARIZATION 'D'

b. 0.64mm PINS:
BASE MATERIAL: C26000
PLATING TYPE: AS NOTED

c. 1.5/2.8mm BLADES:
BASE MATERIAL: C19400
PLATING TYPE: AS NOTED

3. PLATING REQUIREMENTS:

a. UNDERPLATING - OVERALL NICKEL

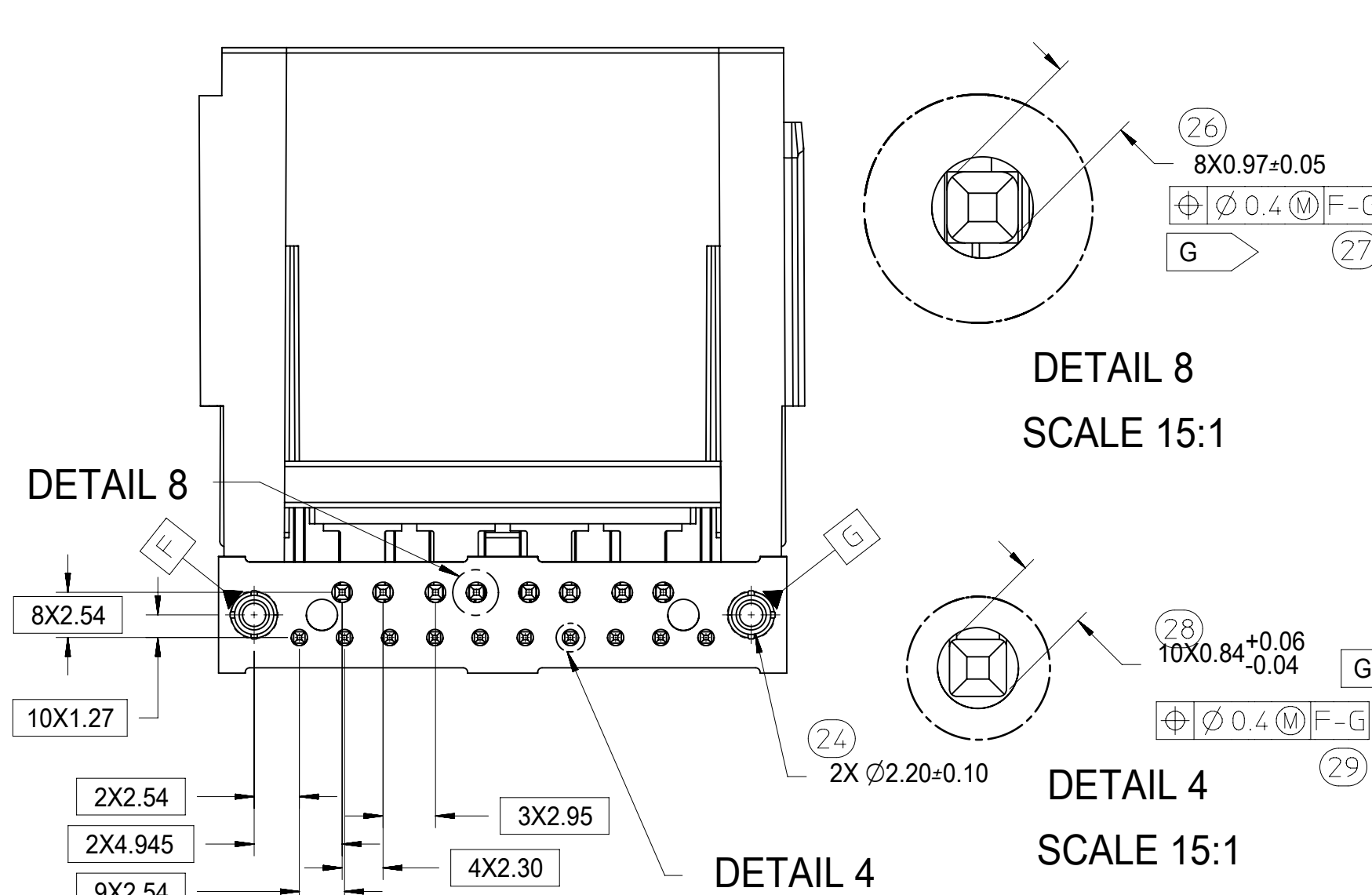
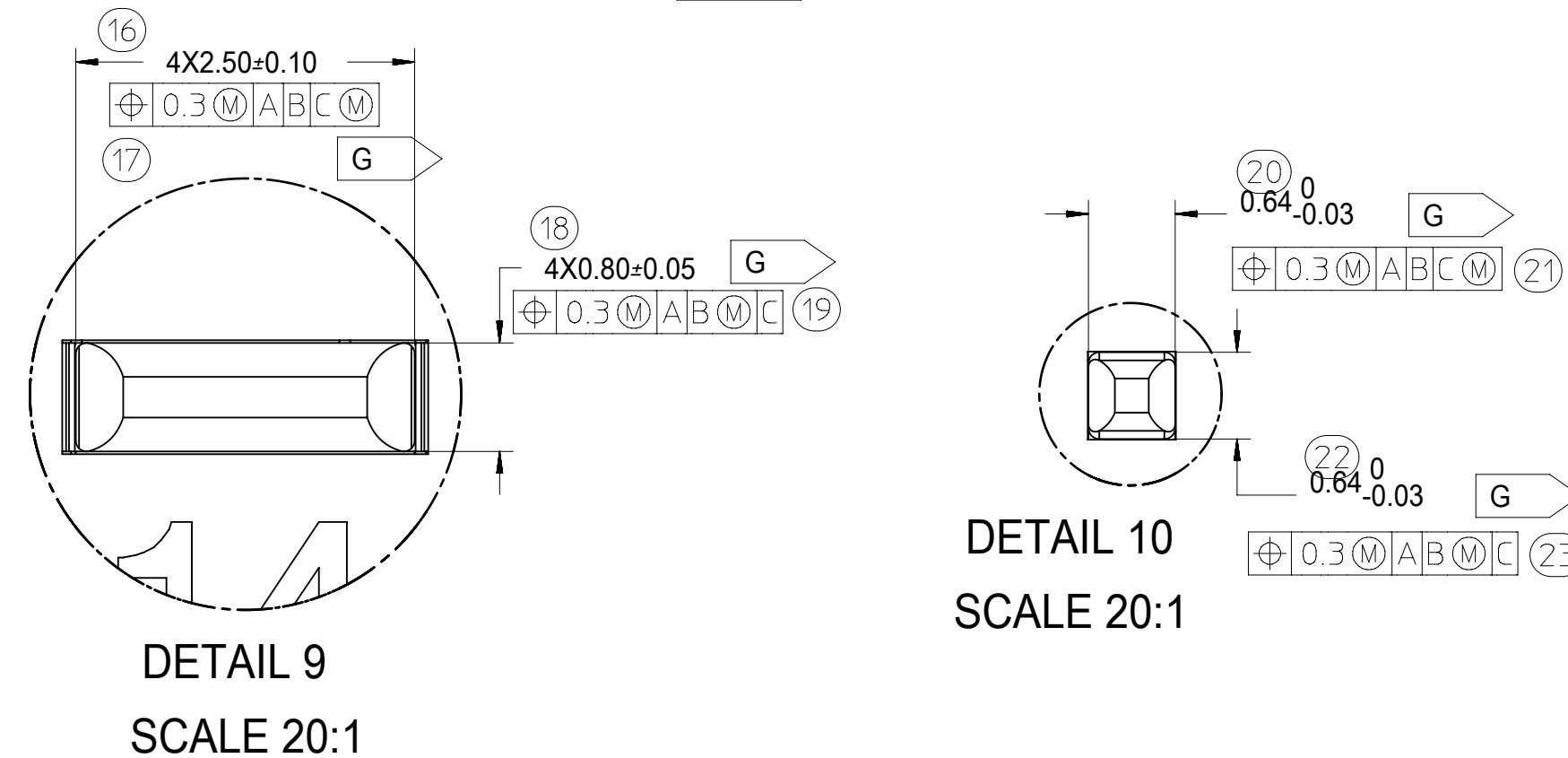
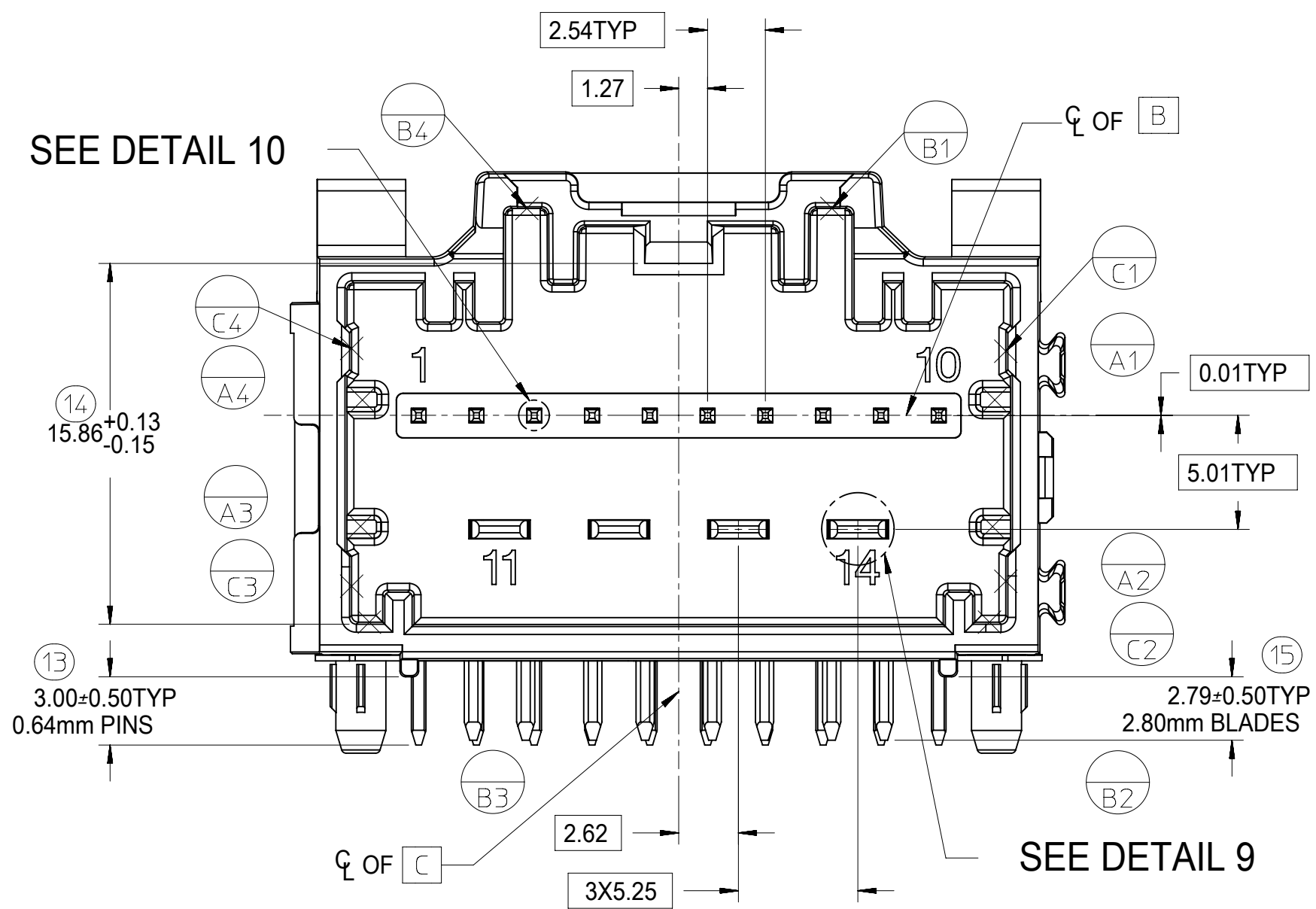
b. OVERPLATING - OVERALL TIN

4. FOR ADDITIONAL INFORMATION AND DIMENSIONS OF INDIVIDUAL BAYS
REFER TO THE FOLLOWING SINGLE BAY DRAWINGS:

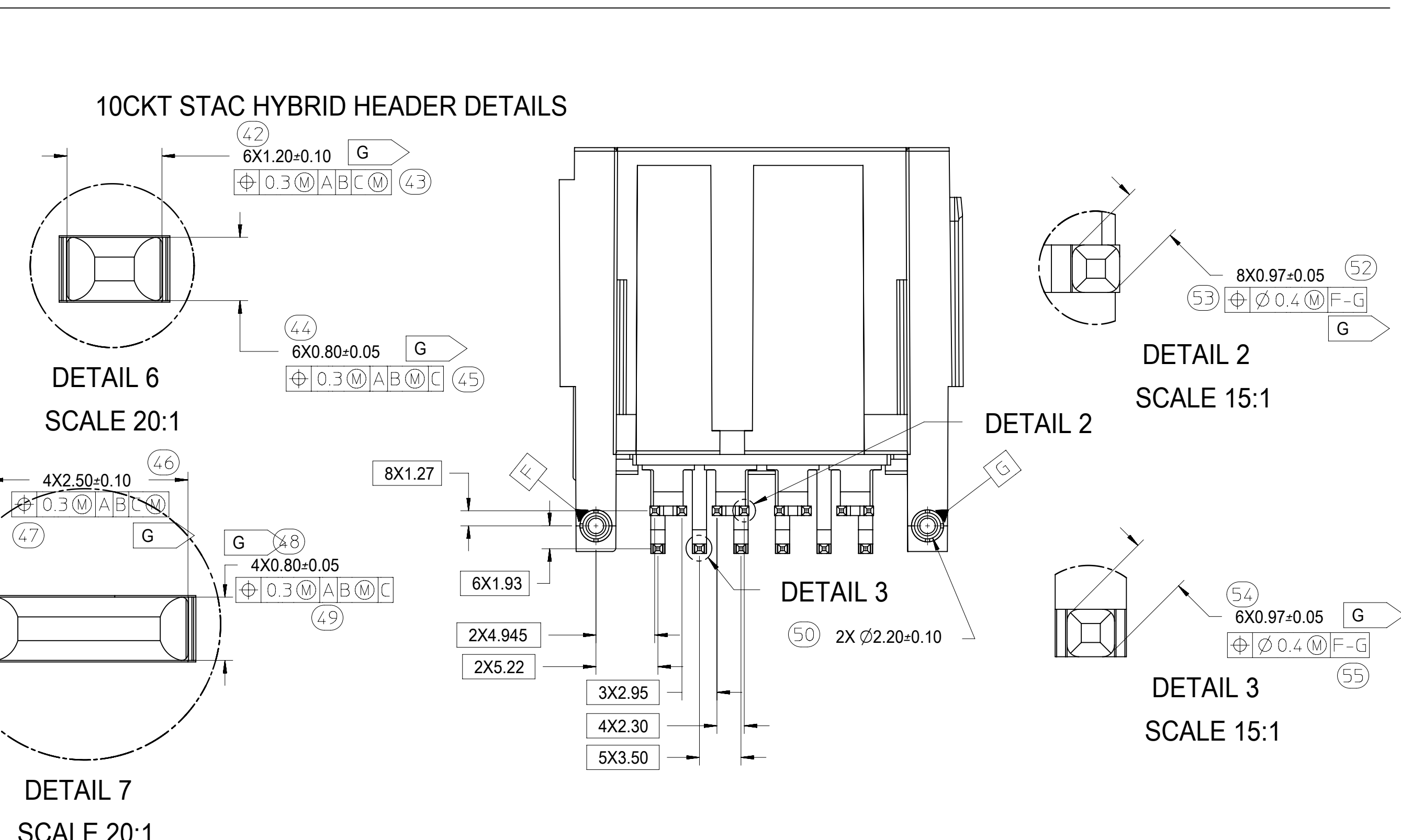
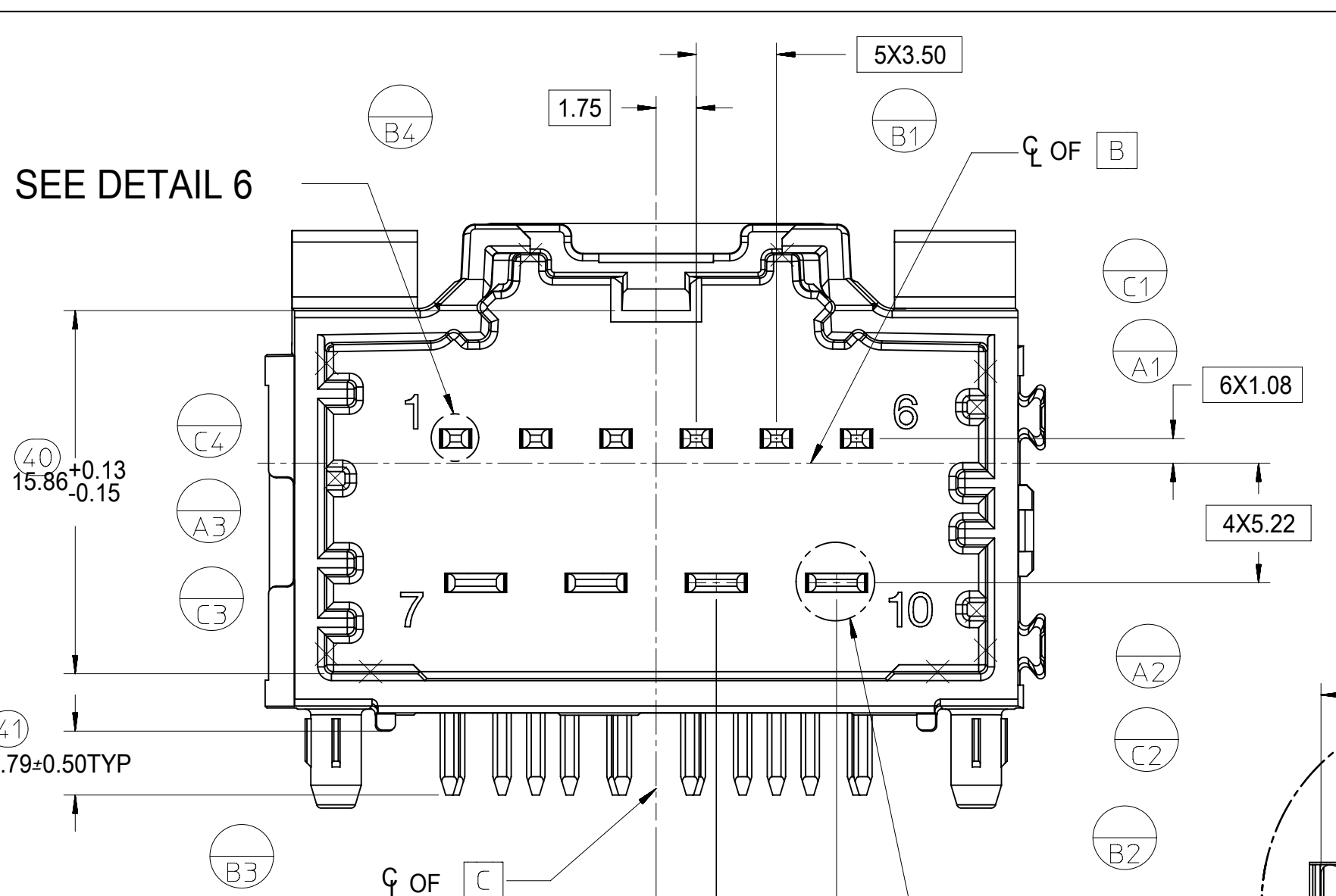
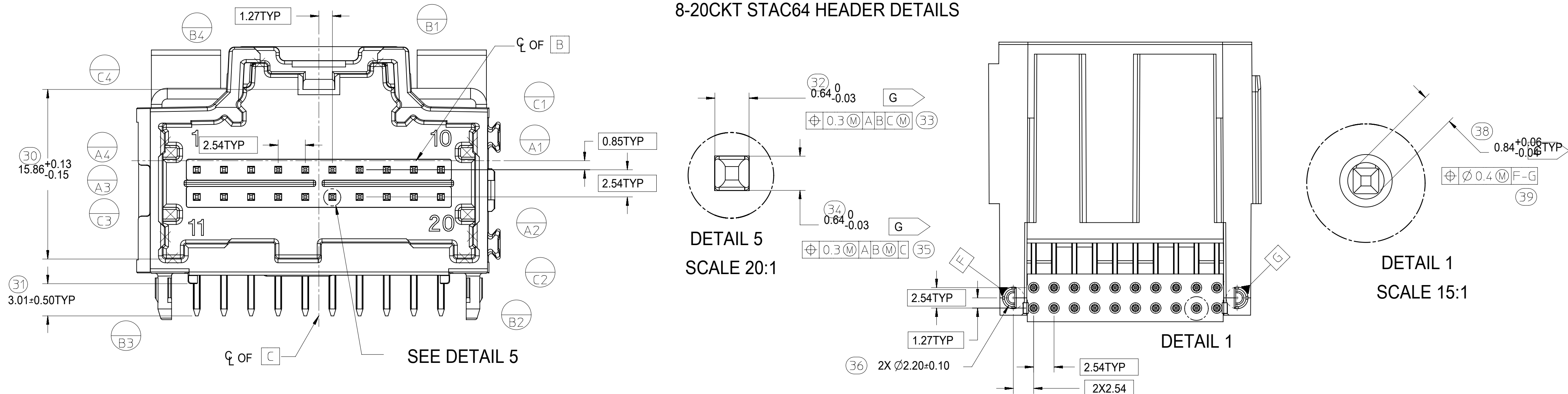
8-20 CKT 0.64: SD-34691-601
10CKT HYBRID: SD-34696-100
14CKT HYBRID: SD-34773-010

SYMBOLS	THIS DRAWING CONTAINS INFORMATION THAT IS PROPRIETARY TO MOLEX ELECTRONIC TECHNOLOGIES, LLC AND SHOULD NOT BE USED WITHOUT WRITTEN PERMISSION		CURRENT REV DESC: ADDED NEW P/N 34997-2022 (10HA AND 12A)			
	DIMENSION UNITS	SCALE				
▽ = 0	mm	4:1			2-BAY STAC64 RIGHT ANGLE PAP LONG PIN HEADER ASSEMBLY SALES DRAWING	
▽ = 0	GENERAL TOLERANCES (UNLESS SPECIFIED)					
▽ = 0	ANGULAR TOL	± 1.0°	EC NO: 618886		PRODUCT CUSTOMER DRAWING	
▽ = 0	4 PLACES	±	DRWN: SHANDITHAVAL 2019/06/11			
▽ = 0	3 PLACES	±	CHK'D: RBAUMAN 2019/06/11		DOCUMENT NUMBER SD-34997-200	
▽ = 0	2 PLACES	± 0.13	APPR: RBAUMAN 2019/06/11			
▽ = 0	1 PLACE	± 0.25	INITIAL REVISION:		DOC TYPE PSD	
▽ = 0	0 PLACES	±	DRWN: JFISCHER01 2013/05/28			
▽ = 0	DRAFT WHERE APPLICABLE MUST REMAIN WITHIN DIMENSIONS		THIRD ANGLE PROJECTION	DRAWING	SERIES	DOC PART 001
▽ = 0				D-SIZE	34997	
DOCUMENT STATUS			P1	RELEASE DATE	2019/06/11 20:37:32	MATERIAL NUMBER SEE TABLE
						SHEET NUMBER 1 OF 3

14CKT STAC HYBRID HEADER DETAILS



8-20CKT STAC64 HEADER DETAILS



SYMBOLS	THIS DRAWING CONTAINS INFORMATION THAT IS PROPRIETARY TO MOLEX ELECTRONIC TECHNOLOGIES, LLC AND SHOULD NOT BE USED WITHOUT WRITTEN PERMISSION		
	DIMENSION UNITS	SCALE	CURRENT REV DESC: ADDED NEW P/N 34997-2022 (10HA AND 12A)
▽ = 0	mm	4:1	
▽ = 0	GENERAL TOLERANCES (UNLESS SPECIFIED)		
▽ = 0	ANGULAR TOL	± 1.0°	
▽ = 0	4 PLACES	±	
▽ = 0	3 PLACES	±	
▽ = 0	2 PLACES	± 0.13	
▽ = 0	1 PLACE	± 0.25	
▽ = 0	0 PLACES	±	
■ = 0	DRAFT WHERE APPLICABLE MUST REMAIN WITHIN DIMENSIONS		
▽ = 0	THIRD ANGLE PROJECTION	DRAWING	SERIES
		D-SIZE	34997
MATERIAL NUMBER		CUSTOMER	SHEET NUMBER
SEE TABLE		GENERAL MARKET	3 OF 3

molex

2-BAY STAC64 RIGHT ANGLE
PAP LONG PIN HEADER ASSEMBLY SALES
DRAWING

PRODUCT CUSTOMER DRAWING

DOCUMENT NUMBER	DOC TYPE	DOC PART	REVISION
SD-34997-200	PSD	001	J5

DOCUMENT STATUS	P1	RELEASE DATE	2019/06/11 20:37:32
-----------------	----	--------------	---------------------