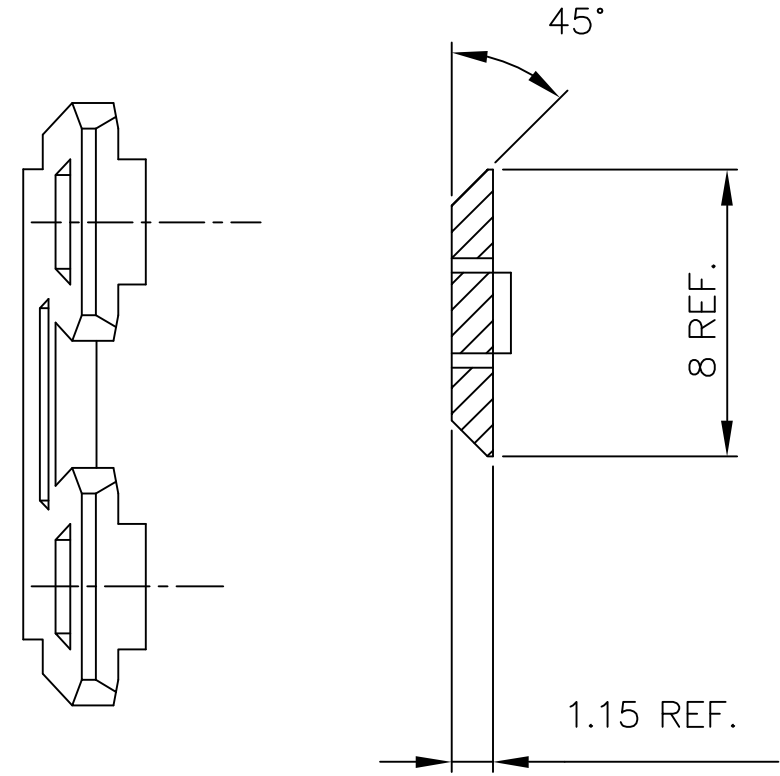
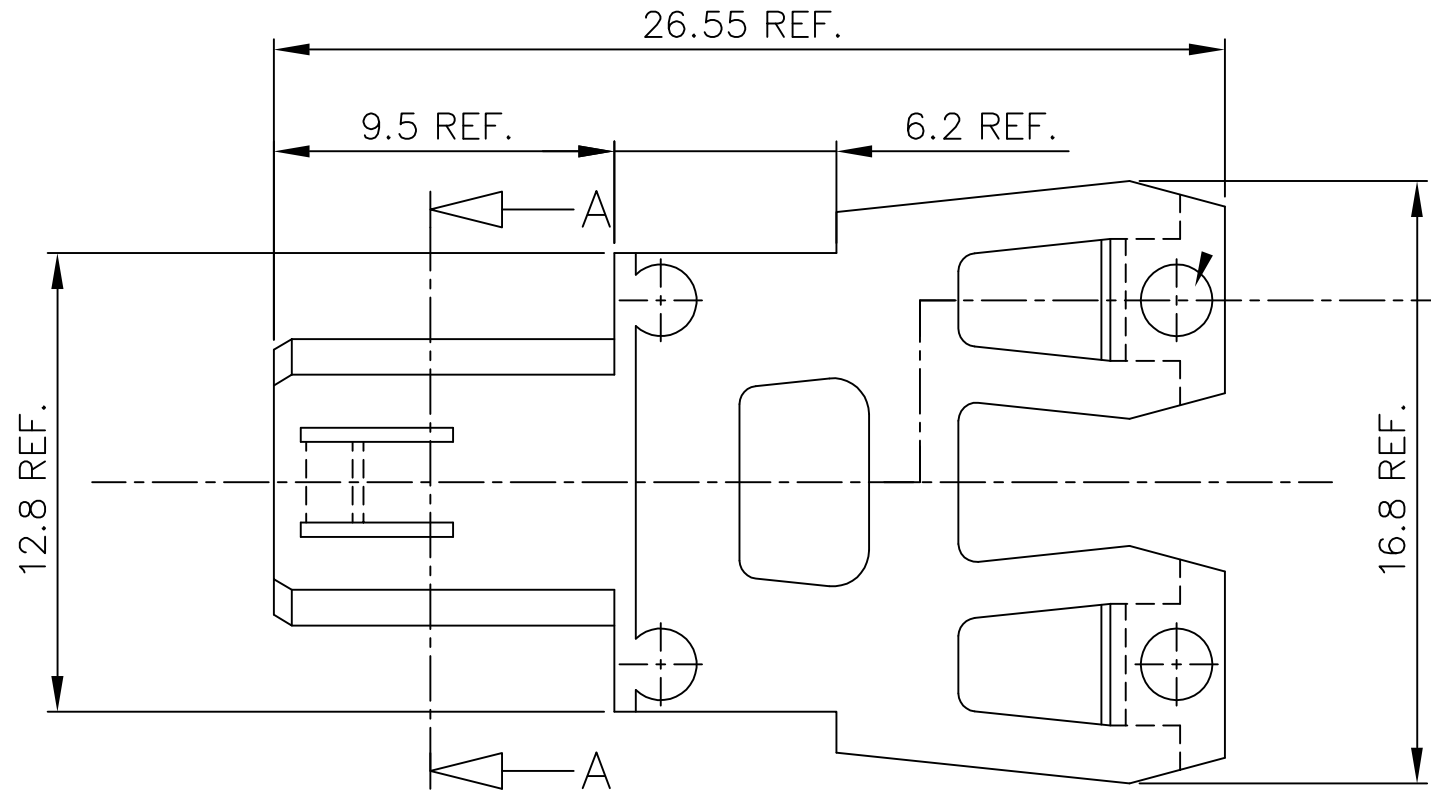
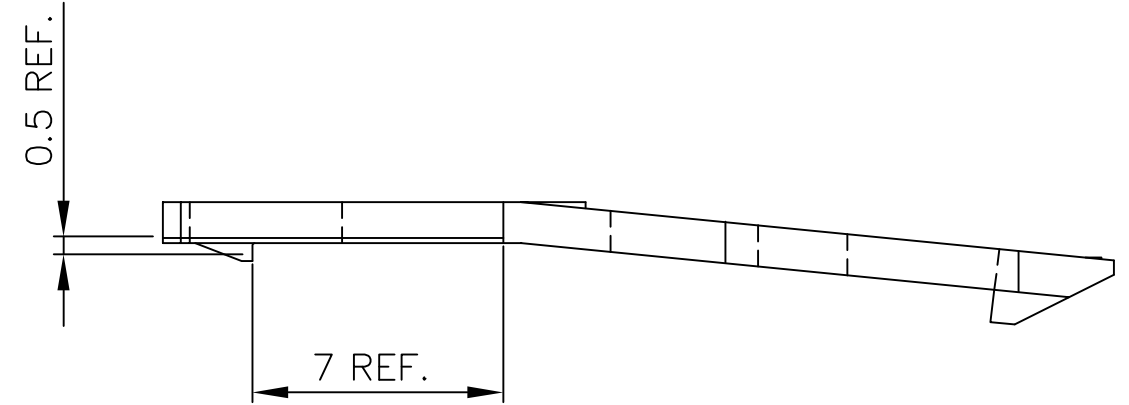


Product number  
85450-001

- NOTES:-
1. THIS PRODUCT MEETS EUROPEAN UNION DIRECTIVES AND OTHER COUNTRY REGULATIONS AS DESCRIBED IN GS-22-008.
  2. LEADFREE OR RoHS DIRECTIVE LABELLING TO BE PROVIDED AS PER GS-14-920.
  3. " LF " SUFFIX TO PRODUCT NUMBER FOR RoHS COMPATIBLE/ LEADFREE VERSION.
  4. PARTS WITH AND WITHOUT "LF " SUFFIX ARE FORM-FIT AND FUNCTIONALLY IDENTICAL. " LF " SUFFIX PROVIDED FOR PART NUMBER STANDARDISATION OF PART THAT MEETS RoHS REQUIREMENTS.



Section A-A



Material: PBT Thermoplastic Polyester 30% glass filled flame retardant per UL-94-V0, Colour grey.

mat'l. code		surface		tolerance		projection		product family	
SEE NOTE		ISO 1302		ISO 406 ISO 1101		mm		BACKPANEL	
ltr	ecn no	dr	date	tolerances unless otherwise specified		mm		title	
C	H70306	BKU	1997-05-13	angles	linear	mm		LOCKING LATCH	
D	F00406	LLA	2000-05-22			scale -			
E	I05-0123	MINI	2005-07-27						
F	I05-0248	MINI	2005-11-22	dr	D.LEGRAND	2000-10-10		dwg no	
G	I06-0083	MINI	2006-06-01	enr	J.F.NOTTEAU	2000-10-10		sheet 1 of 1	
				chr	RAKHEE GEORGE	2006-06-01		size	
				appd	RAKHEE GEORGE	2006-06-01		A3	
sheet index		revision	G					type	
		sheet	1					Product Customer Drawing	



Copyright FCI