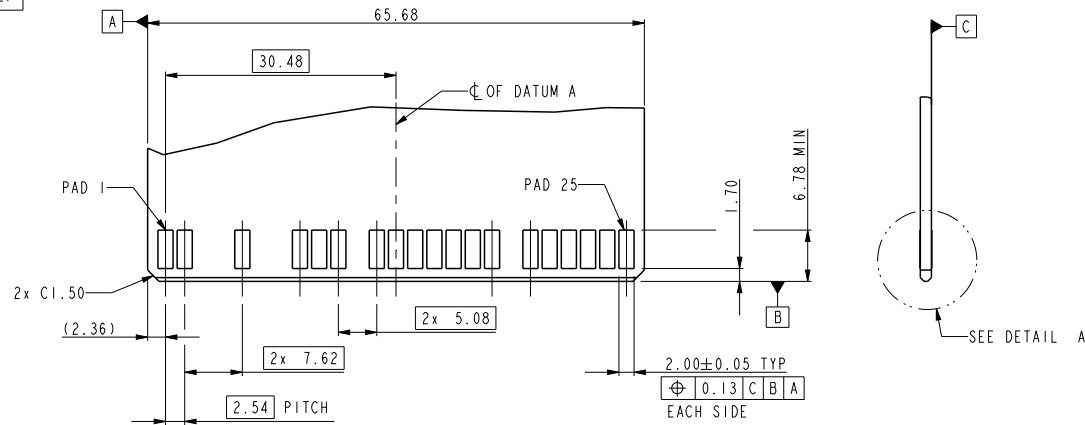
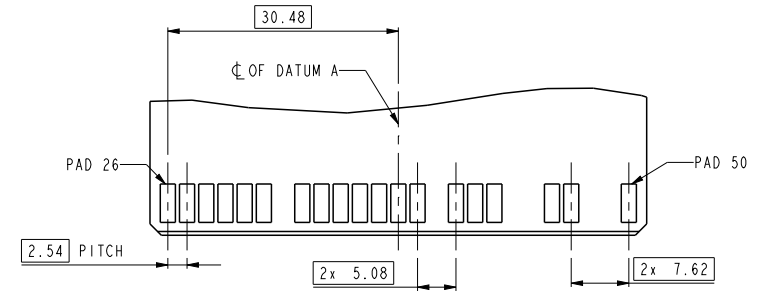


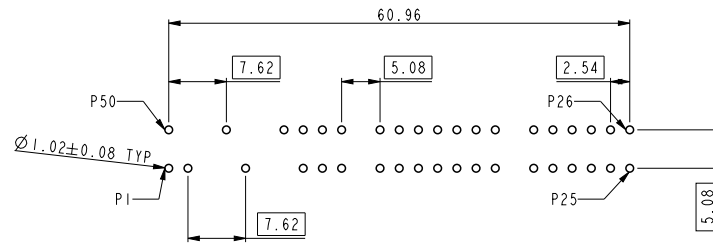
PRODUCT NO
10046971-050LF



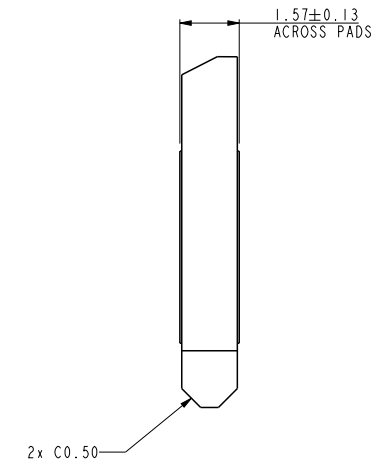
RECOMMENDED EDGE CARD



EDGE CARD BACK VIEW



RECOMMENDED HOST BOARD
THICKNESS IS 3.18mm



DETAIL A
SCALE 5.000

dr	Hai-Ling Liu	2014/09/10	projection 	MM ←→	size	A4	scale	1.000
eng	Hai-Ling Liu	2015/01/06			ecn no	ELX-DG-19896-1		
chr	-	-			rel level	Released		
appr	Pei-Ming Zheng	2015/01/07	product family		rev	10046971-050		B
www.fci.com		cat. no.	*	Product - Customer Drw		sheet 2 of 2		

