

1534807-1 ✓ ACTIVE

AMPLIMITE

TE Internal #: 1534807-1

Shielded, Single or Dual Cable Entry, Zinc, Straight, Shell Size 2, 15
Position

[View on TE.com >](#)



Connectors > Connector Accessories > Connector Backshells



Connector Backshell Product Style: **Shielded**
Connector Backshell Product Type: **Single or Dual Cable Entry**
Primary Product Material: **Zinc**
Body Orientation: **Straight**
Compatible With Connector Shell Size: **2**

Features

Product Type Features

Connector Backshell Product Style	Shielded
Connector Backshell Product Type	Single or Dual Cable Entry

Configuration Features

Number of Positions	15
---------------------	----

Body Features

Primary Product Material	Zinc
Cable Exit Angle	45°

Mechanical Attachment

Thread Size	14702
-------------	-------

Housing Features

Body Orientation	Straight
Compatible With Connector Shape	D-Shaped

Dimensions

Compatible Insulation Diameter Range	4.8 – 11 mm [.189 – .433 in]
--------------------------------------	------------------------------



Operation/Application

Compatible With Connector Shell Size	2
--------------------------------------	---

Packaging Features

Packaging Quantity	10
Packaging Method	Bag

Product Compliance

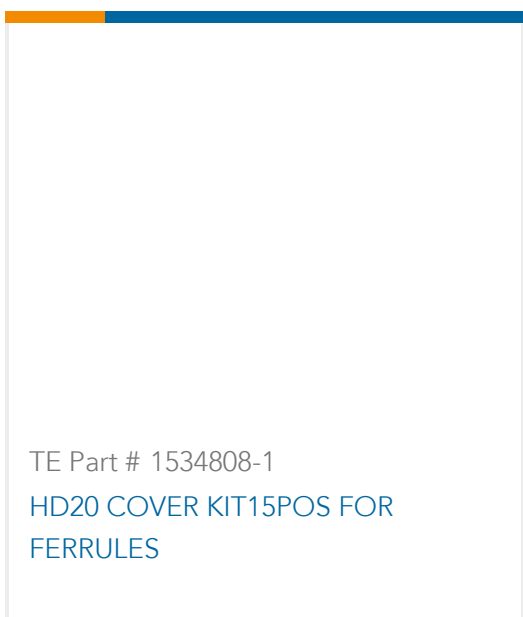
[For compliance documentation, visit the product page on TE.com>](#)

EU RoHS Directive 2011/65/EU	Compliant
EU ELV Directive 2000/53/EC	Compliant
China RoHS 2 Directive MIIT Order No 32, 2016	No Restricted Materials Above Threshold
EU REACH Regulation (EC) No. 1907/2006	Current ECHA Candidate List: JUNE 2023 (235) Candidate List Declared Against: JAN 2023 (233) Does not contain REACH SVHC
Halogen Content	Low Halogen - Br, Cl, F, I < 900 ppm per homogenous material. Also BFR/CFR/PVC Free
Solder Process Capability	Not applicable for solder process capability

Product Compliance Disclaimer

This information is provided based on reasonable inquiry of our suppliers and represents our current actual knowledge based on the information they provided. This information is subject to change. The part numbers that TE has identified as EU RoHS compliant have a maximum concentration of 0.1% by weight in homogenous materials for lead, hexavalent chromium, mercury, PBB, PBDE, DBP, BBP, DEHP, DIBP, and 0.01% for cadmium, or qualify for an exemption to these limits as defined in the Annexes of Directive 2011/65/EU (RoHS2). Finished electrical and electronic equipment products will be CE marked as required by Directive 2011/65/EU. Components may not be CE marked. Additionally, the part numbers that TE has identified as EU ELV compliant have a maximum concentration of 0.1% by weight in homogenous materials for lead, hexavalent chromium, and mercury, and 0.01% for cadmium, or qualify for an exemption to these limits as defined in the Annexes of Directive 2000/53/EC (ELV). Regarding the REACH Regulation, the information TE provides on SVHC in articles for this part number is based on the latest European Chemicals Agency (ECHA) 'Guidance on requirements for substances in articles' posted at this URL: <https://echa.europa.eu/guidance-documents/guidance-on-reach>

Compatible Parts

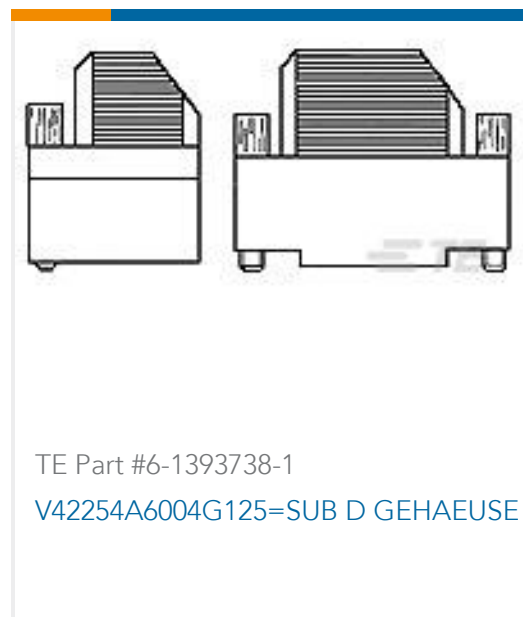


TE Part # 1534808-1
HD20 COVER KIT 15 POS FOR
FERRULES

Customers Also Bought



TE Part #166053-1
COSI PIN CONTACT HD20 DF; 24-20
AWG



TE Part #6-1393738-1
V42254A6004G125=SUB D GEHAUSE



TE Part #3-644460-5
05P MTA156 CONN ASSY 18AWG
ORA



TE Part #8-1393117-9
KUP-14A35-240=KU



TE Part #T1506033000-000
H3A-MAG-EMC



TE Part #1534809-1
HD20 COVER KIT 25 POS WITH CABLE



TE Part #1-103734-5
16 MTE RCPT SR LATCH .100CL



TE Part #BSA085N00580100000
923 PLUG, SPEEDTEC



TE Part #952050-E
VORCSI SRC CRIMP ZANGE- ROLLE
284070 J 3

Documents

Product Drawings

HD20 COVER KIT 15P

English

CAD Files

3D PDF

English

Customer View Model

ENG_CVM_1534807-1_B1.2d_dxf.zip



English

Customer View Model

[ENG_CVM_1534807-1_B1.3d_igs.zip](#)

English

Customer View Model

[ENG_CVM_1534807-1_B1.3d_stp.zip](#)

English

By downloading the CAD file I accept and agree to the [Terms and Conditions](#) of use.

Product Specifications

[Application Specification](#)

German

Product Environmental Compliance

[Product Compliance](#)

English

[Product Compliance](#)

English