

# Precision Test Adapters

## 1.0 mm(M) to 1.85 mm(F)

withwave

Versatile RF & MW Test Solutions

**Withwave's Precision Test Adapters** are designed based on precision microwave interconnection technologies.

This 1.0 mm(M) to 1.85 mm(F) adapter is manufactured to precise microwave specifications and constructed with male gender on side 1 and female gender side 2.

The precision microwave connector interfaces ensure an excellent microwave performance up to 67 GHz



### ■ Features

- Frequency range : DC to 67 GHz
- VSWR : 1.2: 1(Max) @ 67 GHz
- Stainless steel (passivated)

### ■ Specification

| Scope      | Specification        | AD00M01FS1                    |
|------------|----------------------|-------------------------------|
| Electrical | Impedance(Ohm)       | 50                            |
|            | Operation Freq.(GHz) | DC to 67 GHz                  |
|            | VSWR (Max)           | 1.2 : 1                       |
| Material   | Dielectric           | Special dielectric            |
|            | Center Contact       | BeCu with gold plated         |
|            | Body                 | Passivated<br>Stainless Steel |

\* RoHS Compliant

# Precision Test Adapters

## 1.0 mm(M) to 1.85 mm(F)

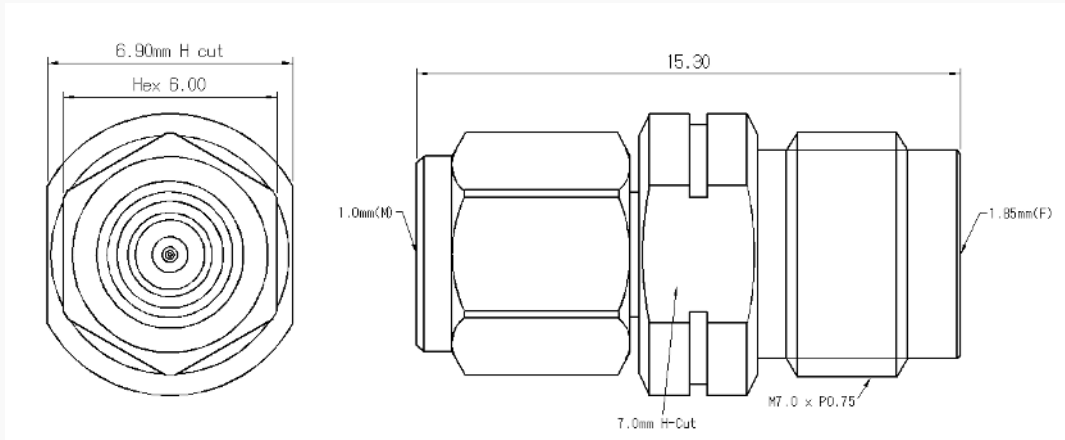
withwave

Versatile RF & MW Test Solutions

### ■ Drawing

Part No.: AD00M01FS1

Unit : mm



### ■ Test Result

▪ Frequency : 10 MHz to 67 GHz

