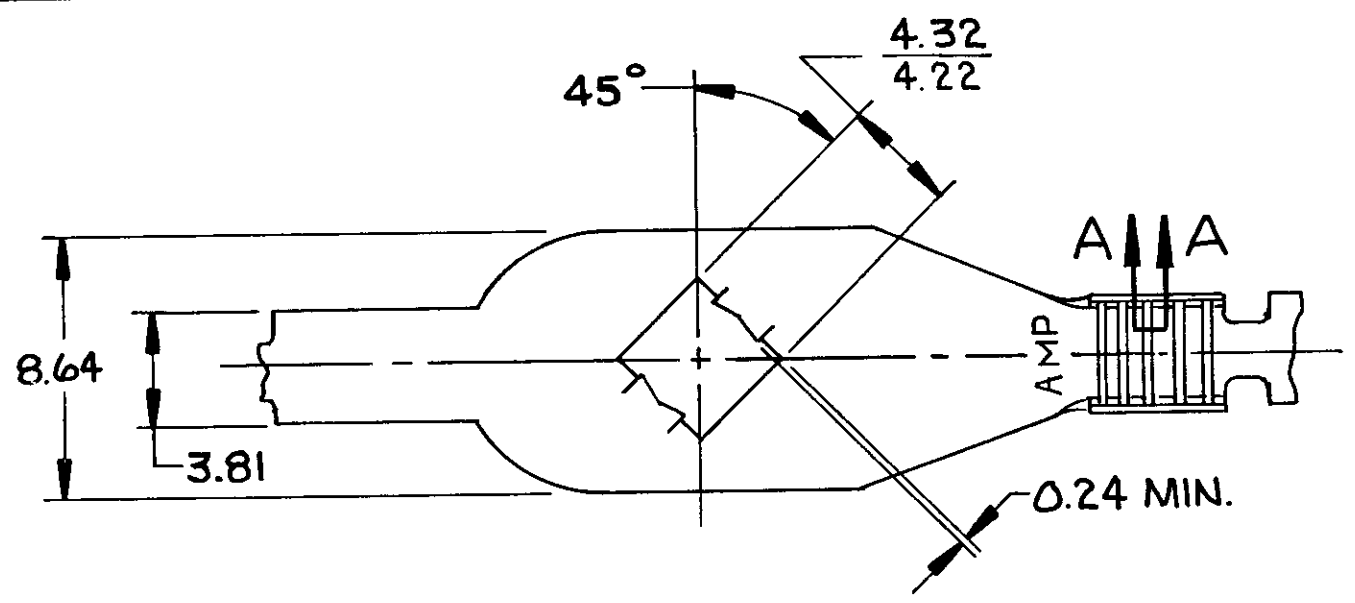
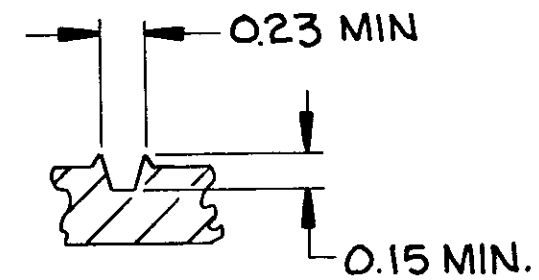
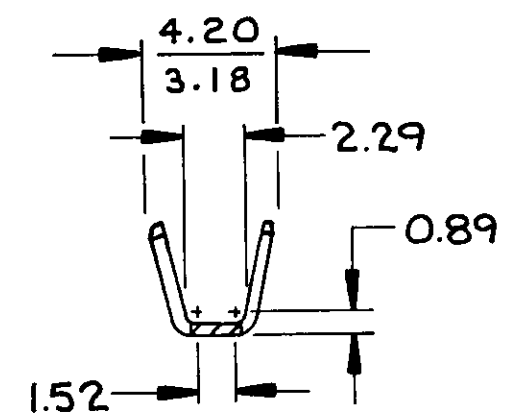
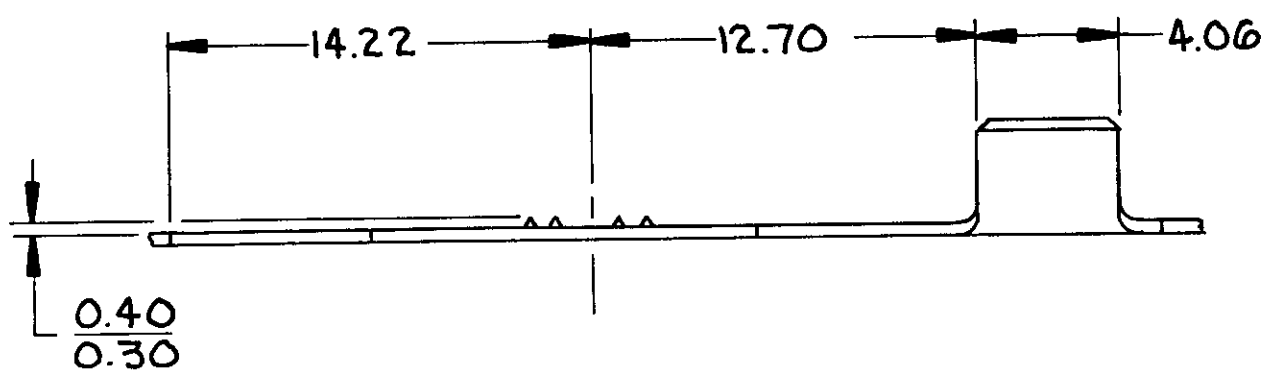


THIS DRAWING IS UNPUBLISHED. RELEASED FOR PUBLICATION, 19
 © COPYRIGHT 19 BY AMP INCORPORATED, HARRISBURG, PA. ALL INTERNATIONAL RIGHTS RESERVED. AMP PRODUCTS MAY BE COVERED BY U.S. AND FOREIGN PATENTS AND/OR PATENTS PENDING.

REVISIONS						
P	F	ZONE	LTR	DESCRIPTION	DATE	APPROVED
			O	RLSD -1 PER PR CM 88-7	2/23/88	TB /RS
				REVISED PER CM 1583		
			A	REV PER 0710-0427-95	24/SEP/85	PMF



1. WIRE RANGE: 2600-4900 CMA.



SECTION A-A
TYP. SERRATION

METRIC

770392-1
PART NO

UNLESS OTHERWISE SPECIFIED DIMENSIONS ARE IN INCHES. MM TOLERANCES ON: DECIMALS ± 0.40 ANGLES ± 1°	CONTRACT NO	AMP AMP INCORPORATED Harrisburg, Pa.	
	DR <i>Whitaker 1-17-86</i>	NAME TERMINAL, STUD RETAINING, AMPLIVAR™	
MATERIAL 0.50 BRASS	CHK <i>Don Crane 17 Jan 86</i>	APPD <i>Don Crane 17 Jan 86</i>	DRAWING NO 770392
FINISH	DSGN APPD	OTHER APPD	SCALE 4:1
			FSCM NO 00779
			SHEET 1 OF 1