

BACA-AMP-243 ✓ ACTIVE

AMP SLIM

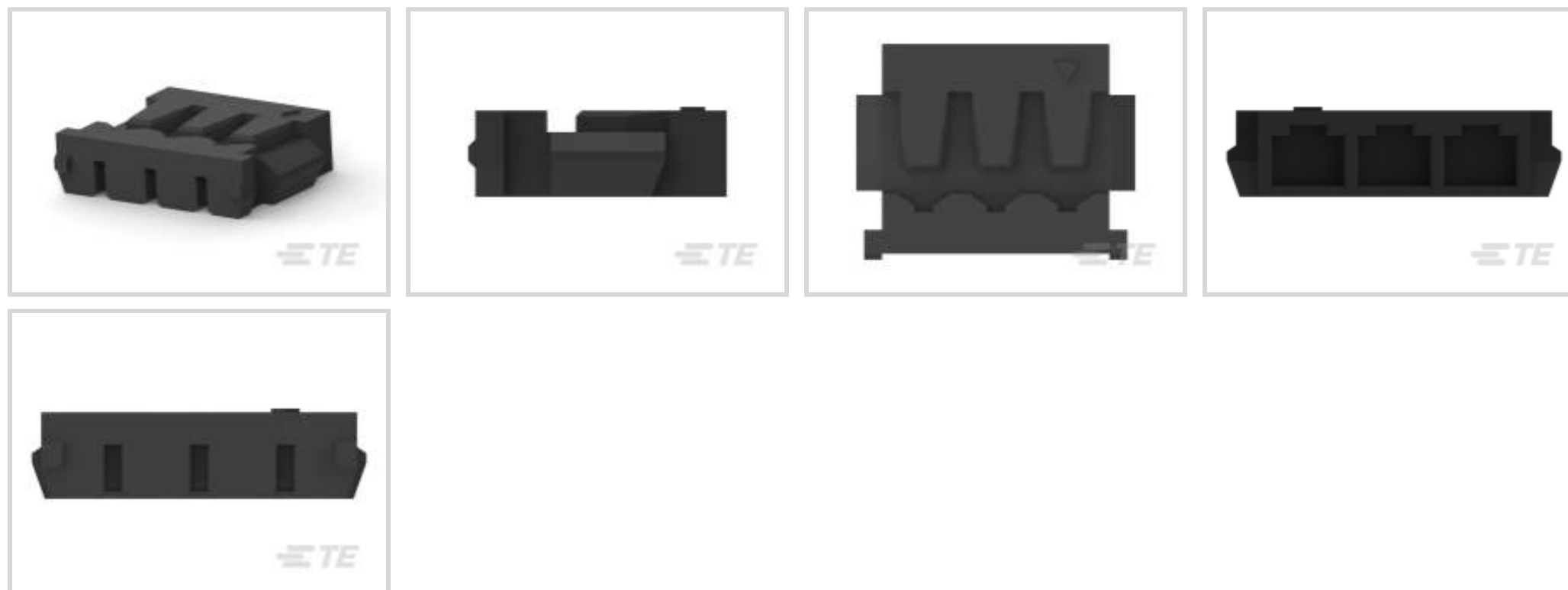
TE Internal #: 1909783-2

Housing, Receptacle, Wire-to-Board, 3 Position, .047 in [1.2 mm]
Centerline, Crimp, 1 Row, Black, Mating Retention, Wire & Cable,
AMP SLIM

[View on TE.com >](#)



Connectors > PCB Connectors > Wire-to-Board Connectors > Wire-to-Board Connector Assemblies & Housings



Connector Product Type: **Housing**

Connector & Housing Type: **Receptacle**

Connector System: **Wire-to-Board**

Number of Positions: **3**

Centerline (Pitch): **1.2 mm [.047 in]**

Features

Product Type Features

Connector Product Type	Housing
Connector & Housing Type	Receptacle
Connector System	Wire-to-Board
Sealable	No
Connector & Contact Terminates To	Wire & Cable

Configuration Features

Number of Positions	3
Number of Rows	1

Electrical Characteristics

Operating Voltage	50 VAC
-------------------	--------

Body Features

Primary Product Color	Black
-----------------------	-------

Contact Features

--	--



Contact Layout	Inline
Contact Type	Socket
Contact Current Rating (Max)	3 A

Termination Features

Termination Method to Wire & Cable	Crimp
------------------------------------	-------

Mechanical Attachment

Strain Relief	Without
Panel Mount Feature	Without
PCB Mount Retention	Without
Mating Retention Type	Latch
Mating Retention	With
Connector Mounting Type	Cable Mount (Free-Hanging)

Housing Features

Housing Entry Configuration	Both Ends Closed
Housing Material	PA 66
Centerline (Pitch)	1.2 mm[.047 in]

Dimensions

Connector Length	4.66 mm[.183 in]
Connector Height	1.2 mm[.047 in]
Connector Width	3.5 mm[.138 in]

Usage Conditions

Operating Temperature Range	-25 – 85 °C[-13 – 185 °F]
-----------------------------	---------------------------

Operation/Application

Circuit Application	Power & Signal
---------------------	----------------

Industry Standards

UL Flammability Rating	UL 94V-0
------------------------	----------

Packaging Features

Packaging Quantity	1000
Packaging Method	Bag

Product Compliance

[For compliance documentation, visit the product page on TE.com>](#)



EU RoHS Directive 2011/65/EU	Compliant
EU ELV Directive 2000/53/EC	Compliant
China RoHS 2 Directive MIIT Order No 32, 2016	No Restricted Materials Above Threshold
EU REACH Regulation (EC) No. 1907/2006	Current ECHA Candidate List: JUNE 2023 (235) Candidate List Declared Against: JUNE 2023 (235) Does not contain REACH SVHC
Halogen Content	Low Halogen - Br, Cl, F, I < 900 ppm per homogenous material. Also BFR/CFR/PVC Free
Solder Process Capability	Not applicable for solder process capability

Product Compliance Disclaimer

This information is provided based on reasonable inquiry of our suppliers and represents our current actual knowledge based on the information they provided. This information is subject to change. The part numbers that TE has identified as EU RoHS compliant have a maximum concentration of 0.1% by weight in homogenous materials for lead, hexavalent chromium, mercury, PBB, PBDE, DBP, BBP, DEHP, DIBP, and 0.01% for cadmium, or qualify for an exemption to these limits as defined in the Annexes of Directive 2011/65/EU (RoHS2). Finished electrical and electronic equipment products will be CE marked as required by Directive 2011/65/EU. Components may not be CE marked. Additionally, the part numbers that TE has identified as EU ELV compliant have a maximum concentration of 0.1% by weight in homogenous materials for lead, hexavalent chromium, and mercury, and 0.01% for cadmium, or qualify for an exemption to these limits as defined in the Annexes of Directive 2000/53/EC (ELV). Regarding the REACH Regulation, the information TE provides on SVHC in articles for this part number is based on the latest European Chemicals Agency (ECHA) 'Guidance on requirements for substances in articles' posted at this URL: <https://echa.europa.eu/guidance-documents/guidance-on-reach>

Compatible Parts



Also in the Series | **AMP SLIM**



PCB Headers & Receptacles(5)



Wire-to-Board Connector Assemblies & Housings(5)



Wire-to-Board Connector Contacts(1)

Customers Also Bought



TE Part #1-178128-3
DYNAMIC 3200 REC HSG 3P SGL



TE Part #1-1318119-3
DYNAMIC D-2100 REC HSG 6P



TE Part #1318105-1
DYNAMIC D-2000 REC CONT M



TE Part #350736-4
15P UMNL PLUG HSG UL94V0



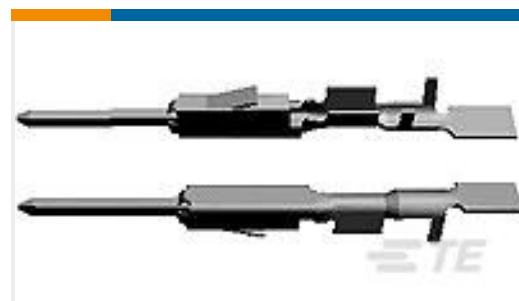
TE Part #1-280050-2
250 FASTON, FLAG, REC., 16-20 AWG, TPBR



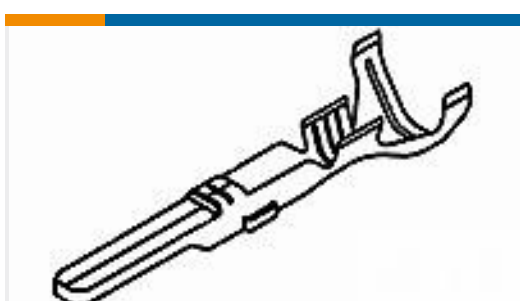
TE Part #1-66359-4
III+ PIN, 18-14, TIN, STRIP



TE Part #1-962916-2
TAB 2.8x0.8 CONTACT CS SWS Ag



TE Part #5-965908-1
MQS0,63 Sn tab LL EDS 0,5-0,75



TE Part #171631-1
E-J MK-2 070 TAB CONT



TE Part #31160
DG R 22-16 COMM 22-18 MIL 8

Documents

Product Drawings

[WIRE TO BOARD HOUSING 1.2MM TOP ENTRY](#)

English

CAD Files

[3D PDF](#)

[3D](#)

[Customer View Model](#)

[ENG_CVM_CVM_1909783-2_C.2d_dxf.zip](#)



English

Customer View Model

[ENG_CVM_CVM_1909783-2_C.3d_igs.zip](#)

English

Customer View Model

[ENG_CVM_CVM_1909783-2_C.3d_stp.zip](#)

English

By downloading the CAD file I accept and agree to the [Terms and Conditions](#) of use.

Product Specifications

[Application Specification](#)

English