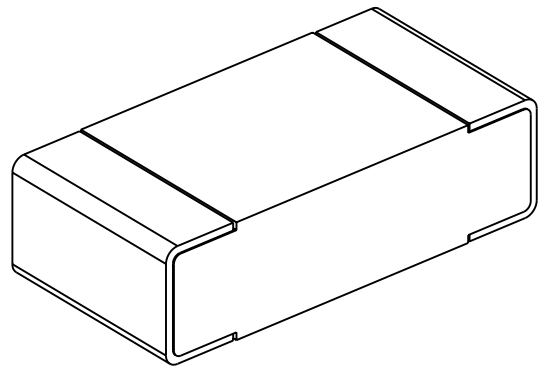
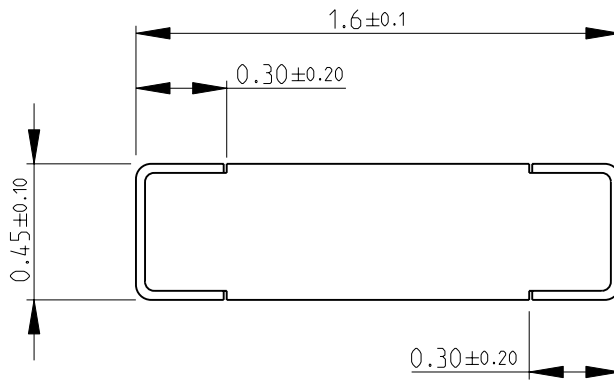
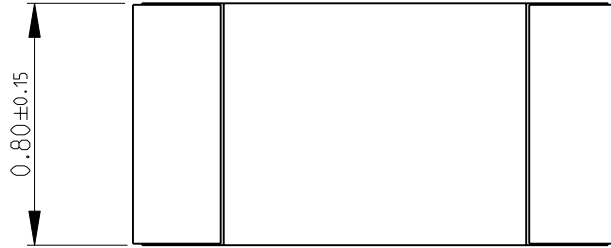


| LOC | DIST | REVISIONS | | | |
|-----|------|-------------|-----------|-----|------|
| P | LTR | DESCRIPTION | DATE | DWN | APVD |
| E | B | | | | |
| | BA | NEW RELEASE | 05-NOV-08 | SM | St.P |

FOR FURTHER INFORMATION SEE DATA SHEET FOR
CRG SERIES-THICK FILM CHIP RESISTORS



RoHS Compliant

2008

RELEASED FOR PUBLICATION

THIS DRAWING IS UNPUBLISHED.

BY TYCO ELECTRONICS CORPORATION. ALL RIGHTS RESERVED.

| | |
|--|------|
| DIMENSIONS: | |
| mm | |
| TOLERANCES UNLESS OTHERWISE SPECIFIED: | |
| 0 PLC | ±0.5 |
| 1 PLC | ±0.2 |
| 2 PLC | ±0.1 |
| 3 PLC | ±- |
| 4 PLC | ±- |
| ANGLES | ±5° |

| | | | | | |
|-------------------|-----------|--|-----------|------------|---------------|
| DWN SUBHASH.M | 05-NOV-08 | MATERIAL | - | FINISH | - |
| CHK PRAKASH.S | 05-NOV-08 | Tyco Electronics Corporation Dorcan, Swindon, SN3 5HH | | | |
| APVD STEPHEN.P | 05-NOV-08 | | | | |
| PRODUCT SPEC | - | NAME THICK FILM CHIP RESISTORS SERIES CRG 0603 | | | |
| APPLICATION SPEC | - | SIZE | CAGE CODE | DRAWING NO | RESTRICTED TO |
| WEIGHT | - | A 4 | 00779 | ©- 1623037 | - |
| CUSTOMER DRAWING | | | SCALE | SHEET | REV |
| | | | 40:1 | 1 OF 1 | BA |