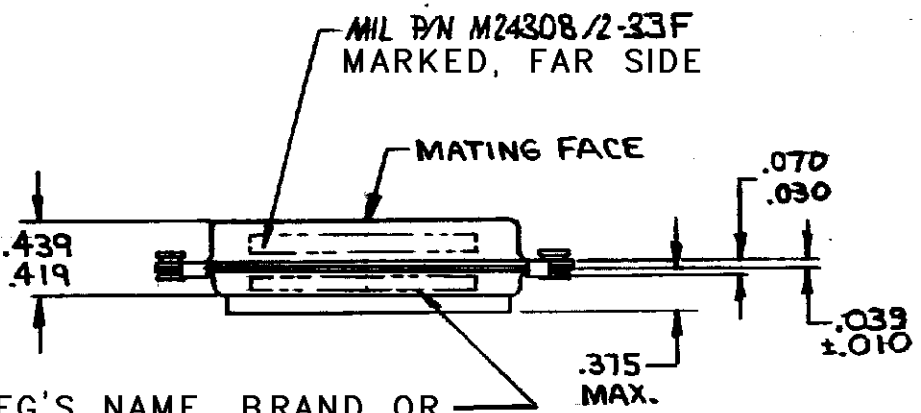
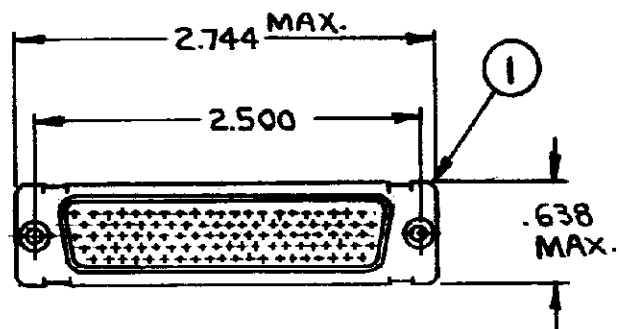


DRAWING MADE IN AMERICAN PROJECTION

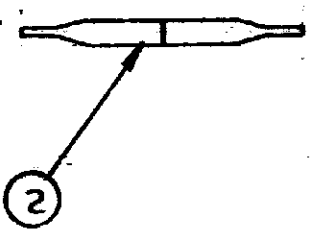
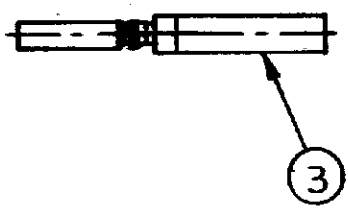
© 1970 BY AMP INCORPORATED. ALL RIGHTS RESERVED. AMP PRODUCTS COVERED BY PATENTS AND/OR PATENTS PENDING.

⚠ APPROPRIATE AMP P/N (KIT) IS MARKED ON PACKAGE

Unauthorized use not to be reproduced without written permission of AMP Inc.



MFG'S NAME, BRAND OR LOGO, MFG'S PART NO AND DATE CODE, MARKED FAR SIDE



REVISIONS				
ZONE	LTR	DESCRIPTION	DATE	APPROVED
	A	REV. & REDRAWN, RELEASED WAS 5066-168 PER ECN A-962	12/29/70	Lm/98
		NOTES ADDED, ECN B-011	2/4/71	98/98
	B	REV. PER ECN B-948	5/11/73	Lm/97
	B	REV. PER ECN E-342	5/6/76	Lm/98
	C	REV. PER ECN G-047	2/8/79	D/S/98
	D	REV PER ECN DF-0021, DF-DKD R2670	7-13-78	EAM
	E	REV PER DF-2511	T.W. 1/87	AZ
	F	ECO-08-023688	PY 11-08	BW

SUPD BY 204546-2 5 9/06/71

<input checked="" type="checkbox"/>	-	-	MILITARY P/N M24308/2-44 MARKED ON PACKAGE	
<input checked="" type="checkbox"/>	-	-	MILITARY P/N M24308/2-33F MARKED ON PACKAGE	
1	1	B	204351-1 CONTACT, SOCKET, SIZE 22 D	3
1	1	B	91067-1 INSERTION & EXTRACTION TOOL	2
1	1	A	204534-1 RECEPTACLE ASSY., SIZE #6	1
3	2	1	DMG NUMBER	NAME
				ITEM NO.

UNLESS OTHERWISE SPECIFIED DIMENSIONS ARE IN INCHES		CONTRACT NO. 12-29-70		AMP HARRISBURG, PENNSYLVANIA	
TOLERANCES ON:		DR. J. Morrison		NAME	
DECIMALS ± .015		1-19-71		KIT, "HDD" SERIES, RECEPTACLE, SIZE #6	
ANGLES ± #		D. Baer 1-19-71		SIZE CODE IDENT NO. NUMBER	
MATERIAL		R. Holliday 1-19-71		B 00779 204546	
OTHER APPD		DSCN APPD		REV F	
				SCALE # SHEET 1 OF 1	