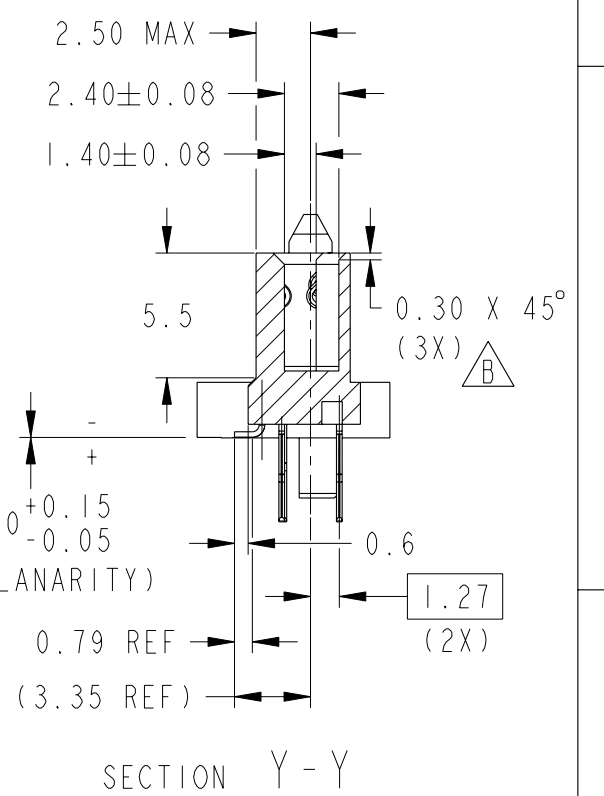
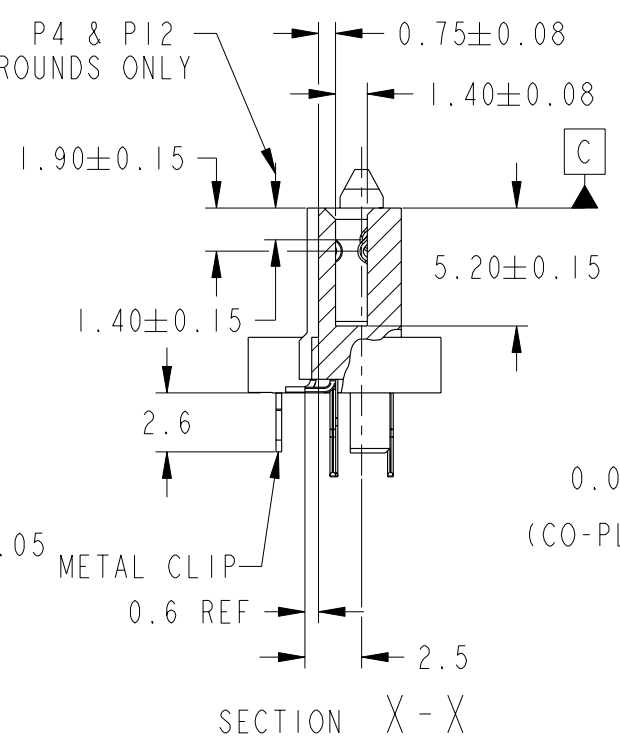
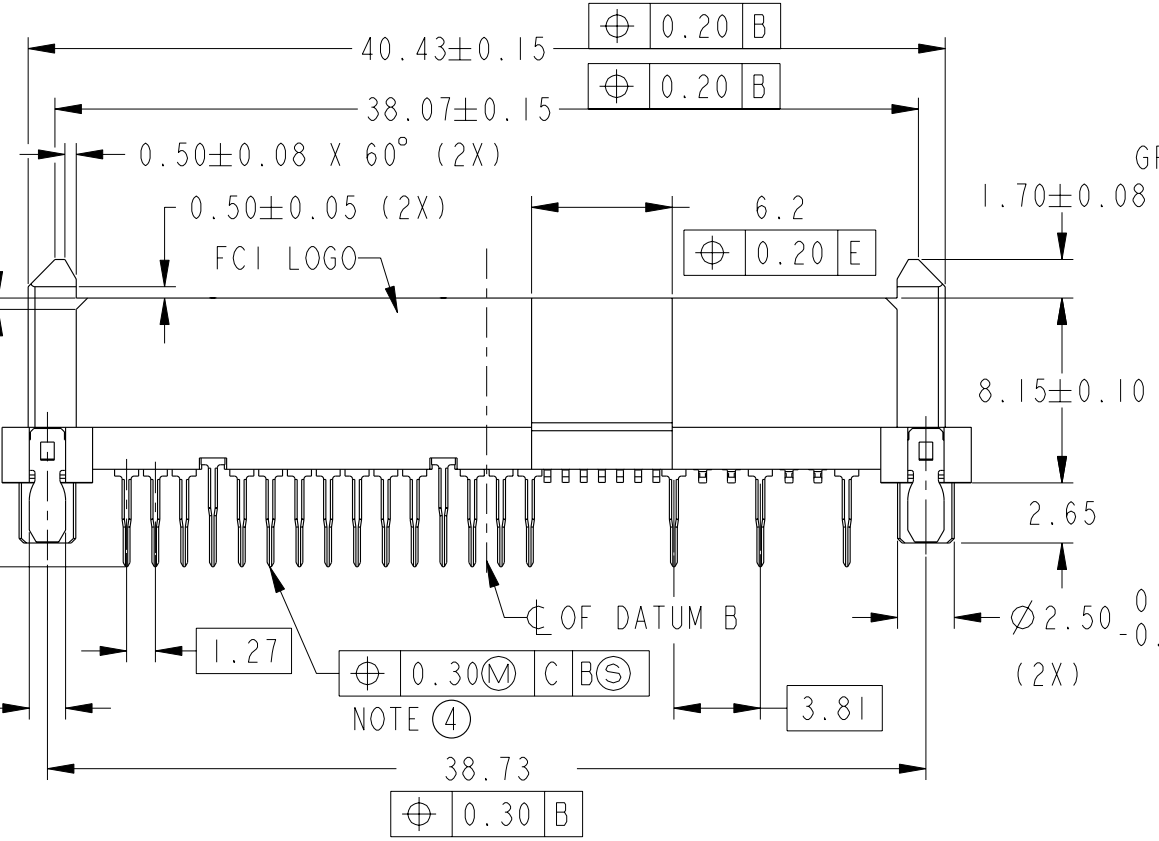
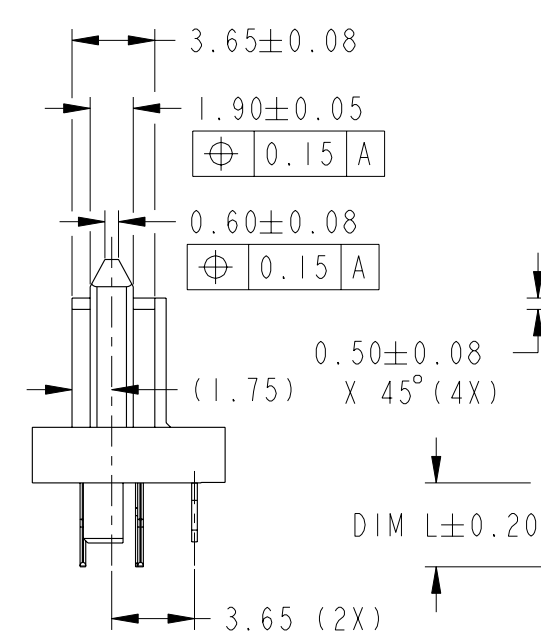
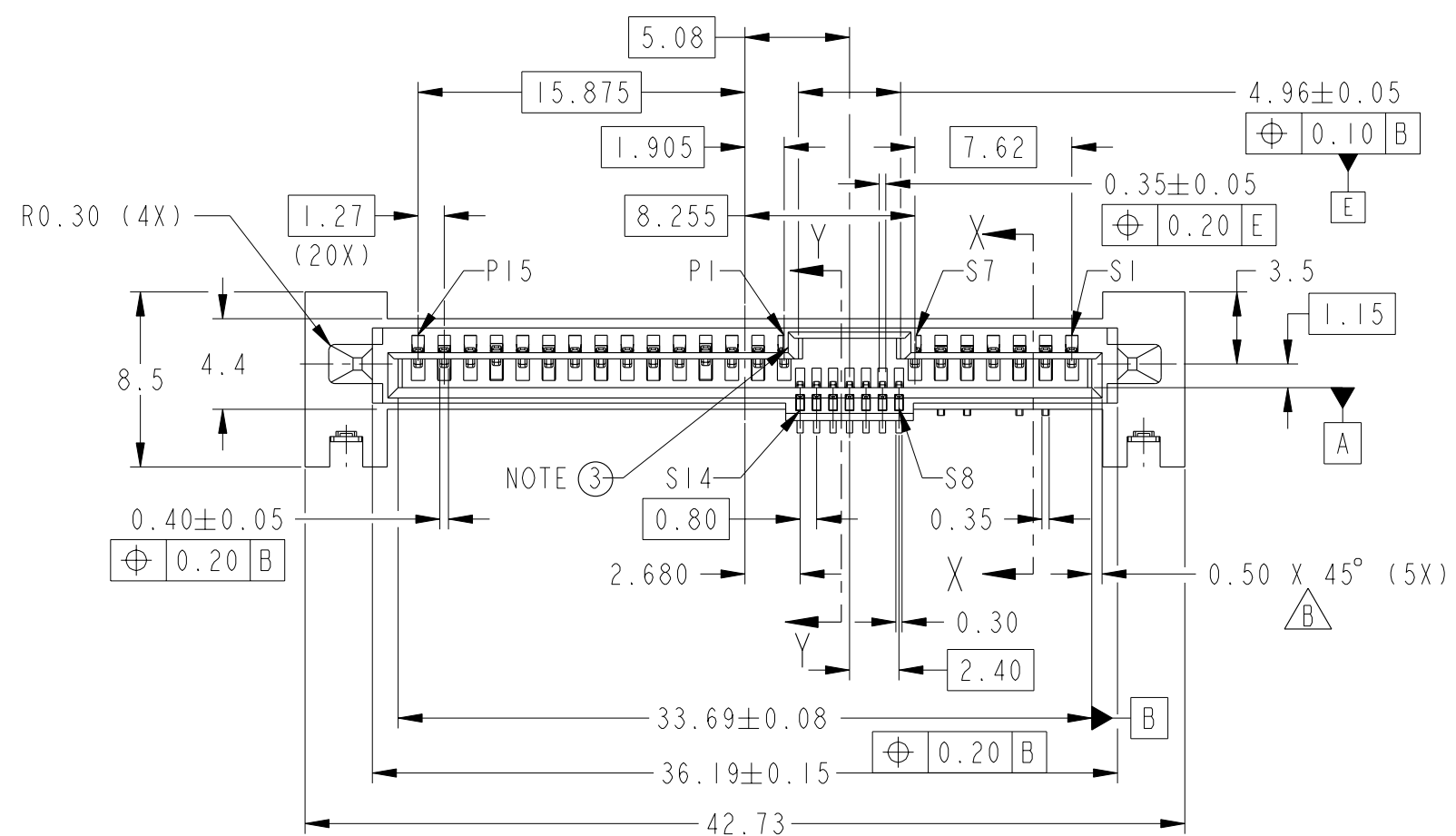


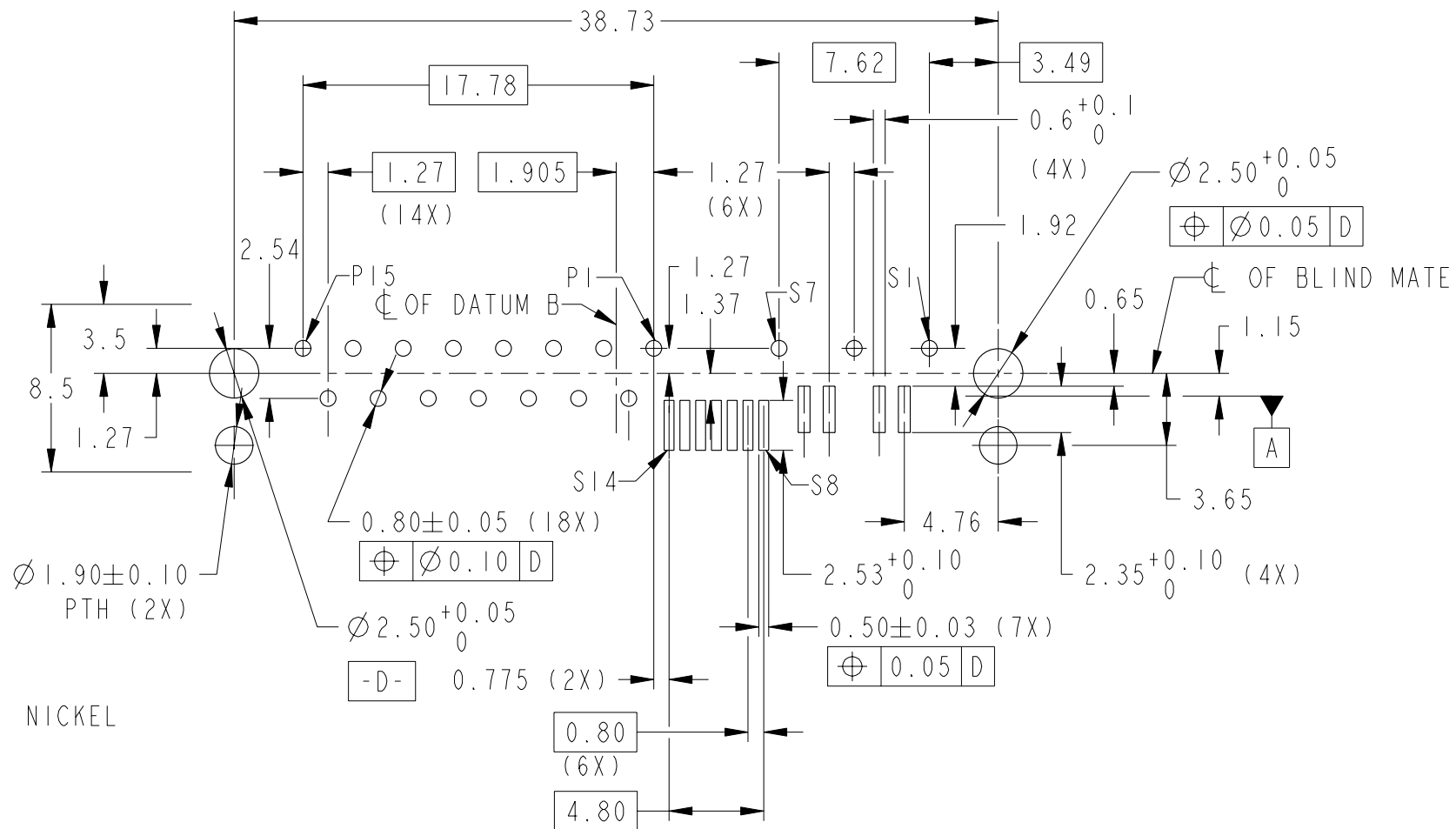
PRODUCT NO  
SEE TABLE



Copyright FCI.

spec ref	-	dr	GL LOO	2006-03-06	projection	MM	size	A3	scale	3:1
tolerance std	ISO 406 ISO 1101	eng	GL LOO	2006-03-06			ecn no	S10-0228	rel level	-
TOLERANCES UNLESS OTHERWISE SPECIFIED		chr	GL LOO	2010-10-28						
surface	ISO 1302	appr	JOEY NG	2010-10-28	SAS RECEPTACLE WIDE BASE HYBRID TYPE ASSY		dwg no	10058359	rev	B
					cat. no.	-	Product - Customer Drw	sheet 1 of 2		

PRODUCT NO	DIM L	RECOMMENDED P.C. BOARD THICKNESS
10058359-002LF	3.70	2.36mm (0.093") / 3.18mm (0.125")



**RECOMMENDED PCB LAYOUT**

**NOTES:**

1. MATERIAL:
  - 1) HOUSING : HIGH TEMP TERMOPLASTIC, UL 94V-0
  - COLOUR : BLACK
  - 2) TERMINAL : COPPER ALLOY
  - 3) HOLD DOWN : COPPER ALLOY
2. FINISH :
  - 1) TERMINAL : 30µ" Au PLATING (CONTACT POINT) OVER 50µ" NICKEL
  - 2) SOLDER TAIL : 50µ" MIN Sn OVER 50µ" NICKEL
  - 3) HOLD DOWN : 50µ" MIN Sn OVER 50µ" NICKEL
3. PER SFF REV 1.3
4. TRUE POSITION NOTES APPLY AT TERMINAL TIP.
5. THE STD PACKAGING IS IN TRAY
6. THE HOUSING WILL WITHSTAND EXPOSURE TO 260°C PEAK TEMPERATURE FOR 10 SECONDS IN A CONVECTION, INFRA-RED OR VAPOR PHASE REFLOW OVEN
7. THIS PRODUCT MEETS EUROPEAN UNION DIRECTIVES AND OTHER COUNTRY REGULATIONS AS DESCRIBED IN GS-22-008
8. A  $\triangle B$  SYMBOL WILL BE NEXT TO ANY DIMENSION, VIEW, OR NOTE WHICH HAS BEEN MODIFIED WITH THE CURRENT DRAWING REVISION.



Copyright FCI.

spec ref	-	dr	GL LOO	2006-03-06	projection	MM	size	A3	scale	3:1	
tolerance std	ISO 406 ISO 1101	eng	GL LOO	2006-03-06			ecn no	S10-0228	rel level	-	
TOLERANCES UNLESS OTHERWISE SPECIFIED		chr	GL LOO	2010-10-28							
surface	ISO 1302	appr	JOEY NG	2010-10-28	product family	S-ATA	dwg no		10058359	rev	B
linear	0.X ±-			SAS RECEPTACLE WIDE BASE HYBRID TYPE ASSY		cat. no.		-	Product - Customer Drw		sheet 2 of 2
angular	0° ±2°	www.fci.com		PDS: Rev :B		STATUS:Released		Printed: Nov 01, 2011			